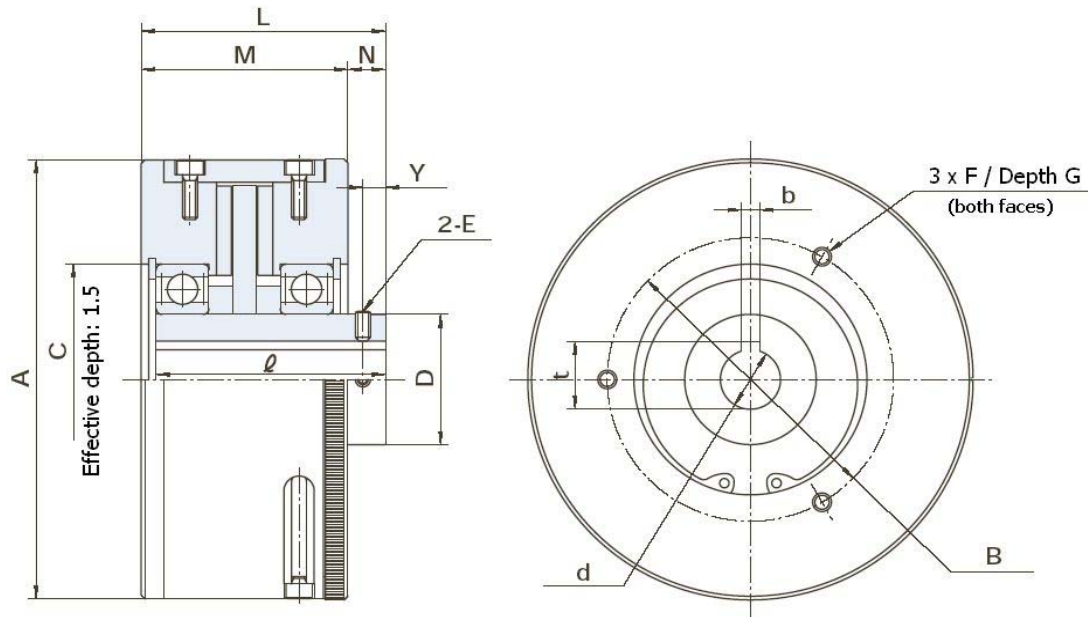


PET

PM Eddy-Current Torque Controller

Types: 1.2, 2.5, 5, 10

[PM: Permanent Magnet]



[Special Order]

PET		1.2	2.5	5	10
Torque Gain [in-lbs/rpm]		0.00018 ~ 0.00062	0.00044 ~ 0.0019	0.00044 ~ 0.0040	0.0013 ~ 0.0089
Torque Gain [gf-cm/rpm]		0.207 ~ 0.714	0.507 ~ 2.189	0.507 ~ 4.609	1.498 ~ 10.254
Max Slip Speed [rpm]		1800	1800	1800	1800
Max Slip Wattage [W]		9	9	10	14
Moment of Inertia (J) [kg-cm ²]	Body	0.7	2.05	4.08	11.43
	Shaft	0.078	0.22	0.35	1.05
Bore [mm]	dH7	6	6	8	15
	Length	35	36.2	39.6	51.5
Key Way [mm]	bJs9	-	-	3	5
	t+0.1/-0	-	-	9.4	17.3
Dimensions [mm]	A	47	60	70	82
	B	32	40	46	60
	CH7	22	28	28	47
	D	18	12	15	25
	E	M3	M3	M3	M4
	F	M3	M3	M3	M4
	L	38	39.2	42.6	55
	M	31	32.2	34.6	47.9
	N	7	7	8	7.1
	T	6	6	6	10
Y	3	3	4	3.5	
Weight [lbs]		0.66 / 0.30	1.1 / 0.5	1.7 / 0.8	3.2 / 1.5

[1" = 25.4mm]