

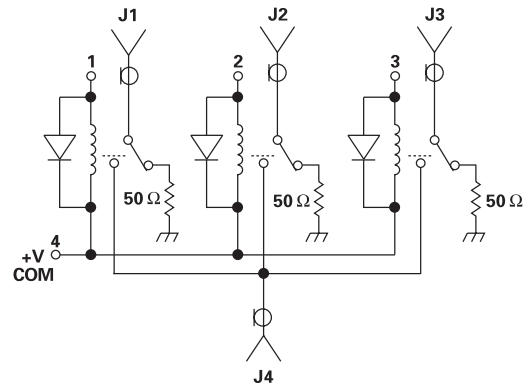
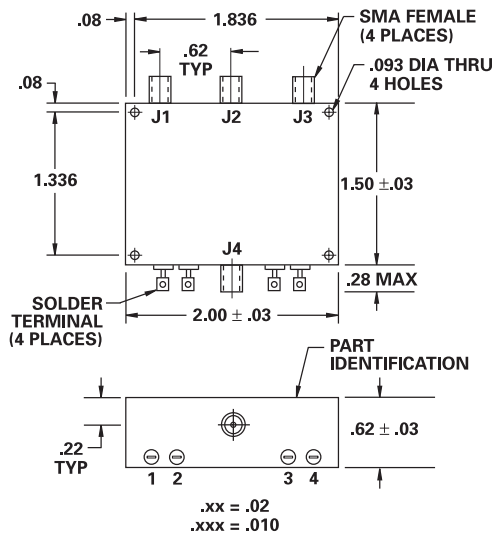
**MODEL NUMBER**  
**100C0612**

**SP3T Relay**

**FEATURES**

- DC-450 MHz
- 50Ω or 75Ω Terminations
- 20 Watts CW
- Non-Reflective
- SMA Connectors

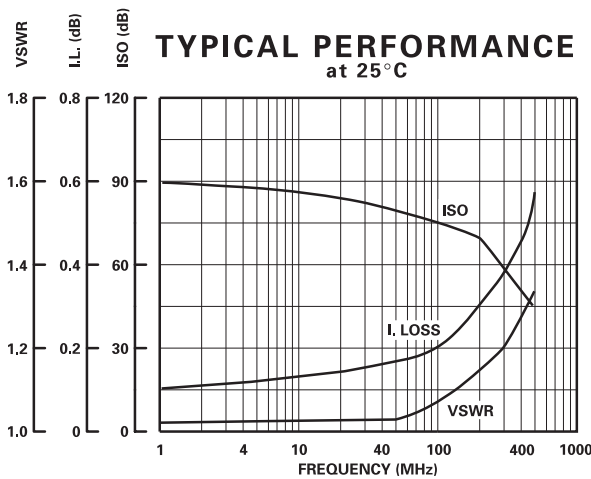
**SP3T**



**GUARANTEED PERFORMANCE**

Parameter	Min	Typ	Max	Units	Conditions
Operating Frequency	DC		450	MHz	
DC Voltage					See Table
Insertion Loss		0.3	0.4	dB	DC - 250 MHz
		0.5	0.6	dB	250 - 450 MHz
Isolation		60	64	dB	DC - 250 MHz
		45	52	dB	250 - 450 MHz
VSWR	Thru	1.15/1	1.2/1		DC - 250 MHz
		1.3/1	1.4/1		250 - 450 MHz
Impedance		50		OHMS	
Switching Speed			5	mSEC	
RF Power	Operate		20	W	CW
Operating Temperature	-55	+25	+85	°C	TA

**TYPICAL PERFORMANCE**  
at 25°C



**CONTROL VOLTAGE TABLE**

Voltage	Current - Typical
6	65 mA Per Throw
12	32 mA Per Throw
18	21 mA Per Throw
26	17 mA Per Throw

