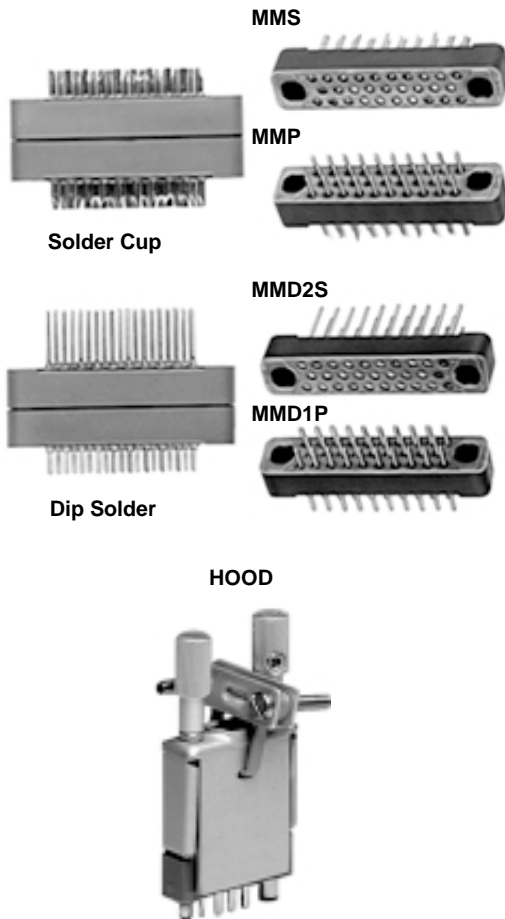




Rack and Panel Connectors

Military, MIL-C-28748/7/8 Qualified and Commercial
Microminiature Rectangular with Optional Hoods



FEATURES

- Qualified to MIL-C-28748/7/8.
- Solder cup contacts.
- Dip solder contacts.
- Fixed and turnable screwlocks.
- Optional closed entry socket contacts.

APPLICATIONS

Especially suited for use in airborne, instrumentation and portable equipment applications or wherever the following requirements must be met: Minimum space and weight without sacrifice of performance, high quality materials, long service life, high vibration and shock resistance and positive locking.

ELECTRICAL SPECIFICATIONS

Current Rating: Model MM22 = 5 amps.

Model MM24 = 3 amps.

Breakdown Voltage: At sea level: 2000 V RMS.

At 70,000 feet: 500 V RMS.

MATERIAL SPECIFICATIONS

Contact Pin: Phosphor bronze.

Contact Socket: Phosphor bronze. (Beryllium copper available on request.)

Contact Plating: Gold.

Screwlocks: Stainless steel, passivated.

Guides: Brass, gold plated or stainless steel, passivated.

Standard Body: Glass-filled diallyl phthalate per MIL-M-14, Model SDG-F, green.

DIMENSIONS in inches [millimeters]

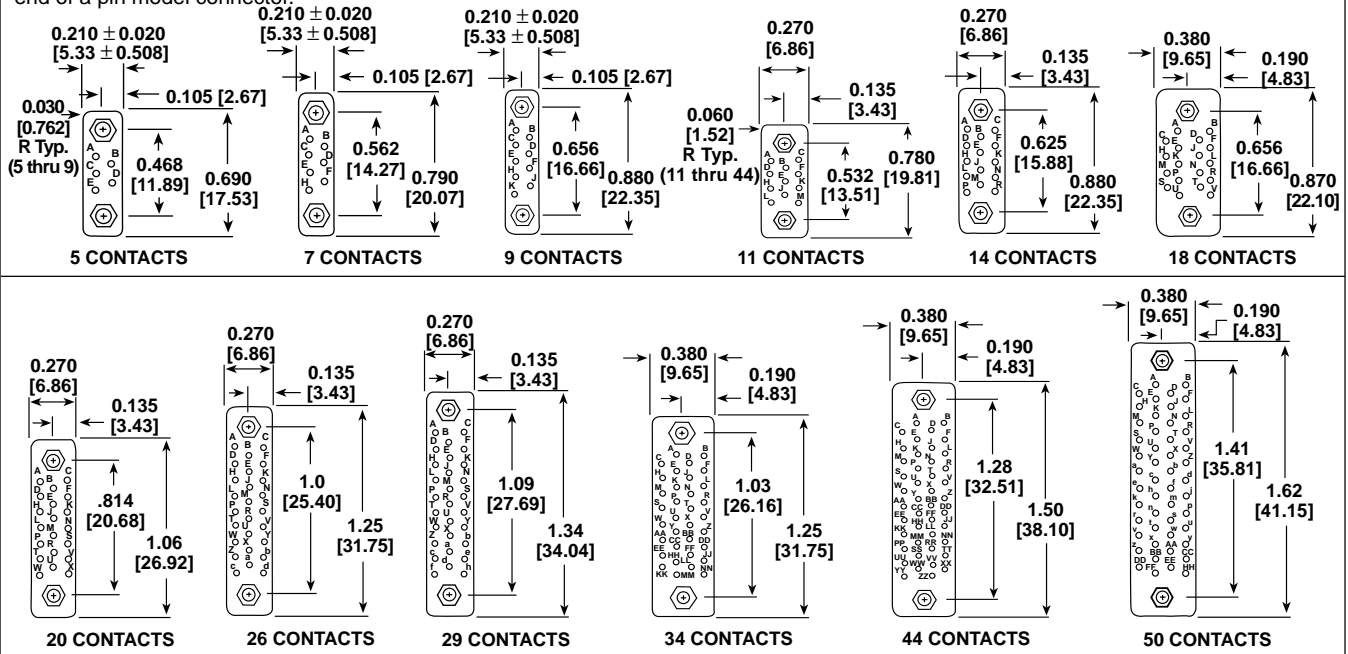
MMS With Solder Cup Contacts		MMP With Solder Cup Contacts		MMDS With Dip Solder Contacts		MMDP With Dip Solder Contacts	
CONTACT GAUGE	B DIAMETER	CONTACT GAUGE	C DIP TAIL LENGTH	D DIAMETER			
22 AWG	0.030 ± 0.001 [0.762 ± 0.025]	22 AWG	0.160 or 0.350 [4.06 or 8.89] Nom.	0.025 [0.635]			
24 AWG	0.025 ± 0.001 [0.635 ± 0.025]	24 AWG	0.160 or 0.350 [4.06 or 8.89] Nom.	0.025 [0.635]			

DIMENSIONS in inches [millimeters]																			
<p>MMS With Fixed (026, 027) Guides</p>		<p>MMP With Fixed (026, 027) Guides</p>		<table border="1"> <thead> <tr> <th>HARDWARE TYPE</th> <th>E DIAMETER</th> <th>F DIAMETER</th> </tr> </thead> <tbody> <tr> <td>026</td> <td>0.078 [1.98]</td> <td>0.125 [3.17]</td> </tr> <tr> <td>026L</td> <td>0.078 [1.98]</td> <td>0.125 [3.17]</td> </tr> <tr> <td>027</td> <td>0.078 [1.98]</td> <td>0.125 [3.17]</td> </tr> <tr> <td>027L</td> <td>0.078 [1.98]</td> <td>0.125 [3.17]</td> </tr> </tbody> </table>	HARDWARE TYPE	E DIAMETER	F DIAMETER	026	0.078 [1.98]	0.125 [3.17]	026L	0.078 [1.98]	0.125 [3.17]	027	0.078 [1.98]	0.125 [3.17]	027L	0.078 [1.98]	0.125 [3.17]
HARDWARE TYPE	E DIAMETER	F DIAMETER																	
026	0.078 [1.98]	0.125 [3.17]																	
026L	0.078 [1.98]	0.125 [3.17]																	
027	0.078 [1.98]	0.125 [3.17]																	
027L	0.078 [1.98]	0.125 [3.17]																	
<p>MMS With Fixed (026L, 027L) Guides</p>	<p>MMP With Fixed (026L, 027L) Guides</p>	<p>Short Turnable Screwlocks (SK030)</p>	<p>Turnable Screwlocks (SK)</p>																
<p>Fixed Screwlocks (SL)</p>	<p>Fixed Screwlocks (SLL)</p>	<p>Fixed Screwlocks And Nylon Retaining Nut And Fiber Washer (NSL)</p>	<p>Short Turnable Screwlocks (SK2035)</p>																

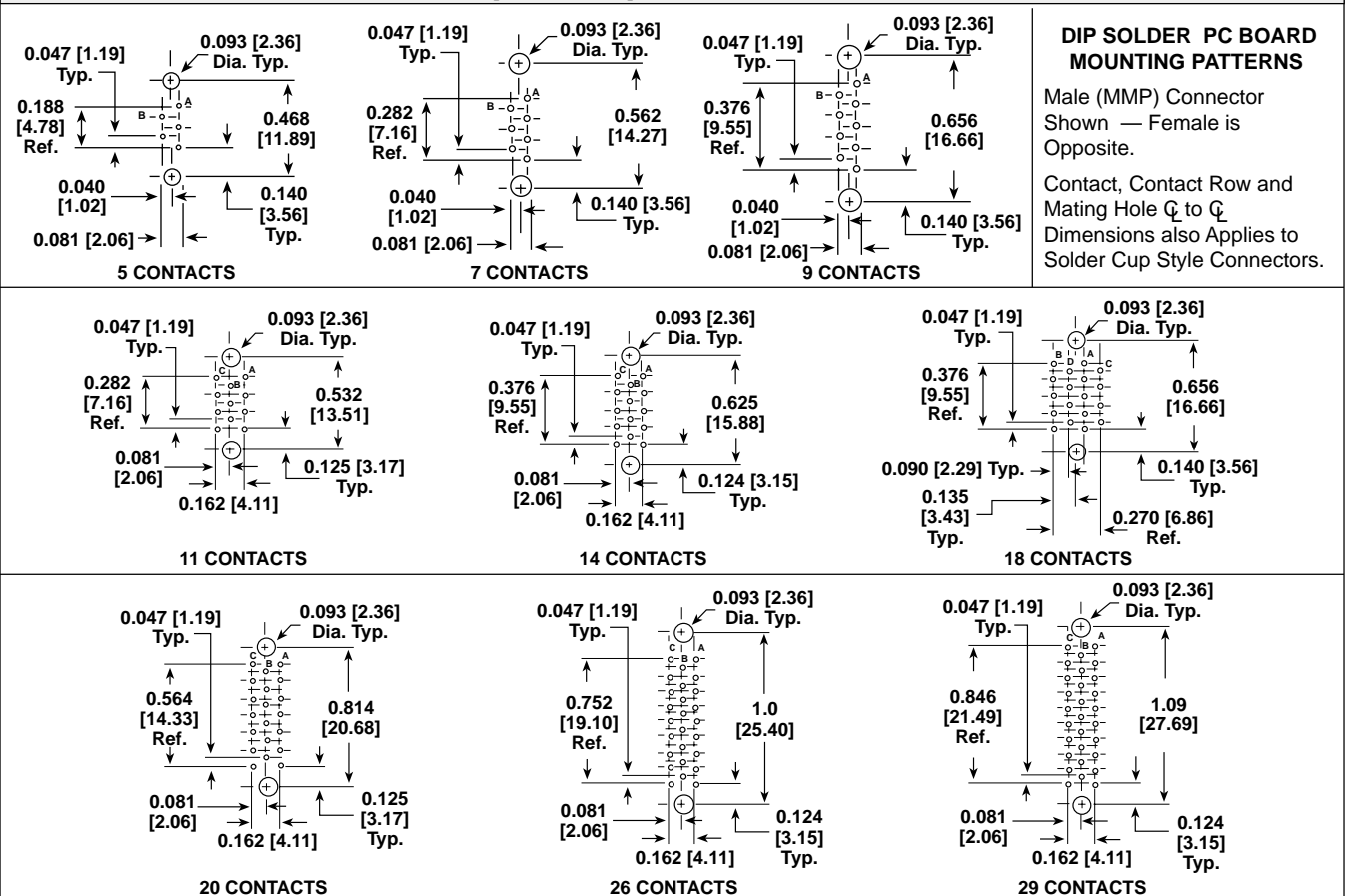
HARDWARE MATING CHART		
HARDWARE MODEL	MATES WITH HARDWARE MODEL	<p>NOTE: Either MMP or MMS Connectors may be ordered with any type of hardware shown.</p> <p>EXAMPLES:</p> <ol style="list-style-type: none"> MMP with 026 Hardware would mate with an MMS with 026 Hardware. MMS with SK Hardware would mate with an MMP with SL or NSL Hardware. MMS with SL2 Hardware would mate with an MMP with SK2 or SK2030 Hardware.
026	026, 026L	
027	027, 027L	
SK	SL, NSL or SLL	
SK030	SL, NSL or SLL	
SK2	SL2, NSL2 or SL2L	
SK2030	SL2, NSL2 or SL2L	
SK2035	SL2, NSL2 or SL2L	

DIMENSIONS in inches [millimeters]

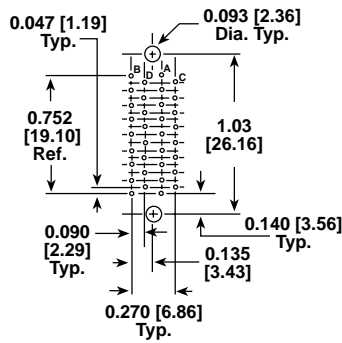
NOTE: The views below show the wiring side of a pin model connector (female is opposite). Socket hardware assembled at "A" contact end of a pin model connector.



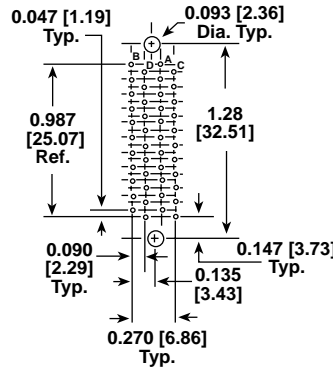
MOUNTING VARIATIONS in inches [millimeters]



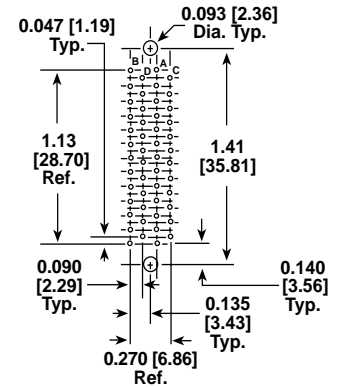
MOUNTING VARIATIONS in inches [millimeters]



34 CONTACTS

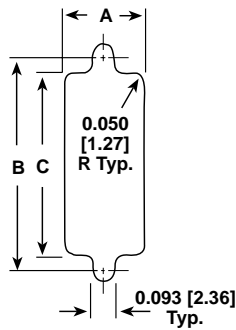


44 CONTACTS



50 CONTACTS

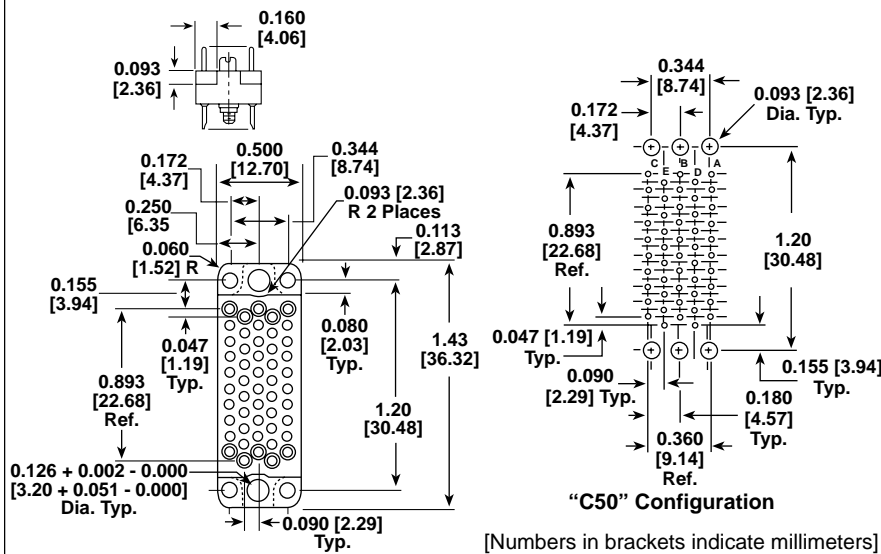
PANEL CUTOUT in inches [millimeters]



NUMBER OF CONTACTS	A	B	C	NUMBER OF CONTACTS	A	B	C
5	0.210 [5.33]	0.468 [11.89]	0.340 [8.64]	20	0.270 [6.86]	0.814 [20.68]	0.690 [17.53]
7	0.210 [5.33]	0.562 [14.27]	0.440 [11.18]	26	0.270 [6.86]	1.0 [25.40]	0.870 [22.10]
9	0.210 [5.33]	0.656 [16.66]	0.530 [13.46]	29	0.270 [6.86]	1.09 [27.69]	0.970 [24.64]
11	0.270 [6.86]	0.532 [13.51]	0.410 [10.41]	34	0.380 [9.65]	1.03 [26.16]	0.910 [23.11]
14	0.270 [6.86]	0.625 [15.88]	0.500 [12.70]	44	0.380 [9.65]	1.28 [32.51]	1.16 [29.46]
18	0.380 [9.65]	0.656 [16.66]	0.530 [13.46]	50	0.380 [9.65]	1.41 [35.81]	1.28 [32.51]

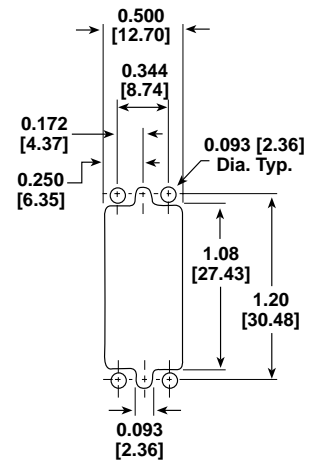
DIMENSIONS

NOTE: The views below show the wiring side of a pin model connector (Socket style is opposite). Socket hardware is assembled at "A" contact end of pin connector.



PANEL CUTOUT

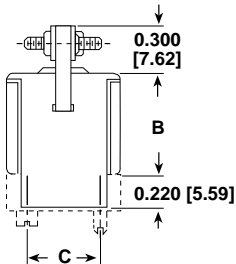
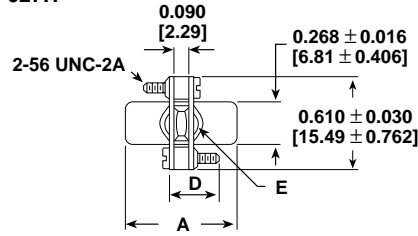
in inches [millimeters]



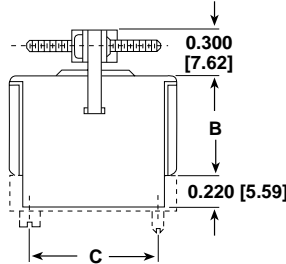
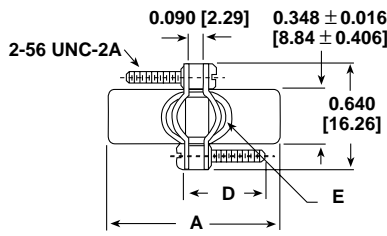
DIP SOLDER PC BOARD MOUNTING PATTERNS: Male (MMP) Connector Shown - Female is Opposite. Contact, Contact Row and Mating Hole \varnothing to \varnothing Dimensions also Applies to Solder Cup Style Connectors.

HOOD VARIATIONS in inches [millimeters]

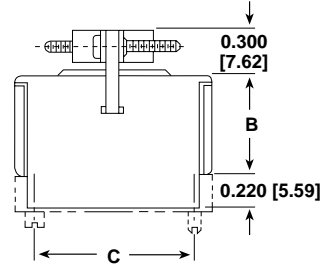
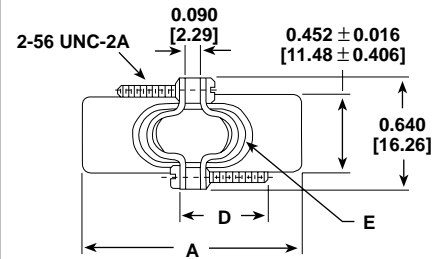
027H



5, 7, 9 CONTACTS

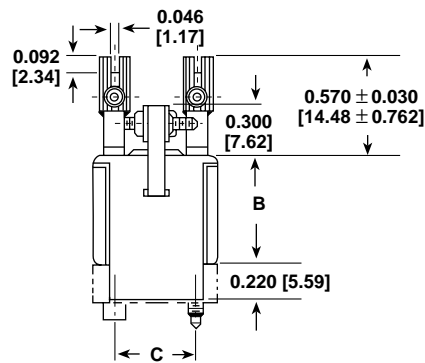
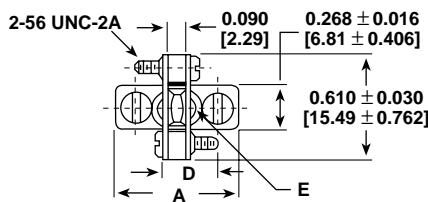


11, 14, 20, 26, 29 CONTACTS

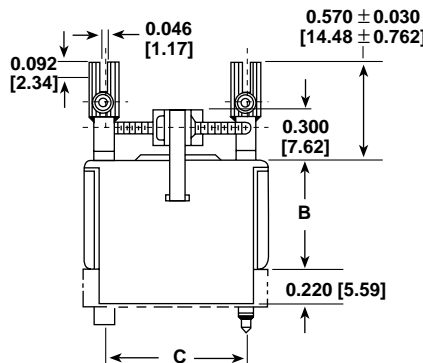
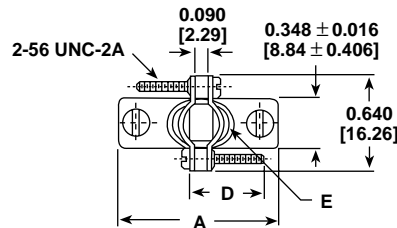


34, 44, 50 CONTACTS

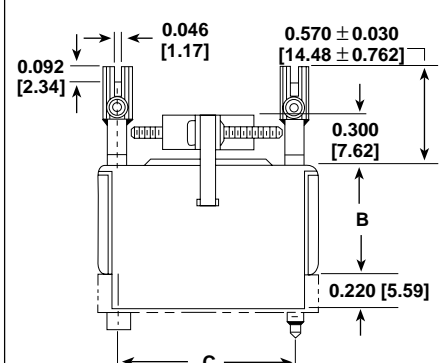
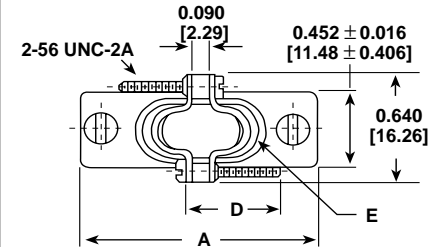
SKH or SK2H



5, 7, 9 CONTACTS



11, 14, 20, 26, 29 CONTACTS

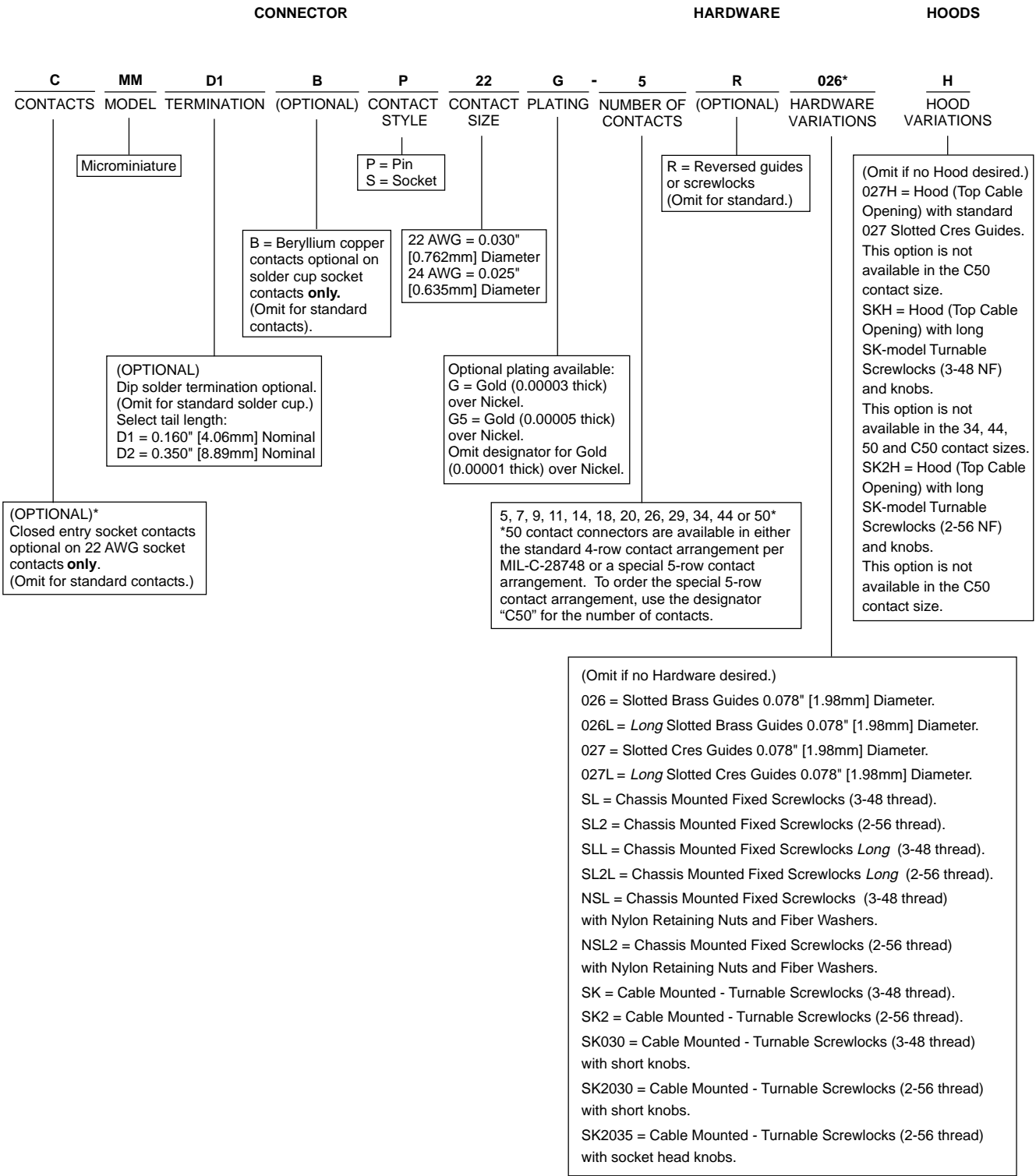


34, 44, 50 CONTACTS

NUMBER OF CONTACTS	A ± 0.016 [0.406]	B ± 0.030 [0.76]	C	D ± 0.016 [0.406]	"E" CABLE OPENING SQ. IN. [Sq. mm]
5	0.690 [17.53]	0.650 [16.51]	0.468 [11.89]	0.310 [7.87]	0.028 [0.711]
7	0.780 [19.81]	0.650 [16.51]	0.562 [14.27]	0.440 [11.18]	0.037 [0.940]
9	0.870 [22.10]	0.650 [16.51]	0.656 [16.66]	0.500 [12.70]	0.052 [1.321]
11	0.780 [19.81]	0.650 [16.51]	0.532 [13.51]	0.440 [11.18]	0.054 [1.372]
14	0.870 [22.10]	0.650 [16.51]	0.625 [15.88]	0.500 [12.70]	0.076 [1.930]
20	1.06 [26.92]	0.650 [16.51]	0.814 [20.68]	0.620 [15.75]	0.105 [2.667]
26	1.25 [31.75]	0.650 [16.51]	1.0 [25.40]	0.620 [15.75]	0.105 [2.667]
29	1.34 [34.04]	0.650 [16.51]	1.09 [27.67]	0.620 [15.75]	0.105 [2.667]
34	1.25 [31.75]	0.650 [16.51]	1.03 [26.16]	0.500 [12.70]	0.160 [4.064]
44	1.50 [38.10]	1.17 [29.72]	1.28 [32.51]	0.500 [12.70]	0.190 [4.826]
50	1.62 [41.15]	1.17 [29.72]	1.41 [35.81]	0.620 [15.75]	0.202 [5.131]



ORDERING INFORMATION



*To order complete connector with hardware supplied unassembled, add suffix "UA" on end of hardware designation.