

Type HZA -55 °C to +105 °C

SMT Hybrid Polymer-Aluminum Electrolytic Capacitors

For filtering, Bypassing and Power Supply Decoupling with Long Life Requirements



Rated for 105°C, type HZA combines the advantages of aluminum electrolytic and aluminum polymer technology. These hybrid capacitors have the ultra-low ESR characteristics of conductive aluminum polymer capacitors packaged in a V-chip, SMT case with high capacitance and voltage ratings

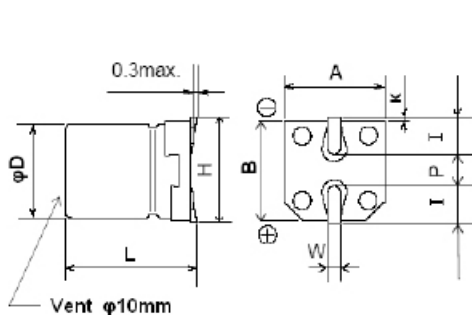
Highlights

- +105 °C, Up to 10,000 Hours Load Life
- Low Leakage Current
- Very Low ESR and High Ripple Current
- 260 °C reflow soldering
- AEC-Q200 Compliant

Specifications

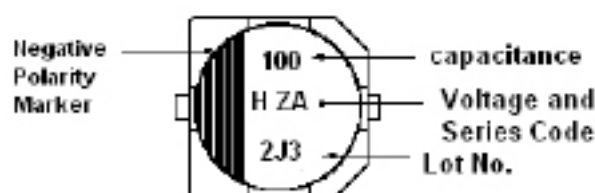
| Capacitance Range | 10 to 330 µF | | | | | | | | | | |
|---|--|-----------|-----------|---------|-----------|---------|-------------------|-----|-----|-----|---|
| Capacitance Tolerance | ±20% @ 120 Hz/+20 °C | | | | | | | | | | |
| Rated Voltage | 25, 35, 50, 63, 80 Vdc | | | | | | | | | | |
| Leakage Current (at 20°C) | I = .01CV or 3 µA max., whichever is greater after 2 minutes I = leakage current in µAmps C = rated capacitance in µF V = rated DC Working voltage in Volts | | | | | | | | | | |
| Low Temperature Characteristics (at 120 Hz) | Z(-25 °C)/Z(+20 °C): 2 Z(-55 °C)/Z(+20 °C): 2.5 | | | | | | | | | | |
| Ripple Current Frequency Multiplier | <table border="1"> <tr> <th>Frequency</th> <th>120 Hz</th> <th>1000 Hz</th> <th>10,000 Hz</th> <th>100 KHz</th> </tr> <tr> <td>Correction Factor</td> <td>0.1</td> <td>0.3</td> <td>0.6</td> <td>1</td> </tr> </table> | Frequency | 120 Hz | 1000 Hz | 10,000 Hz | 100 KHz | Correction Factor | 0.1 | 0.3 | 0.6 | 1 |
| Frequency | 120 Hz | 1000 Hz | 10,000 Hz | 100 KHz | | | | | | | |
| Correction Factor | 0.1 | 0.3 | 0.6 | 1 | | | | | | | |
| RoHS Compliant | | | | | | | | | | | |

Outline Drawing



| Case Code | D (± 0.5) | L (± 0.3) | A (± 0.2) | B (± 0.2) | H (max.) | I (ref.) | W | P (ref.) | K |
|-----------|-----------|-----------|-----------|-----------|----------|----------|------------|----------|-----------------------------|
| C | 5.0 | 5.8 | 5.3 | 5.3 | 6.5 | 2.2 | 0.65 ± 0.1 | 1.5 | 0.35 ^{+0.15/-0.20} |
| D | 6.3 | 5.8 | 6.6 | 6.6 | 7.8 | 2.6 | 0.65 ± 0.1 | 1.8 | 0.35 ^{+0.15/-0.20} |
| X | 6.3 | 7.7 | 6.6 | 6.6 | 7.8 | 2.6 | 0.65 ± 0.1 | 1.8 | 0.35 ^{+0.15/-0.20} |
| F | 8.0 | 10.2 | 8.3 | 8.3 | 10.0 | 3.4 | 0.90 ± 0.2 | 3.1 | 0.70 ± 0.2 |
| G | 10.0 | 10.2 | 10.3 | 10.3 | 12.0 | 3.5 | 0.90 ± 0.2 | 4.6 | 0.70 ± 0.2 |

Capacitor Markings



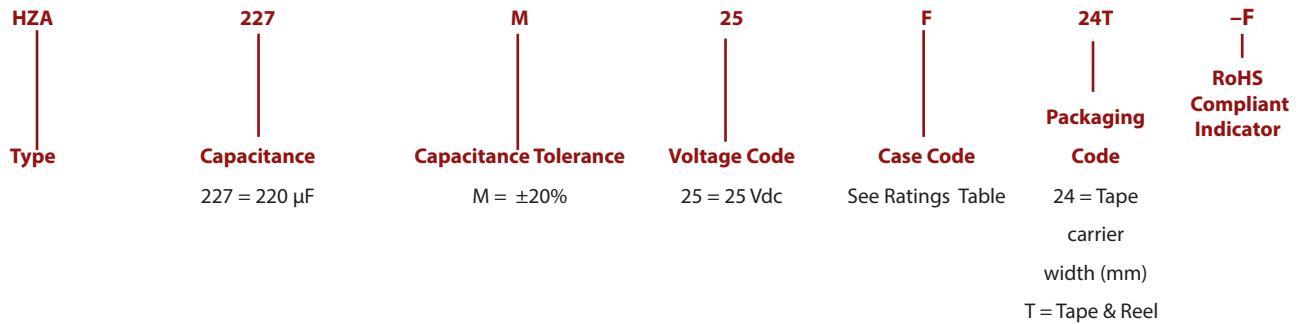
| Voltage Code | Voltage Vdc |
|--------------|-------------|
| E | 25 |
| V | 35 |
| H | 50 |
| J | 63 |
| K | 80 |

Lot, Number: Year, Line, Month

Type HZA -55 °C to +105 °C

SMT Hybrid Polymer-Aluminum Electrolytic Capacitors

Part Numbering System



Ratings

| Capacitance (µF) | Voltage Rating (Vdc) | CDE Part Number | MAX DCL (µA) | MAX DF @ 120 Hz/20°C | MAX E.S.R. @ 100kHz/+20°C (ohms) | MAX Ripple Current @ 100kHz/+105°C (A rms) | D (mm) | L (mm) | Case Code | QTY/reel |
|---------------------------------|----------------------|------------------|--------------|----------------------|----------------------------------|--|--------|--------|-----------|----------|
| 25 Vdc (32 Vdc Surge) | | | | | | | | | | |
| 33 | 25 | HZA336M025C12T-F | 8.2 | 0.14 | 0.080 | 0.9 | 5.0 | 5.8 | C | 1000 |
| 56 | 25 | HZA566M025D16T-F | 14.0 | 0.14 | 0.050 | 1.3 | 6.3 | 5.8 | D | 1000 |
| 100 | 25 | HZA107M025X16T-F | 25.0 | 0.14 | 0.030 | 2.0 | 6.3 | 7.7 | X | 900 |
| 220 | 25 | HZA227M025F24T-F | 55.0 | 0.14 | 0.027 | 2.3 | 8.0 | 10.2 | F | 500 |
| 330 | 25 | HZA337M025G24T-F | 82.5 | 0.14 | 0.020 | 2.5 | 10.0 | 10.2 | G | 500 |
| 35 Vdc (44 Vdc Surge) | | | | | | | | | | |
| 22 | 35 | HZA226M035C12T-F | 7.7 | 0.12 | 0.100 | 0.9 | 5.0 | 5.8 | C | 1000 |
| 27 | 35 | HZA276M035D16T-F | 9.4 | 0.12 | 0.060 | 1.3 | 6.3 | 5.8 | D | 1000 |
| 47 | 35 | HZA476M035D16T-F | 16.4 | 0.12 | 0.060 | 1.3 | 6.3 | 5.8 | D | 1000 |
| 68 | 35 | HZA686M035X16T-F | 23.8 | 0.12 | 0.035 | 2.0 | 6.3 | 7.7 | X | 900 |
| 150 | 35 | HZA157M035F24T-F | 52.5 | 0.12 | 0.027 | 2.3 | 8.0 | 10.2 | F | 500 |
| 270 | 35 | HZA277M035G24T-F | 94.5 | 0.12 | 0.020 | 2.5 | 10.0 | 10.2 | G | 500 |
| 50 Vdc (63 Vdc Surge) | | | | | | | | | | |
| 10 | 50 | HZA106M050C12T-F | 5.0 | 0.10 | 0.120 | 0.75 | 5.0 | 5.8 | C | 1000 |
| 22 | 50 | HZA226M050D16T-F | 11.0 | 0.10 | 0.080 | 1.1 | 6.3 | 5.8 | D | 1000 |
| 33 | 50 | HZA336M050X16T-F | 16.5 | 0.10 | 0.040 | 1.6 | 6.3 | 7.7 | X | 900 |
| 68 | 50 | HZA686M050F24T-F | 34.0 | 0.10 | 0.030 | 1.8 | 8.0 | 10.2 | F | 500 |
| 100 | 50 | HZA107M050G24T-F | 50.0 | 0.10 | 0.028 | 2.0 | 10.0 | 10.2 | G | 500 |
| 63 Vdc (79 Vdc Surge) | | | | | | | | | | |
| 10 | 63 | HZA106M063D16T-F | 6.3 | 0.08 | 0.120 | 1.0 | 6.3 | 5.8 | D | 1000 |
| 22 | 63 | HZA226M063X16T-F | 13.8 | 0.08 | 0.080 | 1.5 | 6.3 | 7.7 | X | 900 |
| 33 | 63 | HZA336M063F24T-F | 20.7 | 0.08 | 0.040 | 1.7 | 8.0 | 10.2 | F | 500 |
| 56 | 63 | HZA566M063G24T-F | 35.2 | 0.08 | 0.030 | 1.8 | 10.0 | 10.2 | G | 500 |
| 80 Vdc (100 Vdc Surge) | | | | | | | | | | |
| 22 | 80 | HZA226M080F24T-F | 17.6 | 0.08 | 0.045 | 1.55 | 8.0 | 10.2 | F | 500 |
| 33 | 80 | HZA336M080G24T-F | 26.4 | 0.08 | 0.036 | 1.70 | 10.0 | 10.2 | G | 500 |

Type HZA -55 °C to +105 °C

SMT Hybrid Polymer-Aluminum Electrolytic Capacitors

Load Life Test

| | |
|---|---|
| Test | Apply the maximum rated voltage for 10,000 hrs at +105 °C with full rated ripple current. After the test measure the capacitance, DF, DCL and ESR at +20 °C. Also measure the ESR at -40 °C and 100kHz. |
| ΔC at 120Hz | Capacitance will be within ±30% of the initial measured value |
| DF at 120 Hz | DF will be ≤ 200% of the initial specified value |
| DCL after 2 minute charge | Leakage current will be ≤ the initial specified value |
| ESR at 100kHz/+20 °C | ESR will be ≤ 200% of the initial specified value |
| Max. ESR at 100kHz/-40 °C after Load Life test | Case Code C : 2.0 Ω; Case Code D : 1.4 Ω; Case Code X : 0.8 Ω; Case Code F : 0.4 Ω; Case Code G : 0.3 Ω |

Shelf Life Test

| | |
|----------------------------------|---|
| Test | Subject the capacitor to 1000 hrs at +105 °C without voltage. After the test, return the capacitor to room temperature for two hours and then apply rated voltage for 30 minutes. The after test measurements for capacitance, DF, DCL and ESR at +20 °C will meet the following. |
| ΔC at 120 Hz | Capacitance will be within ±30% of the initial measured value |
| DF at 120 Hz | DF will be ≤ 200% of the initial specified value |
| DCL after 2 minute charge | Leakage current will be ≤ the initial specified value |
| ESR at 100Khz/+20 °C | ESR will be ≤ 200% of the initial specified value |

Moisture Resistance Test

| | |
|----------------------------------|--|
| Test | Subject the capacitor to 2000 hrs at +85 °C/85%RH with rated voltage. After the test, return the capacitor to room temperature and humidity for two hours. The after test measurements for capacitance, DF, DCL and ESR at +20 °C will meet the following. |
| ΔC at 120 Hz | Capacitance will be within ±30% of the initial measured value |
| DF at 120 Hz | DF will be ≤ 200% of the initial specified value |
| DCL after 2 minute charge | Leakage current will be ≤ the initial specified value |
| ESR at 100Khz/+20 °C | ESR will be ≤ 200% of the initial specified value |

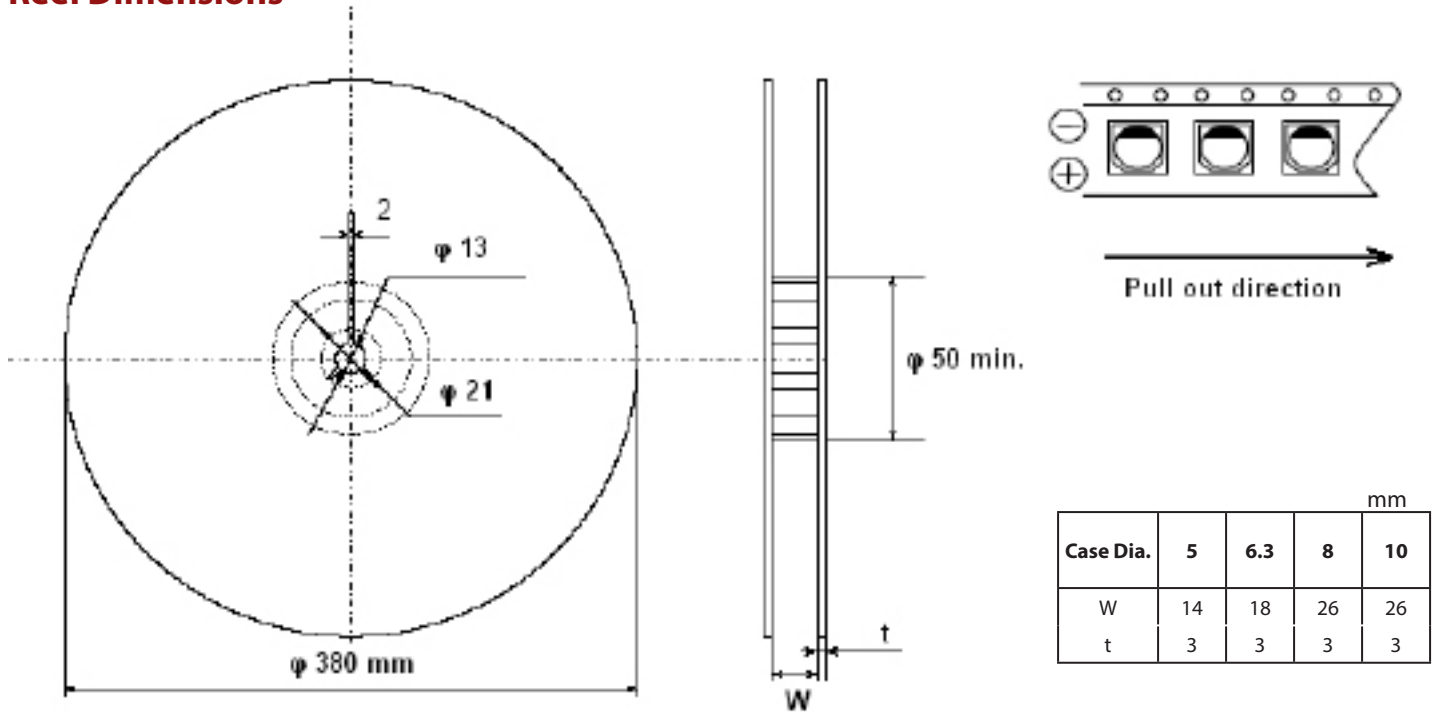
Temperature Cycle Test

| | | | |
|----------------------------------|--|--------------------|----------------------------|
| Test | Subject the capacitor to 1000 cycles of temperature change from -55 °C to +105 °C using the following sequence and durations. | | |
| | Step | Temperature | Time at Temperature |
| | 1 | -55 °C | 30 minutes |
| | 2 | +20 °C | 3 minutes max |
| | 3 | +105 °C | 30 minutes |
| 4 | +20 °C | 3 minutes max | |
| | After the test, return the capacitor to +20°C for one to two hours before measurement. The after test measurements for capacitance, DF, and DCL at +20 °C will meet the following; | | |
| ΔC at 120 Hz | Capacitance will be within ±20% of the initial measured value | | |
| DF at 120 Hz | DF will be ≤ 200% of the initial specified value | | |
| DCL after 2 minute charge | Leakage current will be ≤ the initial specified value | | |
| Appearance | No significant change in appearance | | |

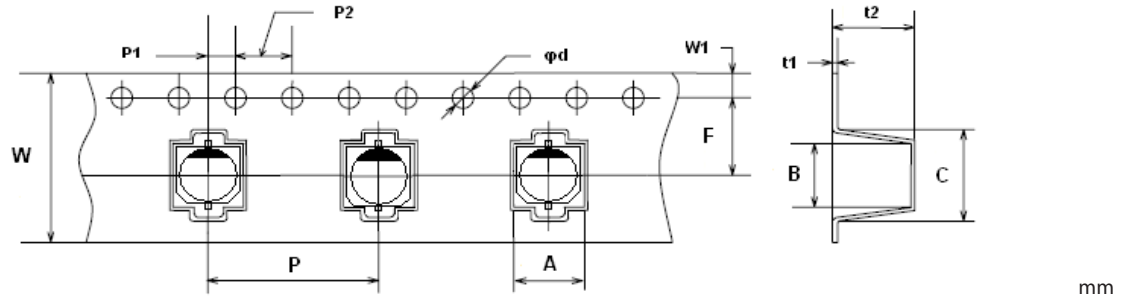
Type HZA -55 °C to +105 °C

SMT Hybrid Polymer-Aluminum Electrolytic Capacitors

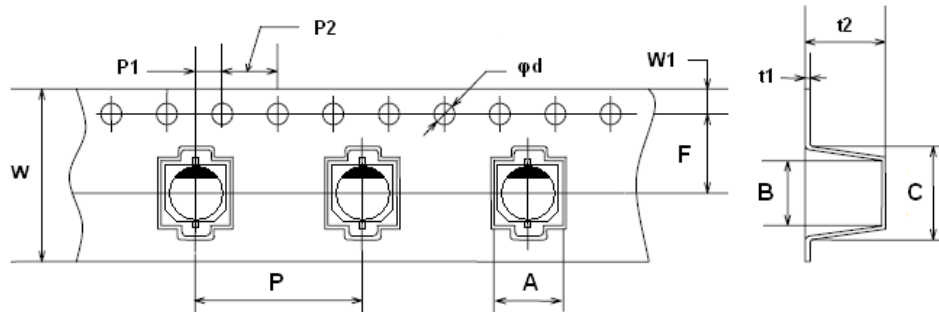
Reel Dimensions



Tape Dimensions



| Case Size (mm) | Case Code | W ± 0.3 | A ± 0.2 | B +0.3/-0.2 | C ± 0.5 | F ± 0.1 | P ± 0.1 | t1 | t2 ± 0.2 | φd +0.1/-0 | P1 ± 0.1 | P2 ± 0.1 | W1 ± 0.1 |
|----------------|-----------|---------|---------|-------------|---------|---------|---------|-----|----------|------------|----------|----------|----------|
| 5 x 5.8 | C | 12 | 5.7 | 5.7 | 8.0 | 5.5 | 12 | 0.4 | 6.4 | 1.5 | 2 | 4 | 1.75 |

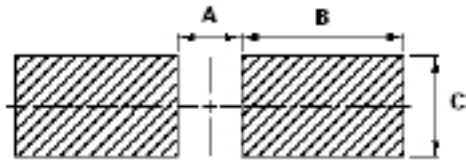


| Case Size (mm) | Case Code | W ± 0.3 | A ± 0.2 | B +0.3/-0.2 | C ± 0.5 | F ± 0.1 | P ± 0.1 | t1 | t2 ± 0.2 | φd +0.1/-0 | P1 ± 0.1 | P2 ± 0.1 | W1 ± 0.1 |
|----------------|-----------|---------|---------|-------------|---------|---------|---------|-----|----------|------------|----------|----------|----------|
| 6.3 x 5.8 | D | 16 | 7 | 7 | 9.0 | 7.5 | 12 | 0.4 | 6.4 | 1.5 | 2 | 4 | 1.75 |
| 6.3 x 7.7 | X | | | | | | | | 8.4 | | | | |
| 8 x 10.2 | F | 24 | 8.7 | 8.7 | 12.5 | 11.5 | 16 | 0.4 | 11 | | | | |
| 10 x 10.2 | G | | 10.7 | 10.7 | 14.5 | | | | | | | | |

Type HZA -55 °C to +105 °C

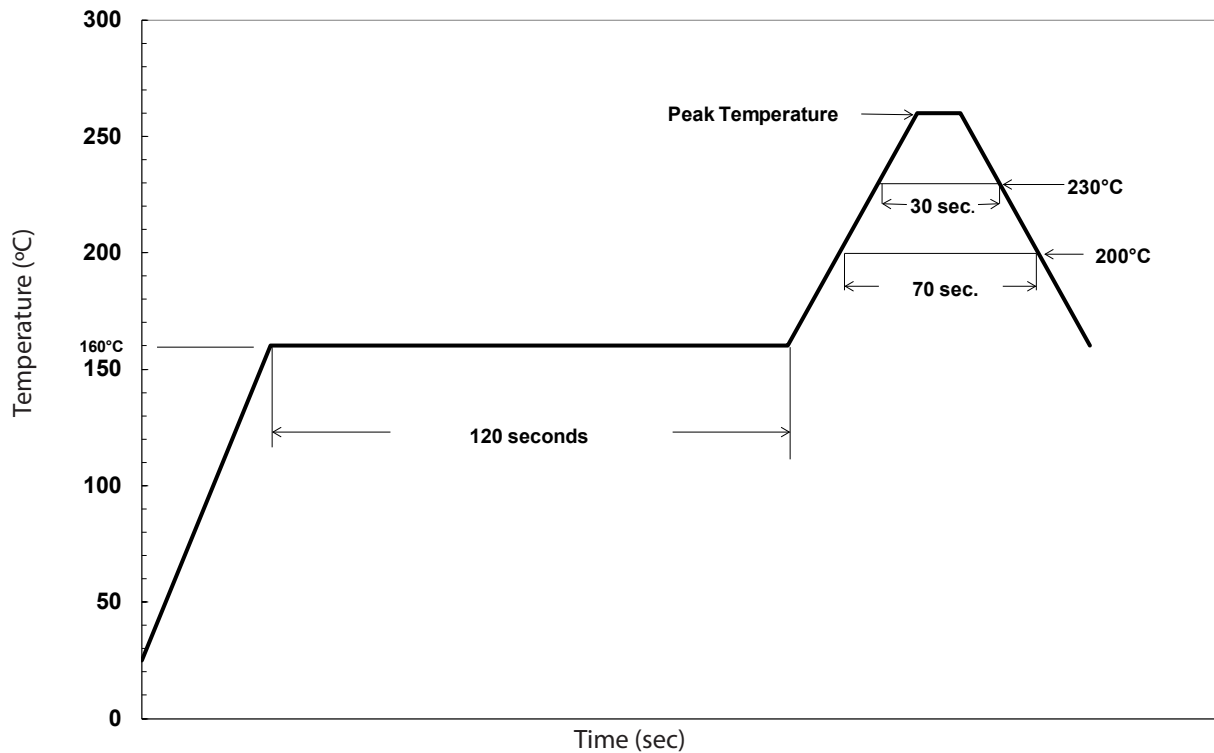
SMT Hybrid Polymer-Aluminum Electrolytic Capacitors

Recommended Land Dimensions



| Case Code | D (mm) | A | B | C |
|-----------|--------|-----|-----|-----|
| C | 5 | 1.5 | 2.8 | 1.6 |
| D | 6.3 | 1.8 | 3.2 | 1.6 |
| X | 6.3 | 1.8 | 3.2 | 1.6 |
| F | 8 | 3.1 | 4.0 | 2.0 |
| G | 10 | 4.6 | 4.1 | 2.0 |

Recommended Reflow Soldering



| Case Code | Case Dia. (mm) | Peak Temperature | Time at or above 250 °C | Time at or above 230 °C | Time at or above 217 °C | Time at or above 200 °C | Number of Reflow Processes |
|-----------|----------------|------------------|-------------------------|-------------------------|-------------------------|-------------------------|----------------------------|
| C | 5 | 260°C | 5 seconds | 30 seconds | 40 seconds | 70 seconds | 2 |
| D | 6.3 | | | | | | |
| X | 6.3 | | | | | | |
| F | 8 | 260°C | 5 seconds | 30 seconds | 40 seconds | 70 seconds | 1 |
| G | 10 | | | | | | |

Notes:

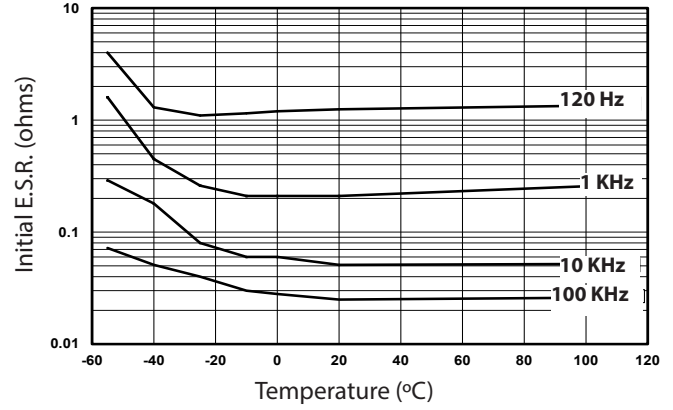
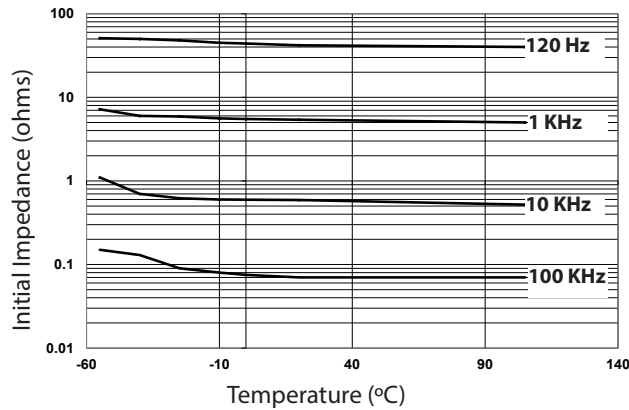
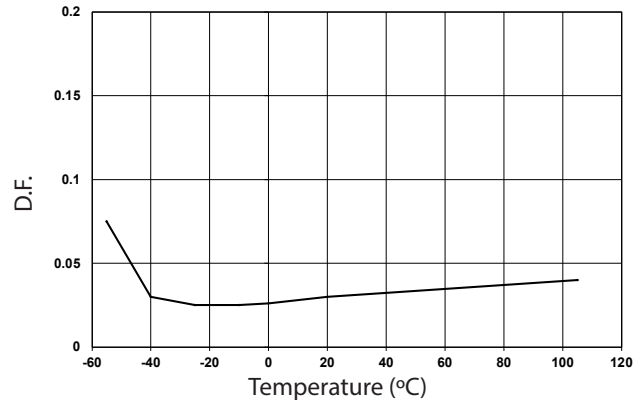
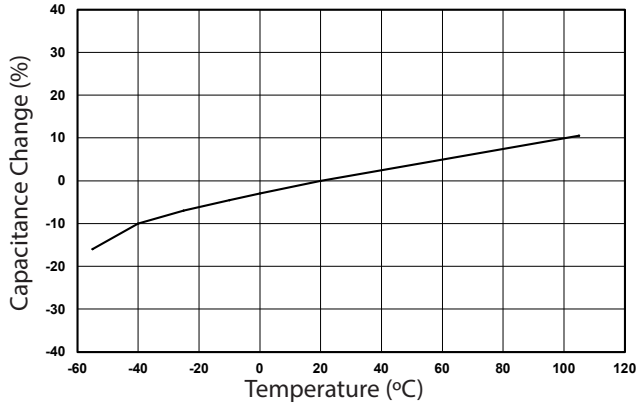
- For 5mm and 6.3 mm case dia., if the peak temperature does not exceed 255 °C the time at or above 250 °C can increase to 10 seconds.
- The capacitors in the 8m and 10 mm case dia. can withstand 2 reflow processes, if the peak temperature does not exceed 245 °C and the time at or above 240 °C does not exceed 10 seconds.
- The 2nd reflow process should be performed after the capacitors have returned to room temperature.
- Temperature should be measured with a thermal couple placed on the top surface of the capacitor.
- After reflow soldering, the leakage current, D.F., and e.s.r., will meet the initial specifications, and the capacitance will be within ±10% of the initial measured value when measured at room conditions.

Type HZA -55 °C to +105 °C

SMT Hybrid Polymer-Aluminum Electrolytic Capacitors

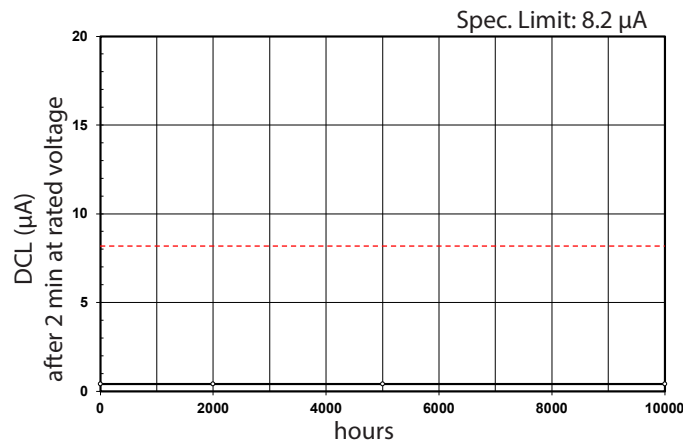
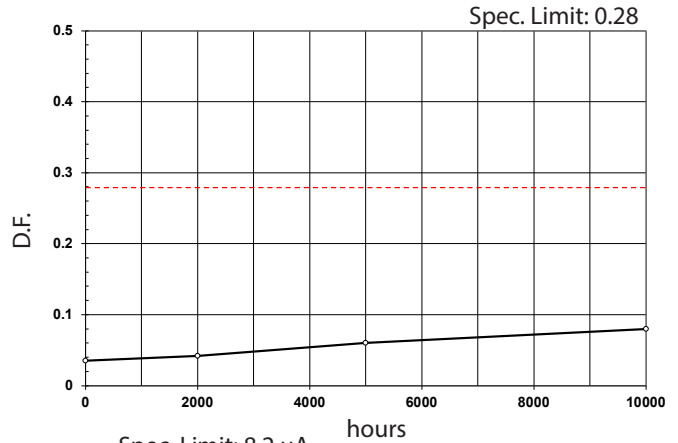
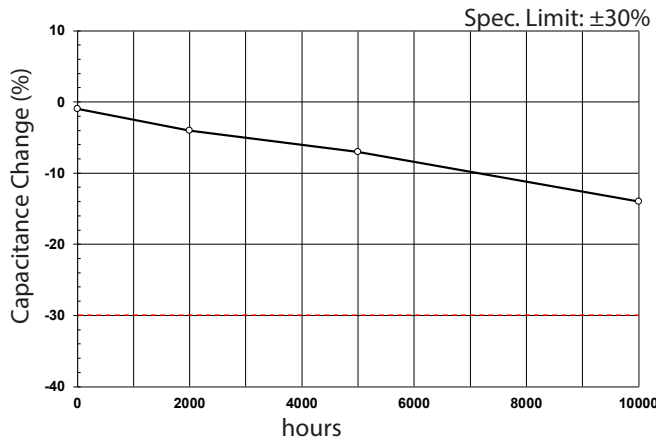
Capacitor Temperature Characteristics

33 μ F/25V



Life Test Results

33 μ F/25V at +105 °C with rated voltage



Notice and Disclaimer: All product drawings, descriptions, specifications, statements, information and data (collectively, the "Information") in this datasheet or other publication are subject to change. The customer is responsible for checking, confirming and verifying the extent to which the Information contained in this datasheet or other publication is applicable to an order at the time the order is placed. All Information given herein is believed to be accurate and reliable, but it is presented without any guarantee, warranty, representation or responsibility of any kind, expressed or implied. Statements of suitability for certain applications are based on the knowledge that the Cornell Dubilier company providing such statements ("Cornell Dubilier") has of operating conditions that such Cornell Dubilier company regards as typical for such applications, but are not intended to constitute any guarantee, warranty or representation regarding any such matter – and Cornell Dubilier specifically and expressly disclaims any guarantee, warranty or representation concerning the suitability for a specific customer application, use, storage, transportation, or operating environment. The Information is intended for use only by customers who have the requisite experience and capability to determine the correct products for their application. Any technical advice inferred from this Information or otherwise provided by Cornell Dubilier with reference to the use of any Cornell Dubilier products is given gratis (unless otherwise specified by Cornell Dubilier), and Cornell Dubilier assumes no obligation or liability for the advice given or results obtained. Although Cornell Dubilier strives to apply the most stringent quality and safety standards regarding the design and manufacturing of its products, in light of the current state of the art, isolated component failures may still occur. Accordingly, customer applications which require a high degree of reliability or safety should employ suitable designs or other safeguards (such as installation of protective circuitry or redundancies or other appropriate protective measures) in order to ensure that the failure of an electrical component does not result in a risk of personal injury or property damage. Although all product-related warnings, cautions and notes must be observed, the customer should not assume that all safety measures are indicated in such warnings, cautions and notes, or that other safety measures may not be required.