

HONEYWELL  
PART NUMBER  
136PC05G2

REV	DOCUMENT	CHANGED BY	CHECK
3	0064547	NR 20MAY10	RS

GENERAL OPERATING CHARACTERISTICS

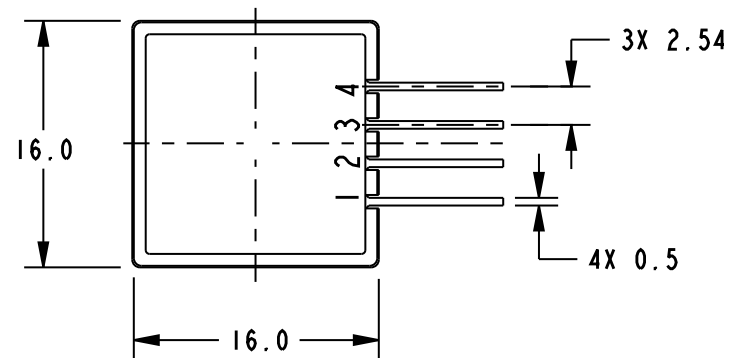
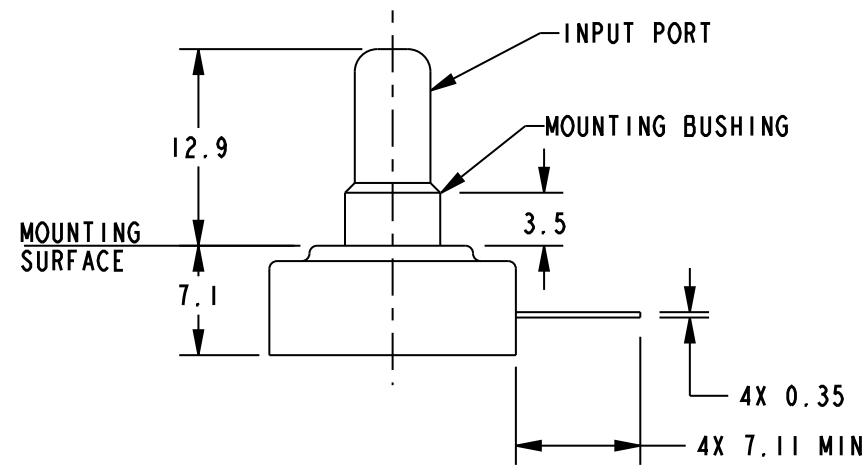
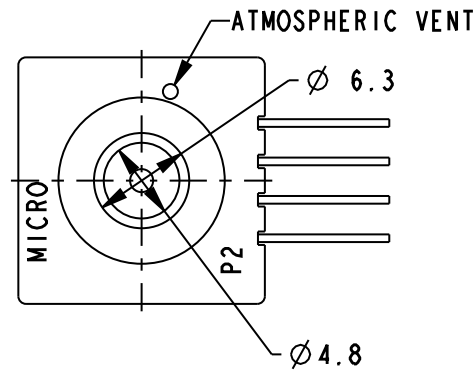
PRESSURE RANGE	0 TO 258 mmHg (0 TO 5 PSIG)
OVERPRESSURE	1035 mmHg (20 PSI)
TEMPERATURE RANGES	
STORAGE	-55° TO +125°C
OPERATE	-40° TO +85°C
COMPENSATED	0°C TO +50°C
SUPPLY VOLTAGE	16 VDC MAX
INPUT RESISTANCE	6800 OHM TYP

ELECTRICAL PERFORMANCE AT 10.00±.01 VDC SUPPLY AND +25°C

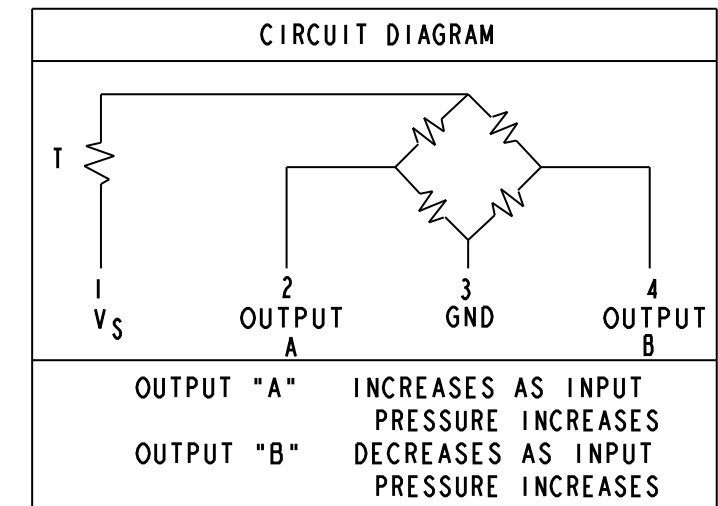
NULL OFFSET	0 ± 1 mV (AT PSI)
F.S.O. / 3	50 ± 1.5 mV (0 TO 5 PSI)
LINEARITY (BFSL)	
INPUT < VENT	± .5% F.S.O. MAX / 3
INPUT > VENT	± 1.0% F.S.O. MAX / 3
HYSTERESIS & REPEATABILITY	± .15% F.S.O. TYP / 3

TEMPERATURE ERROR (25°C TO 0°C OR 25°C TO 50°C)

NULL SHIFT	± 4 mV MAX
SENSITIVITY SHIFT	± 3.0% F.S.O. MAX / 3



- NOTES
- 1 - TERMINALS ARE PLATED FOR SOLDERING
  - 2 - LIMIT SOLDERING TO 315°C MAX FOR 110 SECONDS MAX
  - 3 - F.S.O. IS THE ALGEBRAIC DIFFERENCE BETWEEN THE OUTPUT END POINTS (NULL AND FULL PRESSURE)
  - 4 - INPUT MEDIA LIMITED ONLY TO THOSE MEDIA THAT WILL NOT ATTACK POLYESTER, SILICON OR SILICONE BASED ADHESIVE



RELEASE NO.: CO-77378

DESIGN UNITS: MM	DRAWN	DLT	30 JUL 02	<b>Honeywell</b>		
TOLERANCES UNLESS NOTED:	CHECK	SAV	30 JUL 02			
NO PLACES x ± 0.76	THIS DRAWING COVERS A PROPRIETARY ITEM AND IS THE PROPERTY OF HONEYWELL. THIS DRAWING IS NOT TO BE COPIED OR USED WITHOUT THE PERMISSION OF HONEYWELL.			TITLE		
ONE PLACE .x ± 0.38				BRIDGE PRESSURE SENSOR		
TWO PLACE .xx ± 0.15				SIZE	TYPE	CAGE CODE
THREE PLACE .xxx ± -	B	I	-	136PC05G2	3	
ANGLES x ± -	INTERPRET PER ANSI Y14.5M - 1982 OTHER HONEYWELL ENGINEERING STANDARDS MAY APPLY			SCALE	NONE	SHEET 1 OF 1
THIRD ANGLE PROJECTION	Pro/ENGINEER	2D				

