



SP6T Electromechanical Relay Switch DC to 22 GHz, SMA, 20 Watts, 12V Control

Electromechanical Relay Switches Technical Data Sheet

PE71S6309

Features

- SP6T Switch
- DC to 22 GHz Operating Frequency Range
- 1 M Cycles min

Applications

- Test & Measurement
- Communications System
- Instrumentation

Description

The PE71S6309 is a Single Pole Six Throw Switch that operates from DC to 22 GHz. The switch has a normally open actuator and 1M life cycles. The switch has an opating voltage of 12 Volts and has TTL control.

Electrical Specifications

Switch Type	SP6T, Absorptive
Actuator Type	Normally Open
Switching Sequence	Break Before Make

Description	Minimum	Typical	Maximum	Units
Frequency Range	DC		22	GHz
Impedance		50		Ohms
Operating Voltage		12		Volts
Actuating Current @ 12 Volts		380		mA
VSWR			1.6:1	
Insertion Loss			0.6	dB
Isolation	60			dB
Input Power (CW) (@ 22 GHz)			20	Watts

Performance by Frequency

Description	F1	F2	F3	F4	F5	Units
Frequency Range	DC to 4	4 to 8	8 to 12	12 to 18	18 to 22	GHz
VSWR, Max	1.2:1	1.3:1	1.4:1	1.5:1	1.6:1	
Insertion Loss, Max	0.3	0.35	0.4	0.5	0.6	dB
Isolation, Min	75	70	65	60	60	dB

Click the following link (or enter part number in "SEARCH" on website) to obtain additional part information including price, inventory and certifications: [SP6T Electromechanical Relay Switch DC to 22 GHz, SMA, 20 Watts, 12V Control PE71S6309](#)



SP6T Electromechanical Relay Switch DC to 22 GHz, SMA, 20 Watts, 12V Control

Electromechanical Relay Switches Technical Data

PE71S6309

Mechanical Specifications

Size

Length	2.13 in [54.1 mm]
Width/Diameter	2.13 in [54.1 mm]
Height	2.08 in [52.83 mm]
Weight	0.625 lbs [283.5 g]
Body Material and Plating	Aluminum, Gold

Operating Life	1,000,000 Cycles
Switching Time	15 ms Max

Connectors

RF Connector Type	SMA Female
RF Connector Contact Material and Plating	Beryllium Copper, Gold
RF Connector Body Plating	Passivated Stainless Steel

Environmental Specifications

Temperature

Operating Range	-25 to +65 deg C
-----------------	------------------

Compliance Certifications (visit www.Pasternack.com for current document)

RoHS Compliant

Plotted and Other Data

Notes:

Click the following link (or enter part number in "SEARCH" on website) to obtain additional part information including price, inventory and certifications: [SP6T Electromechanical Relay Switch DC to 22 GHz, SMA, 20 Watts, 12V Control PE71S6309](#)

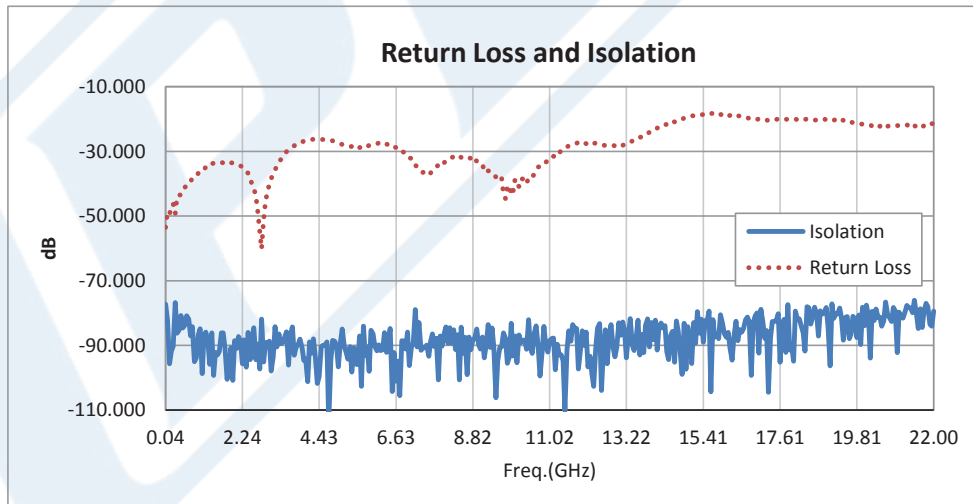
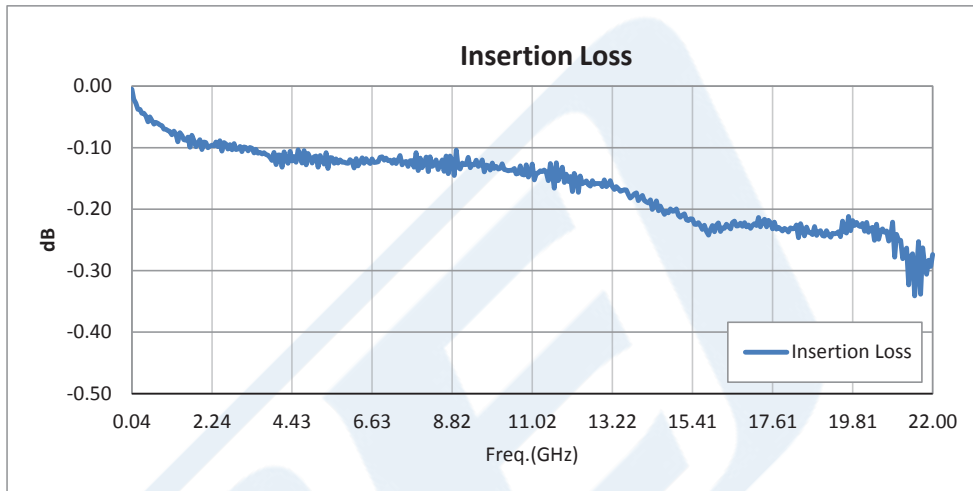


SP6T Electromechanical Relay Switch DC to 22 GHz, SMA, 20 Watts, 12V Control

Electromechanical Relay Switches Technical Data

PE71S6309

Typical Performance Data



Click the following link (or enter part number in "SEARCH" on website) to obtain additional part information including price, inventory and certifications: [SP6T Electromechanical Relay Switch DC to 22 GHz, SMA, 20 Watts, 12V Control PE71S6309](#)





SP6T Electromechanical Relay Switch DC to 22 GHz, SMA, 20 Watts, 12V Control

Electromechanical Relay Switches Technical Data

PE71S6309

SP6T Electromechanical Relay Switch DC to 22 GHz, SMA, 20 Watts, 12V Control from Pasternack Enterprises has same day shipment for domestic and International orders. Our RF, microwave and millimeter wave products maintain a 99% availability and are part of the broadest selection in the industry.

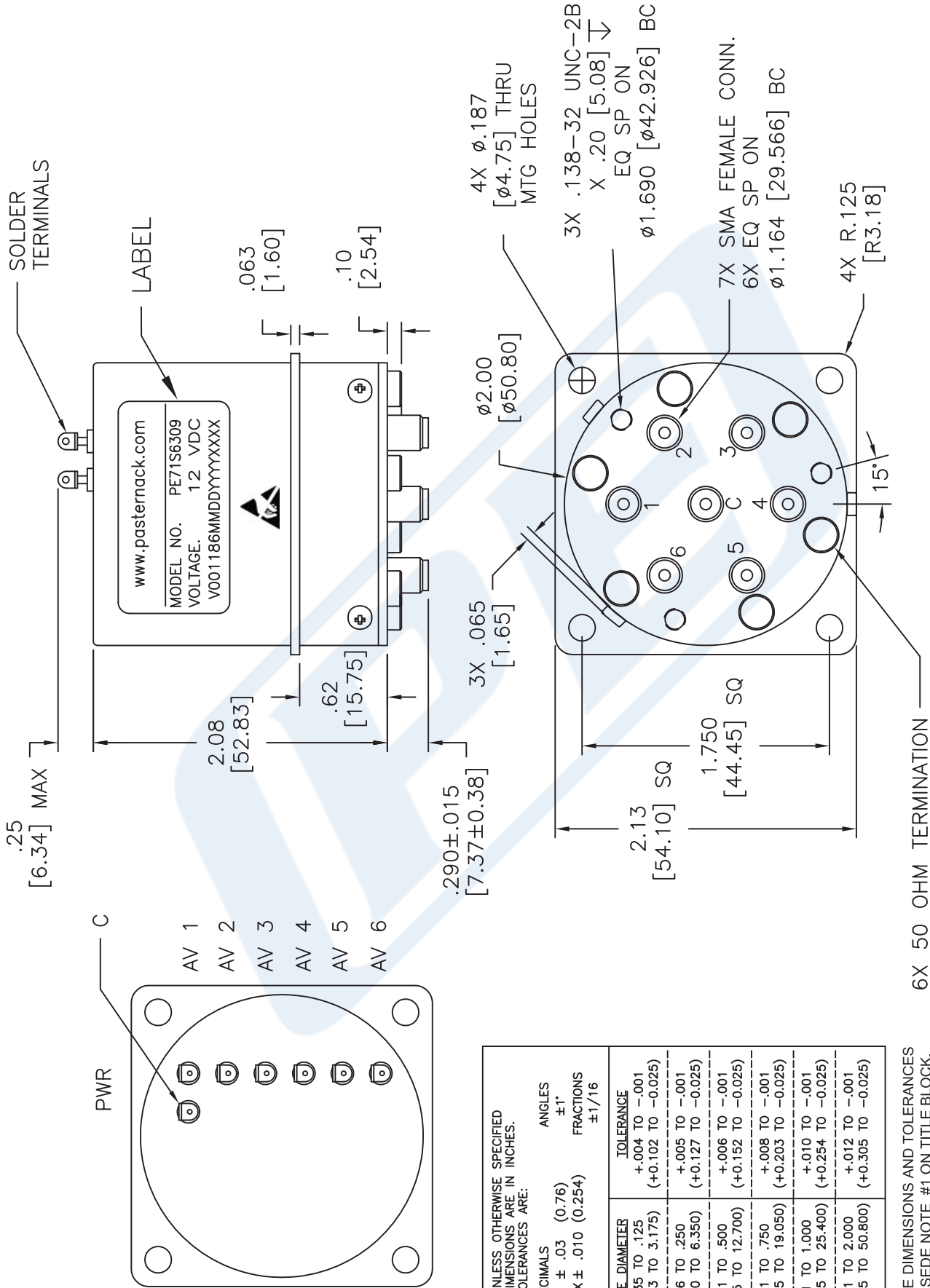
Click the following link (or enter part number in "SEARCH" on website) to obtain additional part information including price, inventory and certifications: [SP6T Electromechanical Relay Switch DC to 22 GHz, SMA, 20 Watts, 12V Control PE71S6309](http://www.pasternack.com/sma-sp6t-electromechanical-relay-switch-22-ghz-pe71s6309-p.aspx)

URL: <http://www.pasternack.com/sma-sp6t-electromechanical-relay-switch-22-ghz-pe71s6309-p.aspx>

The information contained in this document is accurate to the best of our knowledge and representative of the part described herein. It may be necessary to make modifications to the part and/or the documentation of the part, in order to implement improvements. Pasternack reserves the right to make such changes as required. Unless otherwise stated, all specifications are nominal. Pasternack does not make any representation or warranty regarding the suitability of the part described herein for any particular purpose, and Pasternack does not assume any liability arising out of the use of any part or documentation.

PE71S6309 CAD Drawing

SP6T Electromechanical Relay Switch DC to 22 GHz, SMA, 20 Watts, 12V Control



NOTES:
 1. UNLESS OTHERWISE SPECIFIED ALL DIMENSIONS ARE NOMINAL.
 2. ALL SPECIFICATIONS ARE SUBJECT TO CHANGE WITHOUT NOTICE AT ANY TIME.
 3. DIMENSIONS ARE IN INCHES [mm].

DWG TITLE
PE71S6309

PE PASTERNAK®
 THE ENGINEER'S RF SOURCE
 Pasternack Enterprises, Inc.
 P.O. Box 16759 | Irvine | CA | 92623
 Phone: (949) 261-1920 | Fax: (949) 261-7451
 Website: www.pasternack.com | E-Mail: sales@pasternack.com

FSCM NO. 53919
 CAD FILE 090115
 SCALE N/A
 SIZE A
 2233

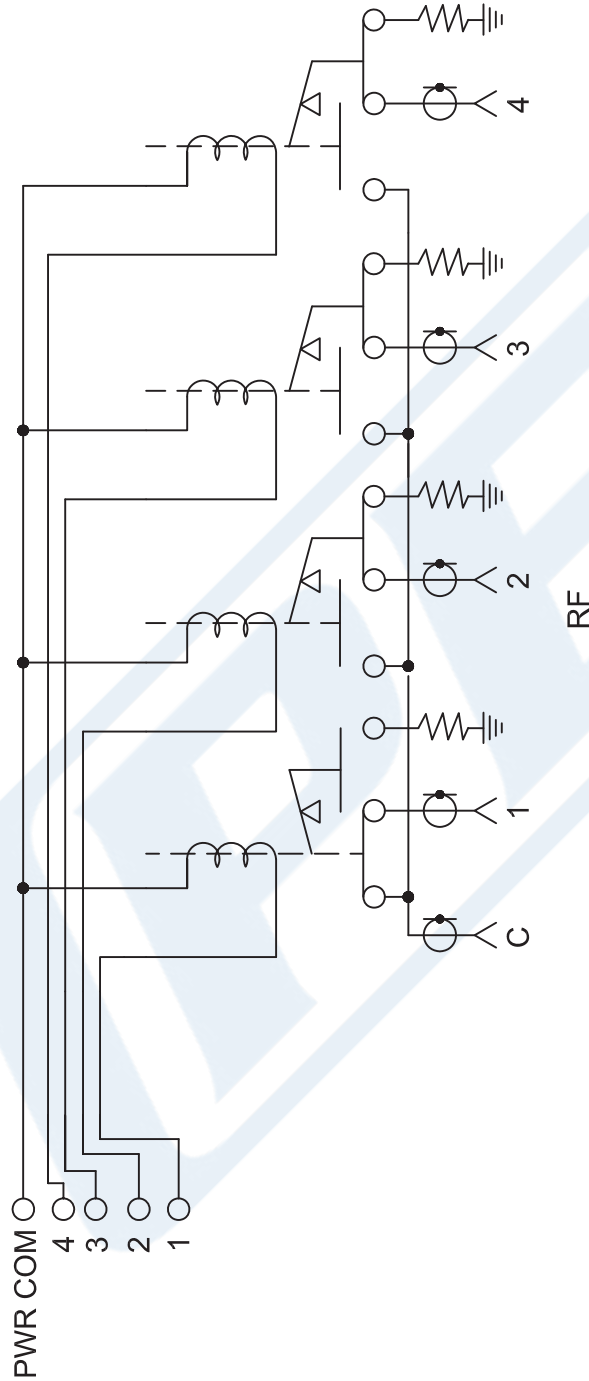
UNLESS OTHERWISE SPECIFIED DIMENSIONS ARE IN INCHES. TOLERANCES ARE:		ANGLES
DECIMALS	FRACTIONS	±1°
.XX ± .03 (0.76)	±1/16	
.XXX ± .010 (0.254)		
HOLE DIAMETER	TOLERANCE	
.0135 TO .125 (0.343 TO 3.175)	+0.004 TO -0.001 (+0.102 TO -0.025)	
.126 TO .250 (3.200 TO 6.350)	+0.005 TO -0.001 (+0.127 TO -0.025)	
.251 TO .500 (6.375 TO 12.700)	+0.006 TO -0.001 (+0.152 TO -0.025)	
.501 TO .750 (12.725 TO 19.050)	+0.008 TO -0.001 (+0.203 TO -0.025)	
.751 TO 1.000 (19.075 TO 25.400)	+0.010 TO -0.001 (+0.254 TO -0.025)	
1.001 TO 2.000 (25.425 TO 50.800)	+0.012 TO -0.001 (+0.305 TO -0.025)	

* THESE DIMENSIONS AND TOLERANCES SUPERSEDE NOTE #1 ON TITLE BLOCK.

6X 50 OHM TERMINATION

PE71S6309 CAD Drawing

SP6T Electromechanical Relay Switch DC to 22 GHz, SMA, 20 Watts, 12V Control



SCHMATIC NORMALLY OPEN SHOWN IN DE-ENERGIZED POSITION

DWG TITLE

PE71S6309

NOTES:
 1. UNLESS OTHERWISE SPECIFIED ALL DIMENSIONS ARE NOMINAL.
 2. ALL SPECIFICATIONS ARE SUBJECT TO CHANGE WITHOUT NOTICE AT ANY TIME.
 3. DIMENSIONS ARE IN INCHES [mm].

FSCM NO. 53919

CAD FILE 090115

SCALE N/A

SIZE A

2233



Pasternack Enterprises, Inc.
 P.O. Box 16759 | Irvine | CA | 92623
 Phone: (949) 261-1920 | Fax: (949) 261-7451
 Website: www.pasternack.com | E-Mail: sales@pasternack.com