

DESCRIPTION

The PT2347 is an audio processor designed for versatile application, it adopts all of functions from successful predecessor- the PT2313L, and it includes 3 stereo input selector with adjustable gain, master volume control with low frequency loudness compensation, individual output attenuator and tone control.

In car audio applications, maximum power output of the audio set is measurement on saturated condition, it may not achieve the goal if power amplifier does not have enough gain, therefore, the PT2347 provides extra +10dB voltage gain in final output stage, it is easy to drive the power amplifier into saturated power and eliminates external gain OPAMP.

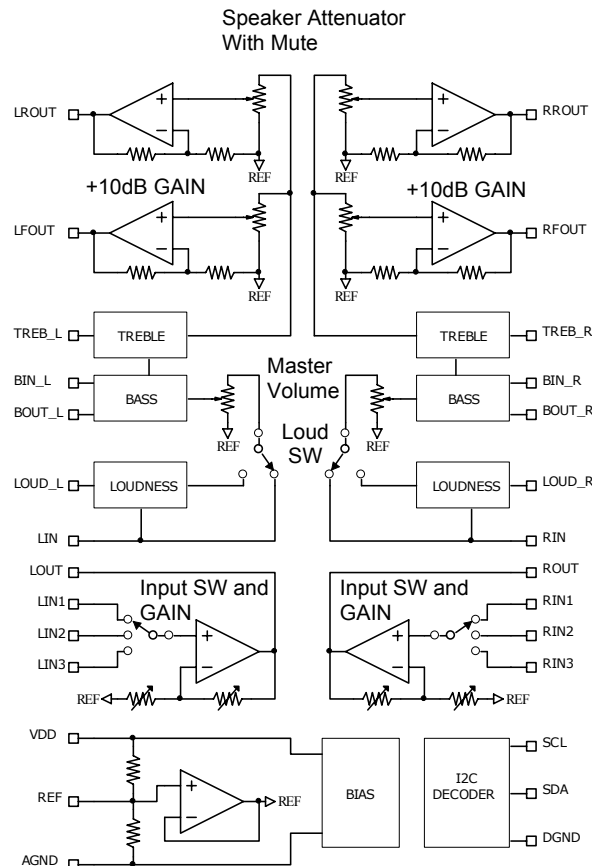
FEATURES

- Controlled by I²C interface
- Direct replace the PT2313L with +10dB output gain
- 3 stereo inputs with gain selection, range from 0dB to +11.25dB in 3.75dB/step
- Master volume from 0dB to -78.75dB in 1.25dB/step
- Speaker attenuator for balance and fader, range from 0dB to -38.75dB in 1.25dB/step
- Each output can be muted individually.
- Low frequency loudness compensation
- Bass and Treble control, range from -14dB to +14dB in 2dB/step
- Wide operation range (VDD = 4V to 10V)
- Low harmonic distortion Low noise

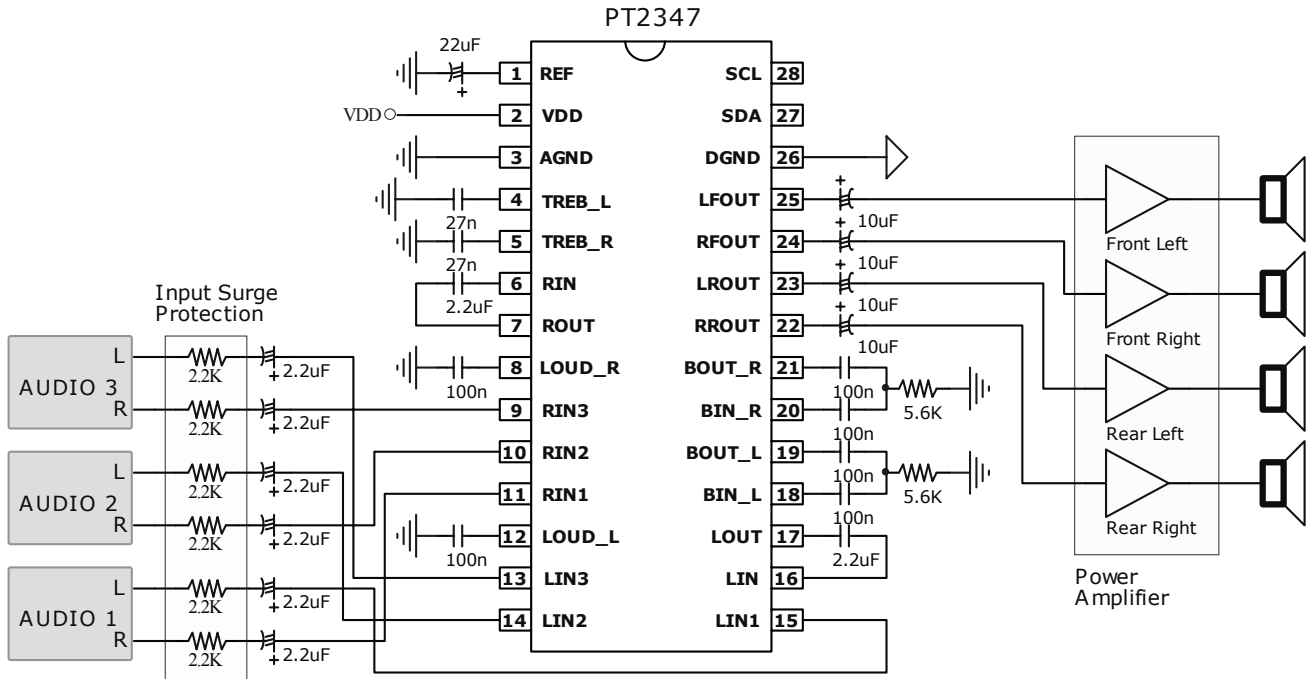
APPLICATIONS

- Car audio
- Home audio system
- Powered speaker system

BLOCK DIAGRAM



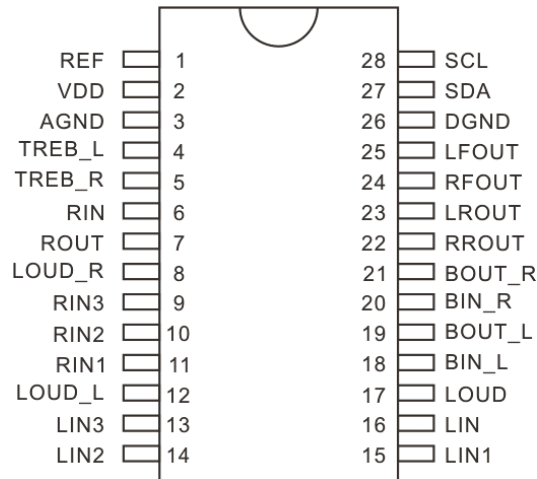
APPLICATION CIRCUIT DIAGRAM



ORDER INFORMATION

Valid Part Number	Package Type	Top Code
PT2347-S	28 Pins, SOP, 300mil	PT2347-S

PIN CONFIGURATION



PIN DESCRIPTION

Pin Name	I/O	Description	Pin No.
REF	-	Analog reference voltage (1/2VDD)	1
VDD	-	Supply input voltage	2
AGND	-	Analog ground	3
TREB_L	I	Left channel input for treble controller	4
TREB_R	I	Right channel input for treble controller	5
RIN	I	Right channel volume controller input	6
ROUT	O	Right channel Input selector output	7
LOUD_R	I	Right channel loudness input	8
RIN3	I	Right channel input 3	9
RIN2	I	Right channel input 2	10
RIN1	I	Right channel input 1	11
LOUD_L	I	Left channel loudness input	12
LIN3	I	Left channel input 3	13
LIN2	I	Left channel input 2	14
LIN1	I	Left channel input 1	15
LIN	I	Left channel volume controller input	16
LOUT	O	Left channel Input selector output	17
BIN_L	I	Left channel input for bass controller	18
BOUT_L	O	Left channel output for bass controller	19
BIN_R	I	Right channel input for bass controller	20
BOUT_R	O	Right channel output for bass controller	21
RROUT	O	Right rear speaker output	22
LROUT	O	Left rear speaker output	23
RFOUT	O	Right front speaker output	24
LFOUT	O	Left front speaker output	25
DGND	-	Digital ground	26
SDA	I	I ² C data input	27
SCL	I	I ² C clock input	28