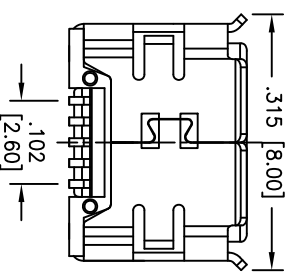
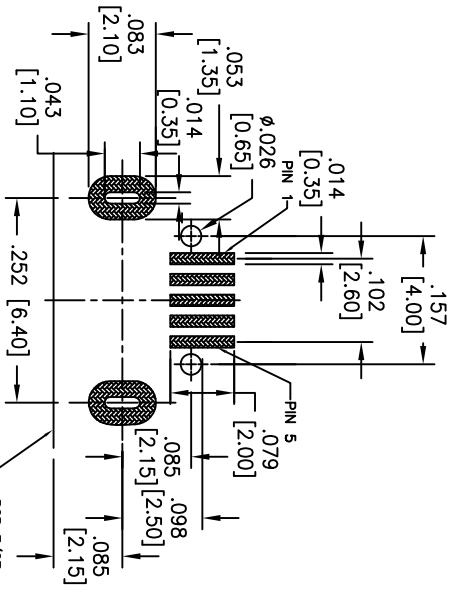
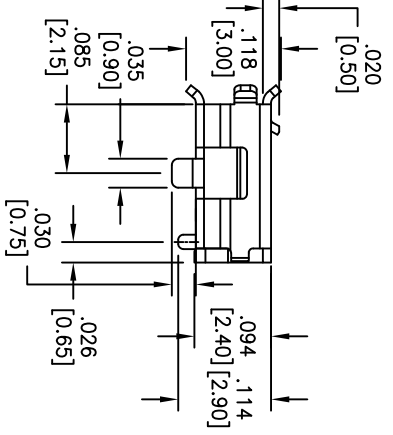
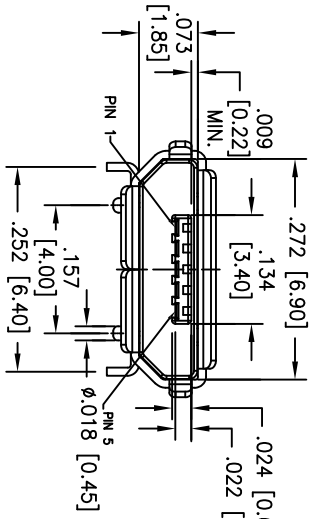
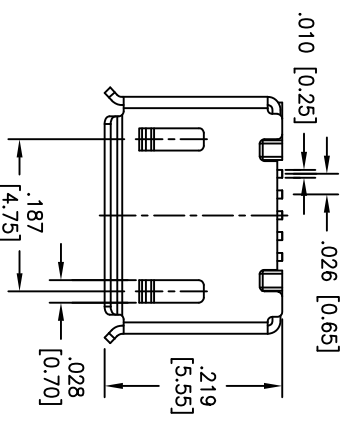


Rev	AWO #	Description	Date	Appr
-		RELEASED	4/12/11	

APPROVED: _____ TITLE: _____
 DATE: _____



SPECIFICATIONS:

- Material: Insulator: LCP, glass reinforced, rated UL 94V-0
- Insulator color: Black
- Contacts: Brass
- Shell: Brass, Matte Tin plated.
- Plating: Gold Flash over Nickel overall
- Electrical:
 - Operating voltage: 30 VAC max.
 - Current rating: 1 Amp max.
 - Contact resistance: 30 mohms max.
 - Insulation resistance: 1000 Mohms min. @ 100 VDC
 - Dielectric withstanding voltage: 1000 VAC for 1 minute
 - Temperature Rating: Operating temperature: -20°C to +85°C
- Packaging: Supplied on Tape & Reel
- Environmental: Lead free, RoHS compliant.
- Recommended soldering temp: 260C for 5 sec.

ADAM TECH

909 Rahway Avenue, Union, NJ 07083
 Phone: 908-687-5000 Fax: 908-687-5710

TITLE		MCR-B-S-RA-SMT-P-T/R	
MICRO USB, TYPE B, SINGLE PORT		SIZE	PART NO.
FEMALE, DIP SHELL, SMT TYPE, TAPE & REEL		X	MCR-B-S-RA-SMT-P-T/R
REV.		SCALE:	NTS
		SHEET	1 OF 1

UNLESS OTHERWISE SPECIFIED ALL DIMENSIONS ARE INCHES [MM] TOLERANCES: EXCEPT AS NOTED	
INCHES	HOLDERS
.X ± .10	ØX ± .10
.XX ± .020	ØXX ± .015
.XXX ± .015	ØXXX ± .010
APPROVALS	DATE
DRAWN	DY
CHECKED	4/12/11
APPROVED	

