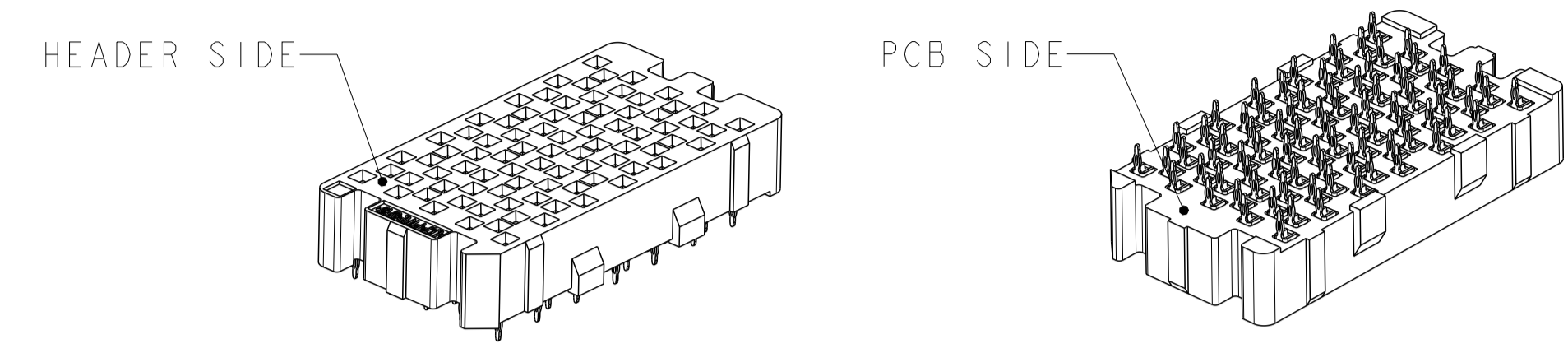
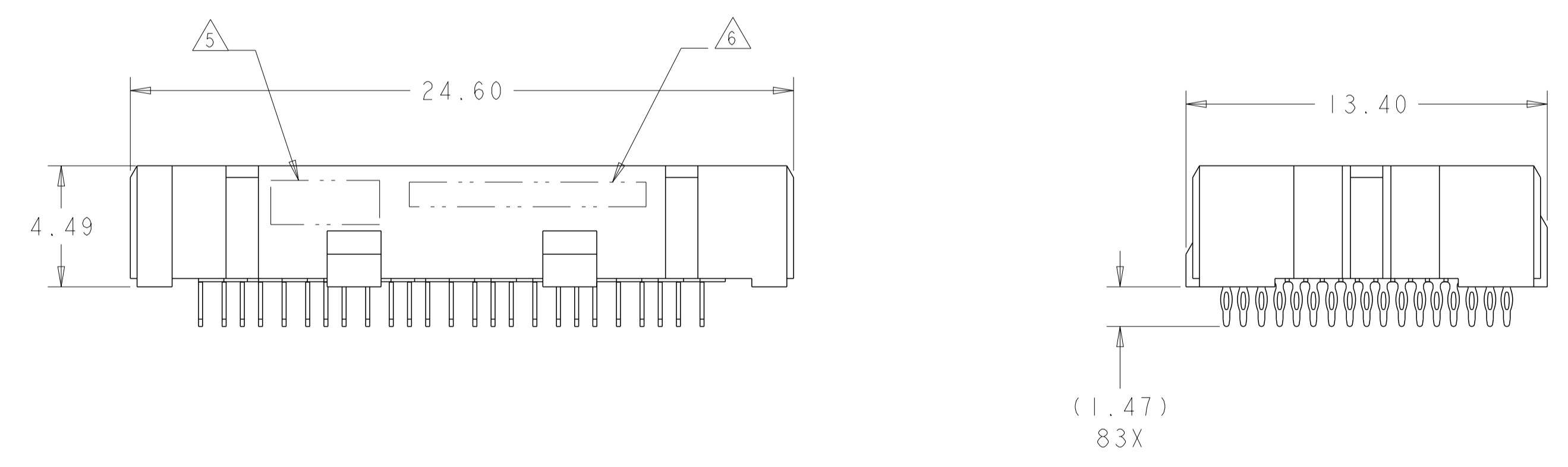
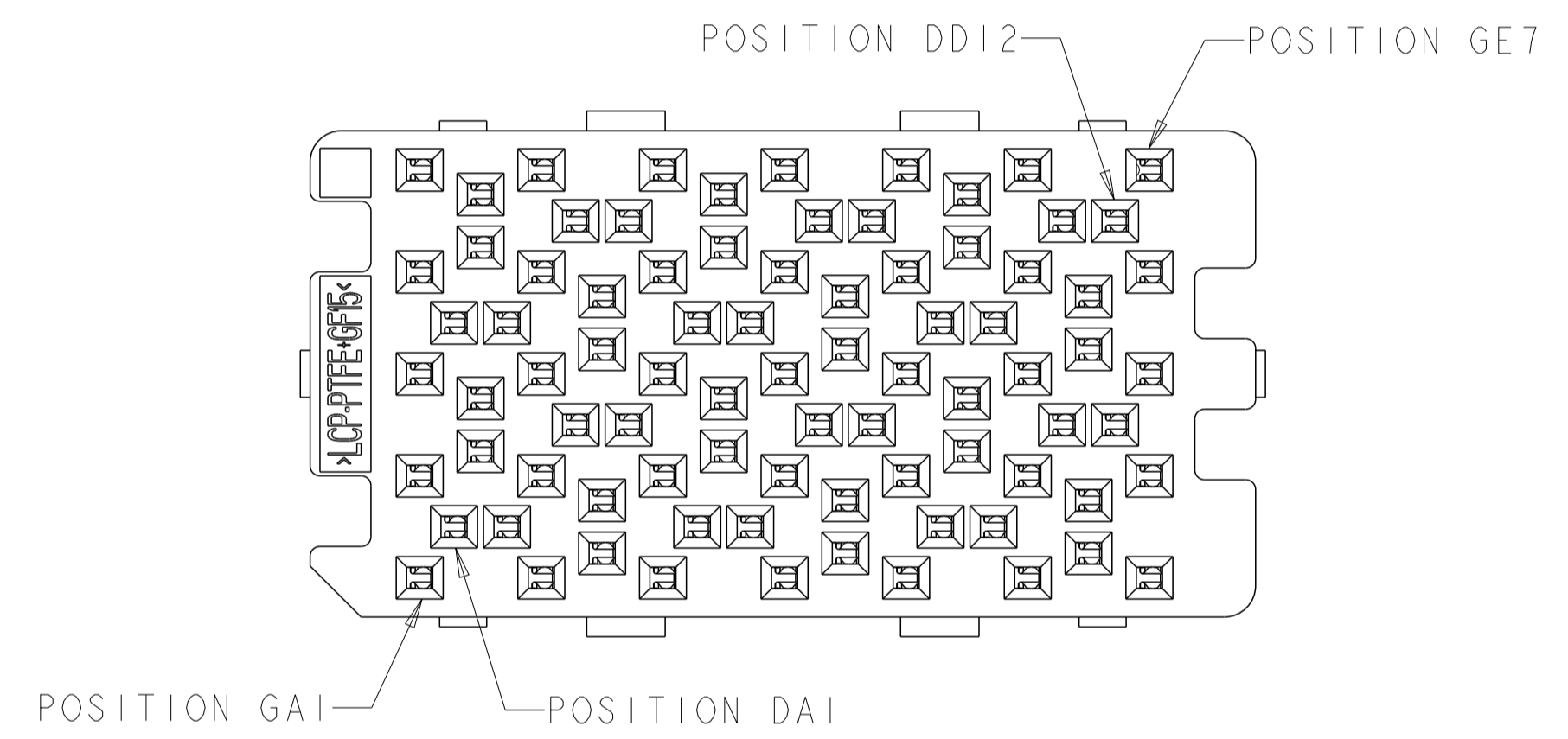


LOC	DIST	REVISIONS					
GP	00	P	LTN	DESCRIPTION	DATE	DWN	APVD
		A		REVISED PER ECO-12-018201	17OCT2012	KH	MH



ISOMETRIC VIEWS  
SCALE 3:1



- △ MATERIAL:  
HOUSING: THERMOPLASTIC, FLAMMABILITY RATING UL94 V-0  
CONTACT: COPPER ALLOY
- 2. CONFORMS TO THE REQUIREMENTS OF TE PRODUCT SPECIFICATION, 108-2375; BASED ON TELCORDIA GR-1217-CORE FOR SYSTEM QUALITY LEVEL III, APPLICATIONS IN CONTROLLED ENVIRONMENTS (CENTRAL OFFICE).  
SEE TE PRODUCT SPECIFICATION 108-2375 FOR TEST SEQUENCES.
- △ ROWS GA THRU GE (SHOWN DARKENED) ARE TYPICALLY USED AS GROUNDS.
- △ SPECIFIED POSITIONAL TOLERANCE DEFINES HOLE TO HOLE LOCATION WITHIN HOLE PATTERN. POSITIONAL TOLERANCE OF HOLE PATTERN TO FIDUCIAL MARKS OR PCB DATUMS SHALL BE DEFINED BY CUSTOMER.
- △ AREA RESERVED FOR TE CONNECTIVITY LOGO.
- △ AREA RESERVED FOR PART NUMBER (X-XXXXXXX-X) AND DATE CODE (YYWW).
- △ USE CENTERLINES INDICATED ON PCB HOLE PATTERN TO ESTABLISH ALIGNMENT BETWEEN HEADER AND RECEPTACLE BOARDS.
- △ PLATED THROUGH HOLE REQUIREMENTS:  
HOLE SIZE PRIOR TO PLATING =  $\varnothing 0.420 \pm 0.013$   
COPPER PLATING THICKNESS =  $0.038 \pm 0.013$   
CALCULATED FINISHED HOLE SIZE =  $\varnothing 0.344 \pm 0.039$   
THESE DIMENSIONS APPLY TO THE TOP 1.25mm OF THE PCB THICKNESS FROM THE CONNECTOR MOUNTING SIDE.

**SIZE 1 HALF WIDE \***  
**24 DIFFERENTIAL PAIRS + GROUNDS**  
**83 TOTAL SIGNAL CONTACTS**

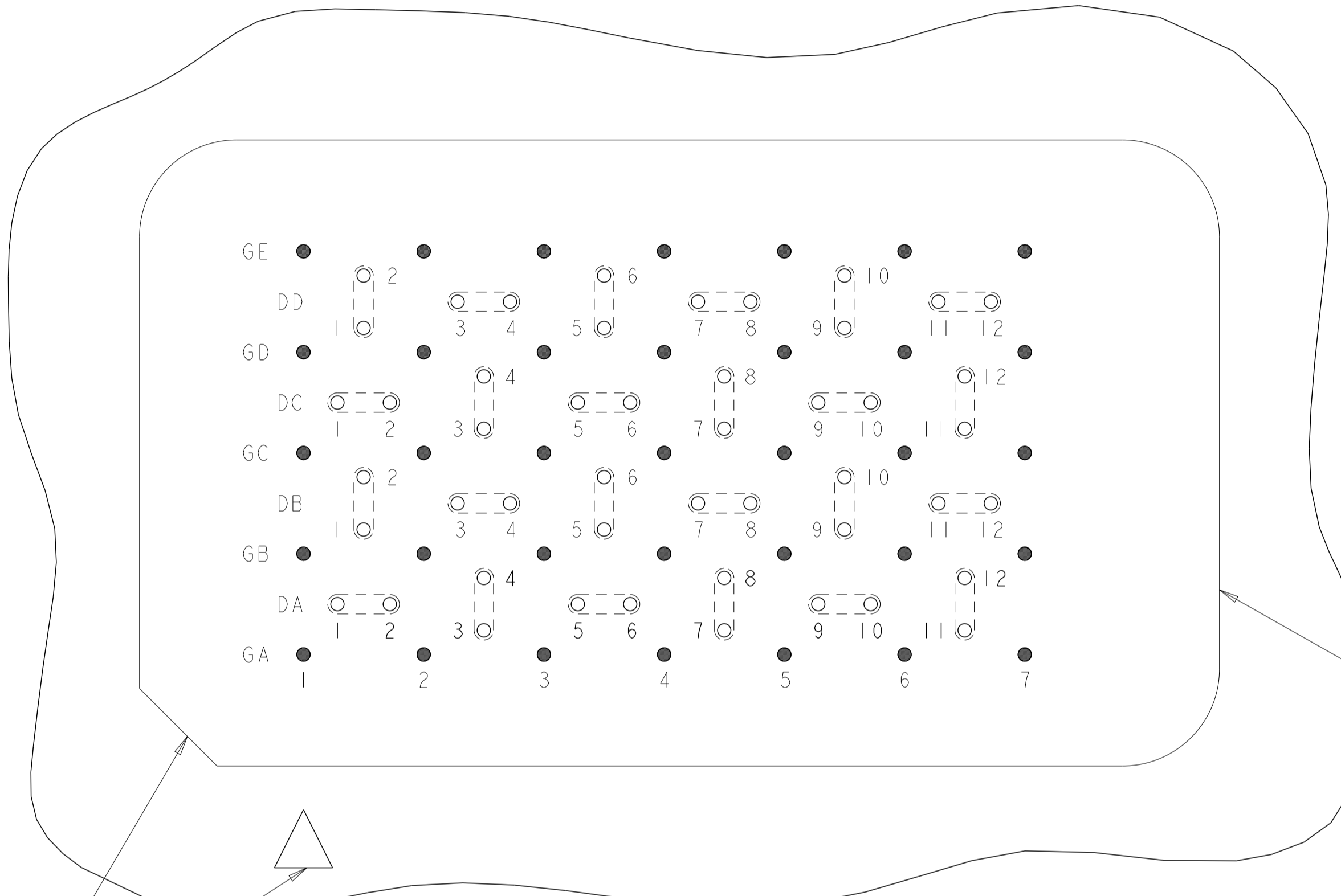
\* SIZE 2 AND SIZE 3 ARE ALSO AVAILABLE

YES	MATTE Sn	5-2143411-1
	Sn/Pb	2143411-1
TOOLED	CONTACT TAIL PLATING	PART NUMBER

THIS DRAWING IS A CONTROLLED DOCUMENT.		DWN HAMNER 01JUL2010
DIMENSIONS:		CHK D. TROUT 06JUL2010
mm	TOLERANCES UNLESS OTHERWISE SPECIFIED:	APVD J. FEDDER 06JUL2010
	0 PLC ±	NAME
	2 PLC ±0.13	RECEPTACLE ASSEMBLY,
	3 PLC ±0.013	HALF-WIDE, 24/83,
	4 PLC ±	STRADA MESA MEZZANINE CONNECTOR
	ANGLES ±1	SIZE CAGE CODE DRAWING NO
	FINISH	RESTRICTED TO
MATERIAL		A100779C=2143411
		CUSTOMER DRAWING

TE Connectivity	
SCALE 6:1 SHEET 1 OF 3 REV A	


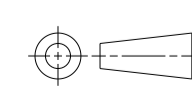
LOC	DIST	REVISIONS					
		P	LTN	DESCRIPTION	DATE	DWN	APVD
GP	00	-	-	SEE SHEET 1	-	-	-



MATED CONNECTOR OUTLINE  
 SEE SHEET 3 FOR LOCATION TO HOLES

A1 CORNER  
 INDICATORS.

**PCB LAYOUT AND PIN IDENTIFICATION**   
 SHOWN FROM CONNECTOR SIDE  
 SCALE 9:1

THIS DRAWING IS A CONTROLLED DOCUMENT.		DWN HAMNER 01 JUL 2010	 TE Connectivity
DIMENSIONS:		CHK D. TROUT 06 JUL 2010	
mm	TOLERANCES UNLESS OTHERWISE SPECIFIED:	APVD J. FEDDER 06 JUL 2010	NAME RECEPTACLE ASSEMBLY, HALF-WIDE, 24/83, STRADA MESA MEZZANINE CONNECTOR
	0 PLC ± 1 PLC ± 2 PLC ±0.13 3 PLC ±0.013 4 PLC ± ANGLES ±1	PRODUCT SPEC 108-2375 APPLICATION SPEC 114-13249	SIZE A100779C=2143411
MATERIAL	FINISH	WEIGHT	RESTRICTED TO
-	-	-	CUSTOMER DRAWING
SCALE 6:1		SHEET 2 OF 3	REV A

