

THIS DRAWING IS UNPUBLISHED. RELEASED FOR PUBLICATION

ATLANTIC VERSION TERMINATOR INTERFACE ADAPTER

PART NUMBER	REVISION	DESCRIPTION	FEED TYPE
2151931-1	A	FINE CRIMP HEIGHT ADJUST	MECHANICAL
2151931-2	A	FINE CRIMP HEIGHT ADJUST	PNEUMATIC
2151931-5	A	FINE CRIMP HEIGHT ADJUST	SERVO LATCH PLATE
2151931-6	A	NON-CRIMP HEIGHT ADJUST	SERVO LATCH PLATE
2151931-7	A	FINE CRIMP HEIGHT ADJUST	NONE
7-2151931-7	A	CRIMP TOOLING KIT	-

APPLICATOR DATA

CRIMP	SIZE	TYPE
WIRE	1.40 mm [.055]	F
INSUL	1.90 mm [.075]	OV

APPLICATOR INSTRUCTIONS 408-10389

TERMINAL DATA: JST TERMINAL JST CRIMP SPECIFICATION

TERMINAL NAME: SXA 2.5mm JST

WIRE STRIP LENGTH	INSULATION DIAMETER RANGE
1.73-2.11 mm [.068-.083 IN]	Ø1.50-1.90 mm [.059-.075 IN]

TERMINAL APPLICATION SPECIFICATION XA-XAD (W-W) CHM-1-170 Rev R3

TERMINALS APPLIED

TE TERMINAL	JST TERMINAL	TE TERMINAL	JST TERMINAL
1572601-1	SXA-01T-P0.6	2113096-1	SXM-01T-P0.6
1572601-2	SXAM-01T-P0.6		

WIRE SIZE	CRIMP HEIGHT mm [INCH]	CRIMP HEIGHT REFERENCE SETTING
20 AWG OR 0.50mm2	0.90+/-0.05 [.035+/-0.002]	7.1
22 AWG OR 0.35mm2	0.80+/-0.05 [.031+/-0.002]	8.2
24 AWG OR 0.20mm2	0.75+/-0.05 [.030+/-0.002]	8.6

- 1 RECOMMENDED SPARE PARTS
- 2 GREASE BEARING SURFACES LIGHTLY
- 3 LUBRICATE DAILY PER THE APPLICATOR INSTRUCTION SHEET SUPPLIED WITH THE APPLICATOR.
- 4 APPLICATOR SPECIFIC DATA TO BE ENTERED INTO BLANK MEMORY CHIP AT ASSEMBLY. SEE BELOW FOR PART NUMBER:
 MECHANICAL FEED WITH "SMART APPLICATOR" CONVERSION: 8-2151931-4
 PNEUMATIC FEED WITH "SMART APPLICATOR" CONVERSION: 8-2151931-4
 SERVO FEED WITH "FINE CRIMP HEIGHT ADJUST": 8-2151931-5
 SERVO FEED WITH "NON-CRIMP HEIGHT ADJUST": 8-2151931-6
- 5 ADJUSTMENT OF THE STRIPPER MAY BE REQUIRED WHEN MOVING THE APPLICATOR BETWEEN BENCH AND LEADMAKER APPLICATIONS.
- 6 APPLY PART NUMBER 1-23419-5 LOCTITE TO THREADS OF ITEMS 62. APPLY PART NUMBER 2-23419-6 LOCTITE TO THREADS OF ITEMS 242. FOR -6 ONLY APPLY PART NUMBER 1-23419-5 LOCTITE TO THREADS OF ITEMS 37.
- 7 GREASE THREADS, GROOVE AND O-RING ON ITEMS 35 & 252.
- 8 MAGNET, ITEM 166 MUST BE ORIENTED CORRECTLY IN ORDER TO PROPERLY ACTUATE THE COUNTER.
- 9 CRIMP HEIGHT REFERENCE SETTING WAS THE SETTING USED WHEN THE APPLICATOR WAS QUALIFIED AT THE FACTORY. ADJUSTMENT MAY BE NECESSARY WHEN RUNNING APPLICATOR IN THE FIELD.
- 10 SPARE FEED CAM STORAGE LOCATION REFER TO INSTRUCTION SHEET FOR ADDITIONAL INFORMATION.
- 11 TO CONVERT THE APPLICATOR TO A NON-CARRIER CUTTING STYLE, REMOVE ITEM 13 AND ATTACH TO THE LOCATION ON THE BACK SIDE OF THE HOUSING. REFER TO INSTRUCTION SHEET FOR ADDITIONAL INFORMATION.
- 12 WHEN ASSEMBLING A NON CRIMP HEIGHT ADJUST APPLICATOR (-6) USE SHIMS FROM ITEM 260 TO ACHIEVE A NOMINAL SHIM HEIGHT OF 4.90.

***WARNING**
 ON INSTALLATION, SET WIRE DISC, ITEM 40 TO LARGEST WIRE SIZE SETTING. USE OF SETTINGS BELOW MINIMUM REQUIRED CRIMP HEIGHT SETTING WILL CAUSE DAMAGE TO CRIMP TOOLING.

ATLANTIC VERSION
 Shown on sheets 1 of 4 & 2 of 4
 (Pacific version shown on sheets 3 of 4 & 4 of 4)

REV	DATE	DESCRIPTION	BY	CHK
A	23JUL2013	RELEASED	LG	GB
A1	25AUG2016	ECR-16-012205	RS	LZ

REV	DATE	DESCRIPTION	BY	CHK	ITEM NO.					
-	-	1	-	-	2119957-2	APPLICATOR SHIM PACK	260			
-	-	1	1	1	8-21084-0	O-RING, .676 ID, .070 DIA. MAT.	252			
-	-	-	-	1	2119640-1	PUSH ROD, AIR FEED	250			
-	-	-	-	1	2079988-1	BUSHING, LCH5-12, MISUMI	249			
-	-	-	-	1	2119641-1	FEED CAM, AIR FEED	248			
-	-	1	-	1	2119798-1	DETENT PIN	247			
-	-	1	1	1	1-22279-3	SPRING, COMPRESSION	246			
-	-	1	-	-	2119758-1	RAM, AMP STYLE, SIDE FEED, NON-ADJ.	245			
-	-	1	1	1	2119082-8	CAM, SNAIL, INSULATION ADJUSTMENT	244			
-	-	1	1	1	2079764-1	WASHER, WAVE SPRING, CREST-TO-CREST	243			
-	-	1	1	1	2119083-1	RETAINER, INSULATION DIAL	242			
-	-	1	1	1	7-18023-7	SCR, SKT HD CAP M3 X 4.0	241			
-	-	2	2	-	2168400-6	SHCS, LOW HEAD, RoHS, M5 X 16	240			
-	-	-	-	1	2119580-1	MECHANICAL FEED ASSEMBLY	239			
-	-	-	-	1	2063440-1	AIR FEED MODULE	238			
-	-	1	1	-	2119740-2	TAG IDENTIFICATION	213			
-	-	1	1	-	1901094-3	SPACER, FEEDER	198			
-	-	-	-	2	21045-3	RING, RETAIN, EXTERN, 3/16 CRESCENT	172			
-	-	1	1	1	994969-1	MAGNET, RARE EARTH HIGH ENERGY	166			
-	REF	REF	REF	REF	994970-2	COUNTER, MAGNETIC	164			
-	-	-	-	1	240638-1	SPRING, FEED FINGER	163			
-	-	-	-	1	3-23627-7	PIN, RETAIN, GRVD, 3/16 X .854	137			
-	-	-	-	1	2119799-1	HOLDER, FEED FINGER, AF	136			
-	-	REF	REF	-	SEE NOTE 4	MEMORY CHIP, PROGRAMMED	135			
-	-	1	1	-	1633743-1	SERVO FEED LATCH ASM	133			
-	-	1	1	1	1-18028-2	WASHER, FLAT, REG M4	119			
-	-	REF	REF	-	2119944-1	FEED FINGER ASSEMBLY, SF	117			
-	-	1	1	1	1-455888-7	SPACER, CRIMPER	82			
-	-	1	1	1	5-547505-2	SPRING, COMPRESSION	77			
-	-	1	1	1	854769-4	HOLDER, INS	74			
-	-	1	1	1	2119956-1	DOCUMENTATION PACKAGE	71			
-	-	1	-	1	2119740-1	TAG IDENTIFICATION	67			
-	-	2	2	2	2168078-1	SCREW, DRIVE, RH, RoHS, 2 x .188	66			
-	-	1	-	1	2119793-1	LIMITER, ADJUSTMENT BOLT	63			
-	-	3	-	3	992763-5	SCR, SET, SOC, CONE POINT, M3 x 4.0	62			
-	-	1	1	1	2079383-4	SCR, BHSC, RoHS (M4 X 8)	60			
-	-	-	-	1	5-18022-5	SCR, HEX HD CAP, M4 X 6.0	59			
-	-	1	1	1	21028-2	PIN, SLOTTED SPRING .062 X .250	58			
-	-	-	-	1	1338685-1	PAWL, FEED	56			
-	-	4	4	4	2168400-1	SHCS, LOW HEAD, RoHS, M4 X 12	54			
-	-	-	-	1	18023-9	SCR, SKT HD CAP M4 X 6.0	49			
-	-	-	-	1	2119652-1	FEED CAM, PRE FEED	48			
-	-	-	-	1	2119653-1	FEED CAM, POST FEED	47			
-	-	1	1	1	2119656-9	APPLICATOR BASIC ASSEMBLY, SF	46			
-	-	1	-	1	2119370-1	RAM, AMP STYLE, SIDE FEED	44			
-	-	1	1	1	2079383-7	SCR, BHSC, RoHS (M8 X 25)	41			
-	-	1	-	1	2119645-1	DISC, NUMBERED FA WIRE ADJUSTMENT	40			
-	-	1	-	1	2119957-1	APPLICATOR SHIM PACK	39			
-	-	1	1	1	2119644-1	RAM WASHER, PRECISION	38			
-	-	1	1	1	2119085-1	FA HEAD, ATLANTIC STYLE	37			
-	-	1	-	1	2119092-1	BOLT, ADJUSTMENT	35			
-	-	1	1	1	2-1752356-3	SUPPORT, TERMINAL	34			
-	-	2	2	2	2079383-5	SCR, BHSC, RoHS (M4 X 20)	33			
-	-	1	1	1	2161328-1	HEX HEAD, FLANGED, M5 x 8mm LONG	32			
-	-	1	1	1	1320908-3	SPACER, STRIP GUIDE	30			
-	-	1	1	1	2119959-1	ASSEMBLY, STRIP GUIDE	29			
-	-	1	1	1	455888-3	SPACER, CRIMPER	28			
-	-	1	1	1	1320928-2	STRIP GUIDE	24			
-	-	1	1	1	2168083-2	SCR, SKT HD CAP, RoHS, M4 X 8.0	21			
-	-	1	1	1	1-18028-2	WASHER, FLAT, REG M4	20			
-	-	1	1	1	2119533-3	STRIPPER, SIDE FEED	19			
-	-	1	1	1	2119806-1	INSERT, SHEAR	13			
-	-	1	1	1	3-22280-3	SPRING, COMPRESSION	12			
-	-	1	1	1	1-356885-4	STOP, SHEAR	11			
-	-	1	1	1	2119805-1	SHEAR HOLDER, FRONT	10			
-	-	1	1	1	1633861-1	SHEAR, FLOATING	9			
-	-	1	1	1	1-1633917-5	ANVIL, COMBINATION	8			
-	-	-	-	-	-	-	7			
-	-	-	-	-	-	-	6			
-	-	1	1	1	1-2119780-1	DEPRESSOR, SHEAR	5			
-	-	1	1	1	2-238011-0	BLOCK, CRIMPER SPACER	4			
-	-	1	1	1	1-1633964-2	CRIMPER, INSULATION OVERLAP PREMIUM	3			
-	-	1	1	1	455888-3	SPACER, CRIMPER	2			
-	-	1	1	1	3-456402-4	CRIMPER, WIRE PREMIUM	1			
-	-	77	-7	-6	-5	-2	-1	PART NO	DESCRIPTION	ITEM NO.

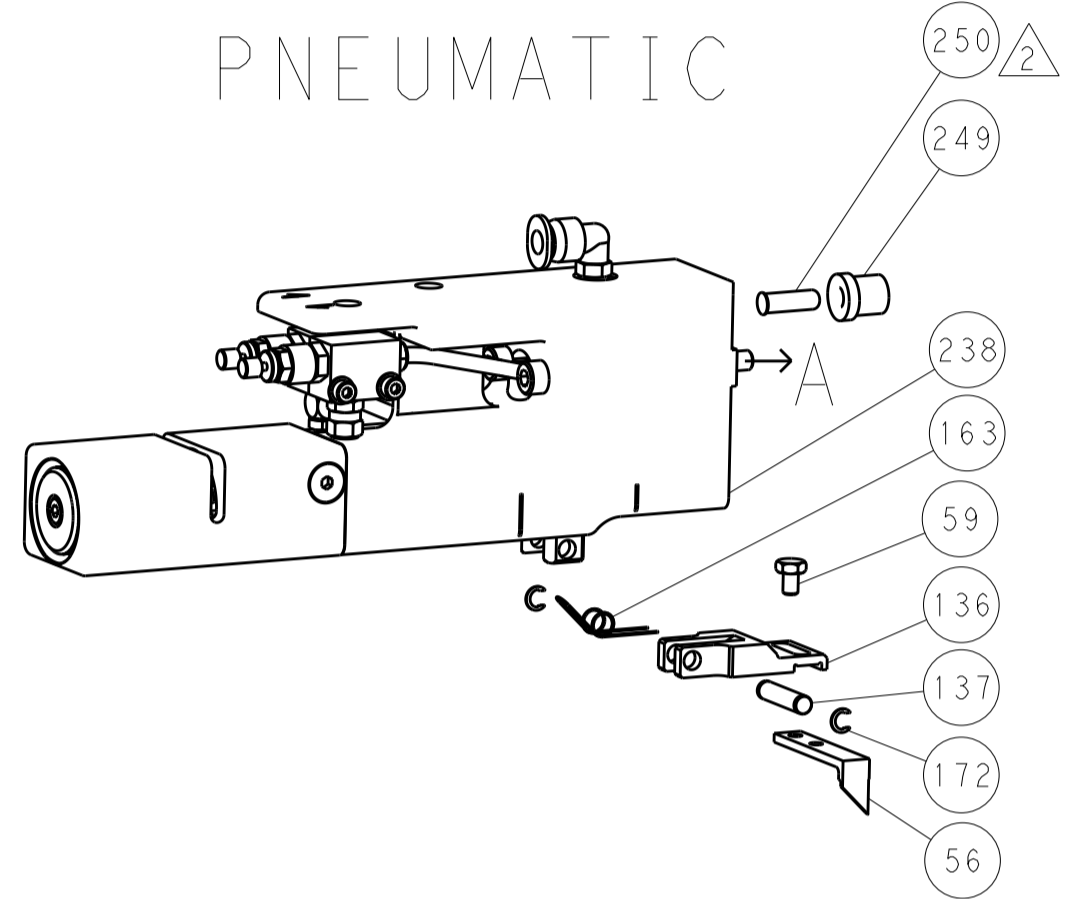
DIMENSIONS:	TOLERANCES UNLESS OTHERWISE SPECIFIED:	APPROVED:	DATE:
mm	0 PLC ± 1 PLC ± 2 PLC ± 3 PLC ± 4 PLC ± ANGLES ±	C. LIMA	05APR2013
MATERIAL:	FINISH:	WEIGHT:	SCALE: 1:1
Customer Accessible Production Drawing		Customer Accessible Production Drawing	SHEET 1 OF 4

LOC	DIST	REV	DATE	BY	APPV
A	66				

FEED TYPE MECHANICAL



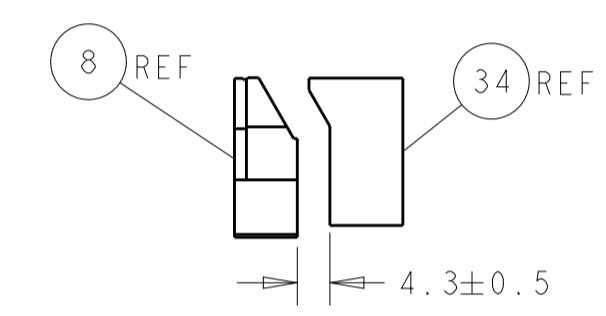
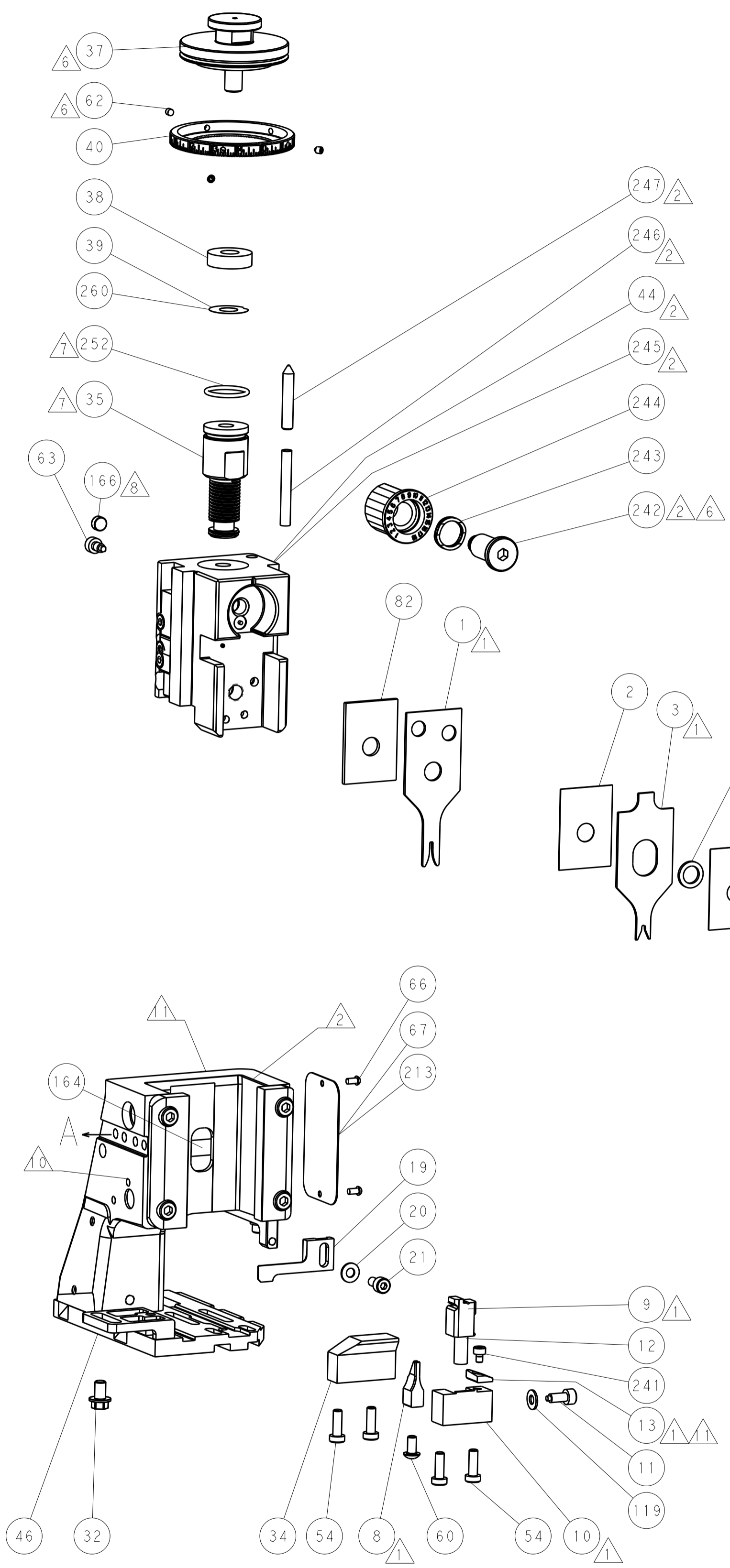
PNEUMATIC



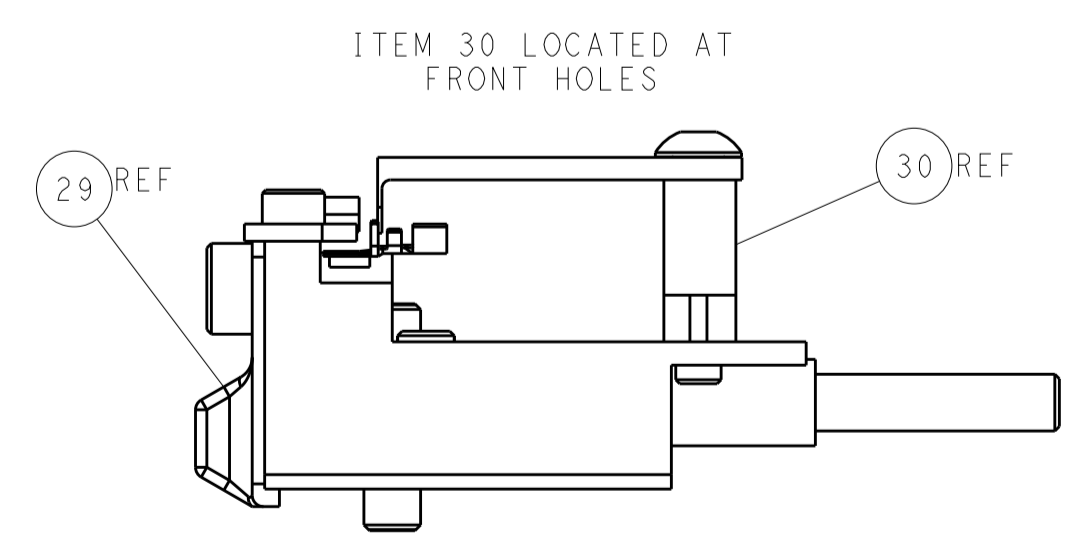
SERVO LATCH PLATE



CAM POSITIONS



TERMINAL SUPPORT LOCATION



FEED TRACK POSITION GUIDE BY INSULATION BARREL

ATLANTIC VERSION
 Shown on sheets 1 of 4 & 2 of 4
 (Pacific version shown on sheets 3 of 4 & 4 of 4)

DIMENSIONS: mm 		TOLERANCES UNLESS OTHERWISE SPECIFIED: 0 PLC ± 1 PLC ± 2 PLC ± 3 PLC ± 4 PLC ± ANGLES ±		DWN S. ALVES 05APR2013 CHK P. BARLETTA 05APR2013 APVD C. LIMA 05APR2013 PRODUCT SPEC APPLICATION SPEC WEIGHT Customer Accessible Production Drawing		NAME Ocean Side Feed Applicator SIZE CAGE CODE DRAWING NO. A1 00779 ©=2151931 SCALE 1:1 SHEET 2 OF 4 REV A1		RESTRICTED TO	
MATERIAL:		FINISH:		TE Connectivity Harrisburg, PA 17105-3608		SHEETS 3 & 4 ARE NOT REQUIRED FOR ATLANTIC VERSION			

PACIFIC VERSION TERMINATOR INTERFACE ADAPTER	PART NUMBER	REVISION	DESCRIPTION	FEED TYPE	APPLICATOR STYLE CONVERSION CHART						
					CONVERT TO	PART NUMBERS REQUIRED					
	2-2151931-1	A	FINE CRIMP HEIGHT ADJUST	MECHANICAL	PNEUMATIC FEED	2119950-1	1338685-1	5-18022-5	2119641-2	2119799-1	2063440-1
					SERVO LATCH PLATE	2119951-1	-	8-2151931-5	1901094-3	1-1752354-8	2168400-6 (QUANTITY 2)
					SMART APPLICATOR	2161326-1	-	8-2151931-4	-	-	-
	2-2151931-2	A	FINE CRIMP HEIGHT ADJUST	PNEUMATIC	MECHANICAL FEED	2119949-1	1338685-1	5-18022-5	2119653-2	-	-
					SERVO LATCH PLATE	2119951-1	-	8-2151931-5	1901094-3	1-1752354-8	2168400-6 (QUANTITY 2)
					SMART APPLICATOR	2161326-1	-	8-2151931-4	-	-	-
	2-2151931-5	A	FINE CRIMP HEIGHT ADJUST	SERVO LATCH PLATE ⁴	MECHANICAL FEED	2119949-1	1338685-1	5-18022-5	2119653-2	-	-
					PNEUMATIC FEED	2119950-1	1338685-1	5-18022-5	2119641-2	2119799-1	2063440-1
	2-2151931-7	A	FINE CRIMP HEIGHT ADJUST	NONE	-	-	-	-	-	-	-
	7-2151931-7	A	CRIMP TOOLING KIT	-	-	-	-	-	-	-	-

APPLICATOR DATA		
CRIMP	SIZE	TYPE
WIRE	1.40 mm [.055]	F
INSUL	1.90 mm [.075]	OV
APPLICATOR INSTRUCTIONS 408-10389		

TERMINAL DATA: JST TERMINAL		JST CRIMP SPECIFICATION	
TERMINAL NAME: SXA 2.5mm JST			
WIRE STRIP LENGTH 1.73-2.11 mm [.068-.083 IN]		INSULATION DIAMETER RANGE Ø1.50-1.90 mm [.059-.075 IN]	
TERMINAL APPLICATION SPECIFICATION XA-XAD (W-W) CHM-1-170 Rev R3			
TERMINALS APPLIED			
TE TERMINAL	JST TERMINAL	TE TERMINAL	JST TERMINAL
1572601-1	SXA-01T-P0.6	2113096-1	SXM-01T-P0.6
1572601-2	SXAM-01T-P0.6		

WIRE SIZE	CRIMP HEIGHT mm [INCH]	CRIMP HEIGHT REFERENCE SETTING
20 AWG OR 0.50mm ²	0.90 +/- 0.05 [.035 +/- .002]	7.1
22 AWG OR 0.35mm ²	0.80 +/- 0.05 [.031 +/- .002]	8.2
24 AWG OR 0.20mm ²	0.75 +/- 0.05 [.030 +/- .002]	8.6

- RECOMMENDED SPARE PARTS
- GREASE BEARING SURFACES LIGHTLY
- 3. LUBRICATE DAILY PER THE APPLICATOR INSTRUCTION SHEET SUPPLIED WITH THE APPLICATOR.
- APPLICATOR SPECIFIC DATA TO BE ENTERED INTO BLANK MEMORY CHIP AT ASSEMBLY. SEE BELOW FOR PART NUMBER:
 MECHANICAL FEED WITH "SMART APPLICATOR" CONVERSION: 8-2151931-4
 PNEUMATIC FEED WITH "SMART APPLICATOR" CONVERSION: 8-2151931-4
 SERVO FEED WITH "FINE CRIMP HEIGHT ADJUST": 8-2151931-5
- 5. ADJUSTMENT OF THE STRIPPER MAY BE REQUIRED WHEN MOVING THE APPLICATOR BETWEEN BENCH AND LEADMAKER APPLICATIONS.
- APPLY PART NUMBER 1-23419-5 LOCTITE TO THREADS OF ITEMS 62. APPLY PART NUMBER 2-23419-6 LOCTITE TO THREADS OF ITEMS 242.
- GREASE THREADS, GROOVE AND O-RING ON ITEMS 139 & 152.
- MAGNET MUST BE ORIENTED CORRECTLY IN ORDER TO PROPERLY ACTUATE THE COUNTER.
- CRIMP HEIGHT REFERENCE SETTING WAS THE SETTING USED WHEN THE APPLICATOR WAS QUALIFIED AT THE FACTORY. ADJUSTMENT MAY BE NECESSARY WHEN RUNNING APPLICATOR IN THE FIELD.
- SPARE FEED CAM STORAGE LOCATION REFER TO INSTRUCTION SHEET FOR ADDITIONAL INFORMATION.
- TO CONVERT THE APPLICATOR TO A NON-CARRIER CUTTING STYLE, REMOVE ITEM 13 AND ATTACH TO THE LOCATION ON BACK SIDE OF THE HOUSING. REFER TO INSTRUCTION SHEET FOR ADDITIONAL INFORMATION.

*WARNING
 ON INSTALLATION, SET WIRE DISC, ITEM 40 TO LARGEST WIRE SIZE SETTING. USE OF SETTINGS BELOW MINIMUM REQUIRED CRIMP HEIGHT SETTING WILL CAUSE DAMAGE TO CRIMP TOOLING.

PACIFIC VERSION
 Shown on sheets 3 of 4 & 4 of 4
 (Atlantic version shown on sheets 1 of 4 & 2 of 4)

SET UP GAUGE	LOC	DIST	REVISIONS					
2119599-1	A	66	P	LTN	DESCRIPTION	DATE	OWN	APVD
			-	-	SEE SHEET 1	-	-	-

-	1	1	1	1	2119782-1	FINE ADJUST HEAD ASM, PACIFIC STYLE	251
-	-	-	1	-	2119640-1	PUSH ROD, AIR FEED	250
-	-	-	1	-	2079988-1	BUSHING, LCH5-12, MISUMI	249
-	1	1	1	1	1-22279-3	SPRING, COMPRESSION	246
-	1	1	1	1	2119082-8	CAM, SNAIL, INSULATION ADJUSTMENT	244
-	1	1	1	1	2079764-1	WASHER, WAVE SPRING, CREST-TO-CREST	243
-	1	1	1	1	2119083-1	RETAINER, INSULATION DIAL	242
-	1	1	1	1	7-18023-7	SCR, SKT HD CAP M3 X 4.0	241
-	-	2	-	-	2168400-6	SHCS, LOW HEAD, RoHS, M5 X 16	240
-	-	-	-	1	2119580-1	MECHANICAL FEED ASSEMBLY	239
-	-	-	1	-	2063440-1	AIR FEED MODULE	238
-	-	1	-	-	2119740-2	TAG, IDENTIFICATION	213
-	-	1	-	-	1901094-3	SPACER, FEEDER	198
-	-	-	2	-	21045-3	RING, RETAIN, EXTERN, 3/16 CRESCENT	172
-	1	1	1	1	994969-1	MAGNET, RARE EARTH HIGH ENERGY	166
-	REF	REF	REF	REF	994970-2	COUNTER, MAGNETIC	164
-	-	-	1	-	240638-1	SPRING, FEED FINGER	163
-	1	1	1	1	8-21084-1	O-RING, .801 ID, .070 DIA. MAT.	152
-	-	-	1	-	2119641-2	FEED CAM, AIR FEED	151
-	1	1	1	1	2119798-2	DETENT PIN	145
-	1	1	1	1	2079383-8	SCR, BHSC, RoHS (M4 X 16)	144
-	4	4	4	4	2168400-5	SHCS, LOW HEAD, RoHS, M4 X 20	143
-	-	-	-	1	2119653-2	FEED CAM, POST FEED	142
-	1	1	1	1	1-2119656-0	APPLICATOR BASIC ASSEMBLY, SF	141
-	1	1	1	1	2119650-1	RAM, ASIAN STYLE, SIDE FEED	140
-	1	1	1	1	2119092-2	BOLT, ADJUSTMENT	139
-	-	-	1	-	3-23627-7	PIN, RETAIN, GRVD, 3/16 X .854	137
-	-	-	1	-	2119799-1	HOLDER, FEED FINGER, AF	136
-	-	REF	-	-	SEE NOTE 4	MEMORY CHIP, PROGRAMMED	135
-	-	1	-	-	1633743-1	SERVO FEED LATCH ASM	133
-	1	1	1	1	1-18028-2	WASHER, FLAT, REG M4	119
-	-	REF	-	-	2119944-1	FEED FINGER ASSEMBLY, SF	117
-	1	1	1	1	1-455888-7	SPACER, CRIMPER	82
-	1	1	1	1	5-547505-2	SPRING, COMPRESSION	77
-	1	1	1	1	854769-4	HOLDER, INS	74
-	1	1	1	1	2119956-1	DOCUMENTATION PACKAGE	71
-	1	-	1	1	2119740-1	TAG, IDENTIFICATION	67
-	2	2	2	2	2168078-1	SCREW, DRIVE, RH, RoHS, 2 x .188	66
-	1	1	1	1	2119793-1	LIMITER, ADJUSTMENT BOLT	63
-	3	3	3	3	992763-5	SCR, SET, SOC, CONE POINT, M3 X 4.0	62
-	-	-	1	1	5-18022-5	SCR, HEX HD CAP, M4 X 6.0	59
-	1	1	1	1	21028-2	PIN, SLOTTED SPRING .062 X .250	58
-	-	-	1	1	1338685-1	PAWL, FEED	56
-	-	-	1	2	18023-9	SCR, SKT HD CAP M4 X 6.0	49
-	-	-	-	1	2119652-1	FEED CAM, PRE FEED	48
-	1	1	1	1	2079383-7	SCR, BHSC, RoHS (M8 X 25)	41
-	1	1	1	1	2119645-1	DISC, NUMBERED FA WIRE ADJUSTMENT	40
-	1	1	1	1	2119957-1	APPLICATOR SHIM PACK	39
-	1	1	1	1	2119644-1	RAM WASHER, PRECISION	38
-	1	1	1	1	2-1752356-3	SUPPORT, TERMINAL	34
-	2	2	2	2	2079383-5	SCR, BHSC, RoHS (M4 X 20)	33
-	1	1	1	1	2161328-1	HEX HEAD, FLANGED, M5 X 8mm LONG	32
-	1	1	1	1	1320908-3	SPACER, STRIP GUIDE	30
-	1	1	1	1	2119959-1	ASSEMBLY, STRIP GUIDE	29
-	1	1	1	1	455888-3	SPACER, CRIMPER	28
-	1	1	1	1	1320928-2	STRIP GUIDE	24
-	1	1	1	1	2168083-2	SCR, SKT HD CAP, RoHS, M4 X 8.0	21
-	1	1	1	1	1-18028-2	WASHER, FLAT, REG M4	20
-	1	1	1	1	2119533-3	STRIPPER, SIDE FEED	19
-	1	1	1	1	2119806-1	INSERT, SHEAR	13
-	1	1	1	1	3-22280-3	SPRING, COMPRESSION	12
-	1	1	1	1	1-356885-4	STOP, SHEAR	11
-	1	1	1	1	2119805-1	SHEAR HOLDER, FRONT	10
-	1	1	1	1	1633861-1	SHEAR, FLOATING	9
-	1	1	1	1	1-1633917-5	ANVIL, COMBINATION	8
-	-	-	-	-	-	-	7
-	-	-	-	-	-	-	6
-	1	1	1	1	1-2119780-1	DEPRESSOR, SHEAR	5
-	1	1	1	1	2-238011-0	BLOCK, CRIMPER SPACER	4
-	1	1	1	1	1-1633964-2	CRIMPER, INSULATION OVERLAP PREMIUM	3
-	1	1	1	1	455888-3	SPACER, CRIMPER	2
-	1	1	1	1	3-456402-4	CRIMPER, WIRE PREMIUM	1
-	77	-27	-25	-22	-21	PART NO	ITEM NO

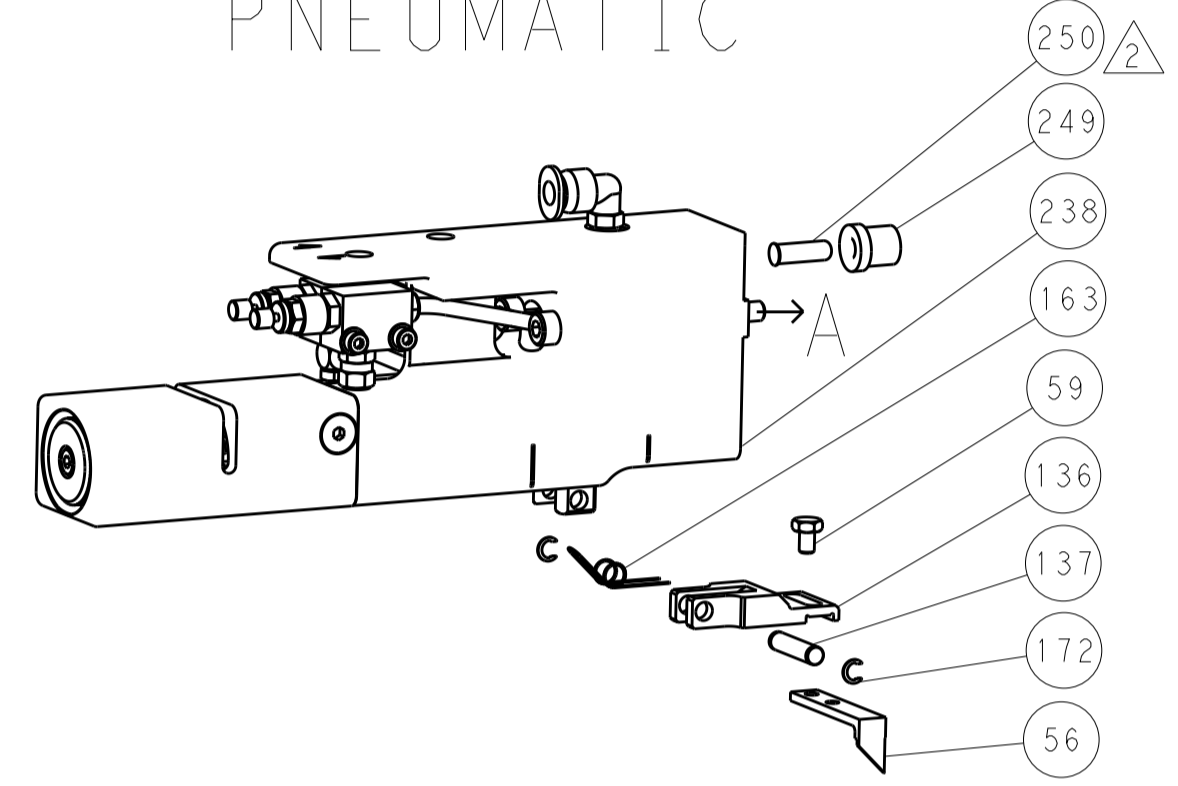
DIMENSIONS:		TOLERANCES UNLESS OTHERWISE SPECIFIED:		DRAWING NO		RESTRICTED TO	
mm	0 PLC ±	1 PLC ±	2 PLC ±	3 PLC ±	4 PLC ±	ANGLES	FINISH
MATERIAL				WEIGHT		SCALE	
Customer Accessible Production Drawing				SCALE 1:1		SHEET 3 OF 4 REV A1	

LOC		DIST		REVISIONS			
A	66	P	LTM	DESCRIPTION	DATE	OWN	APVD
		-	-	SEE SHEET 1	-	-	-

FEED TYPE MECHANICAL



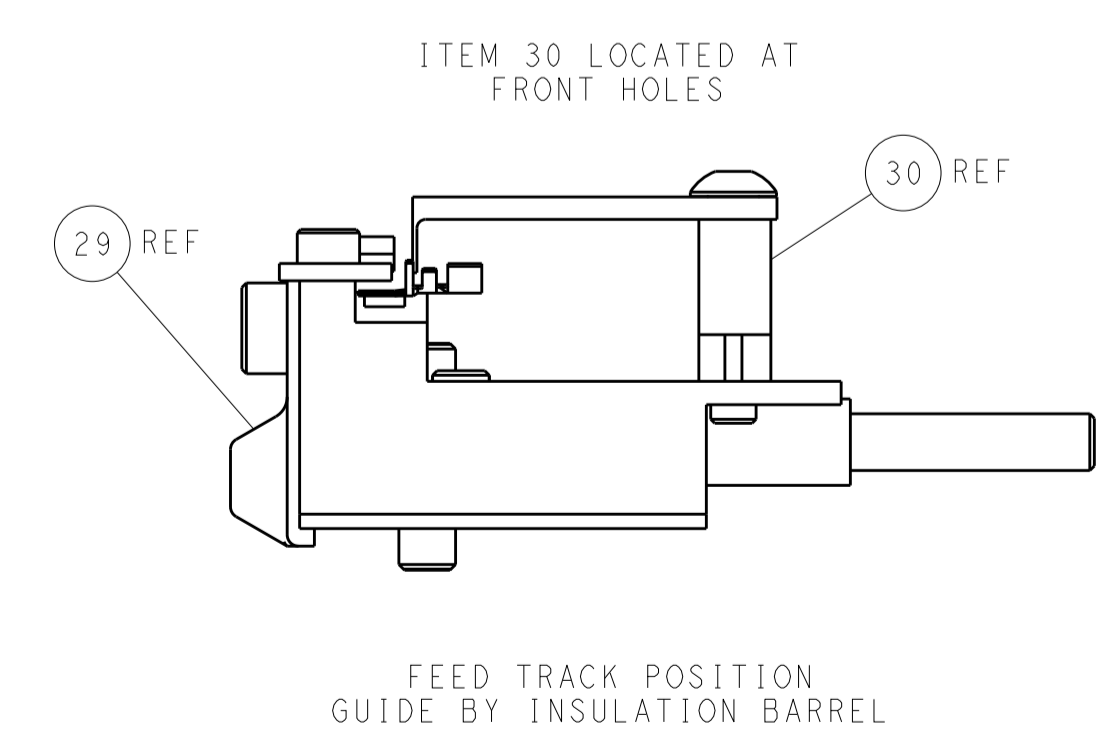
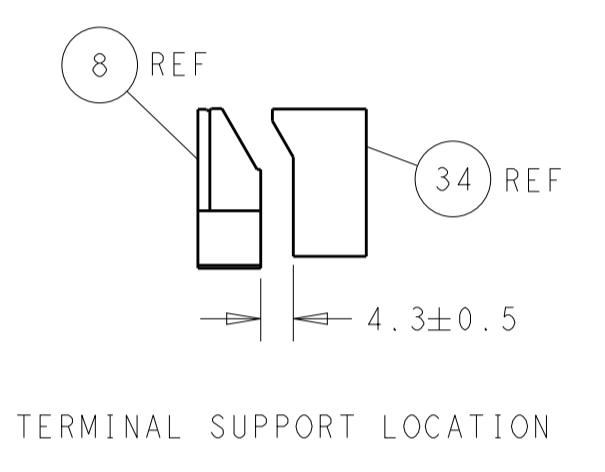
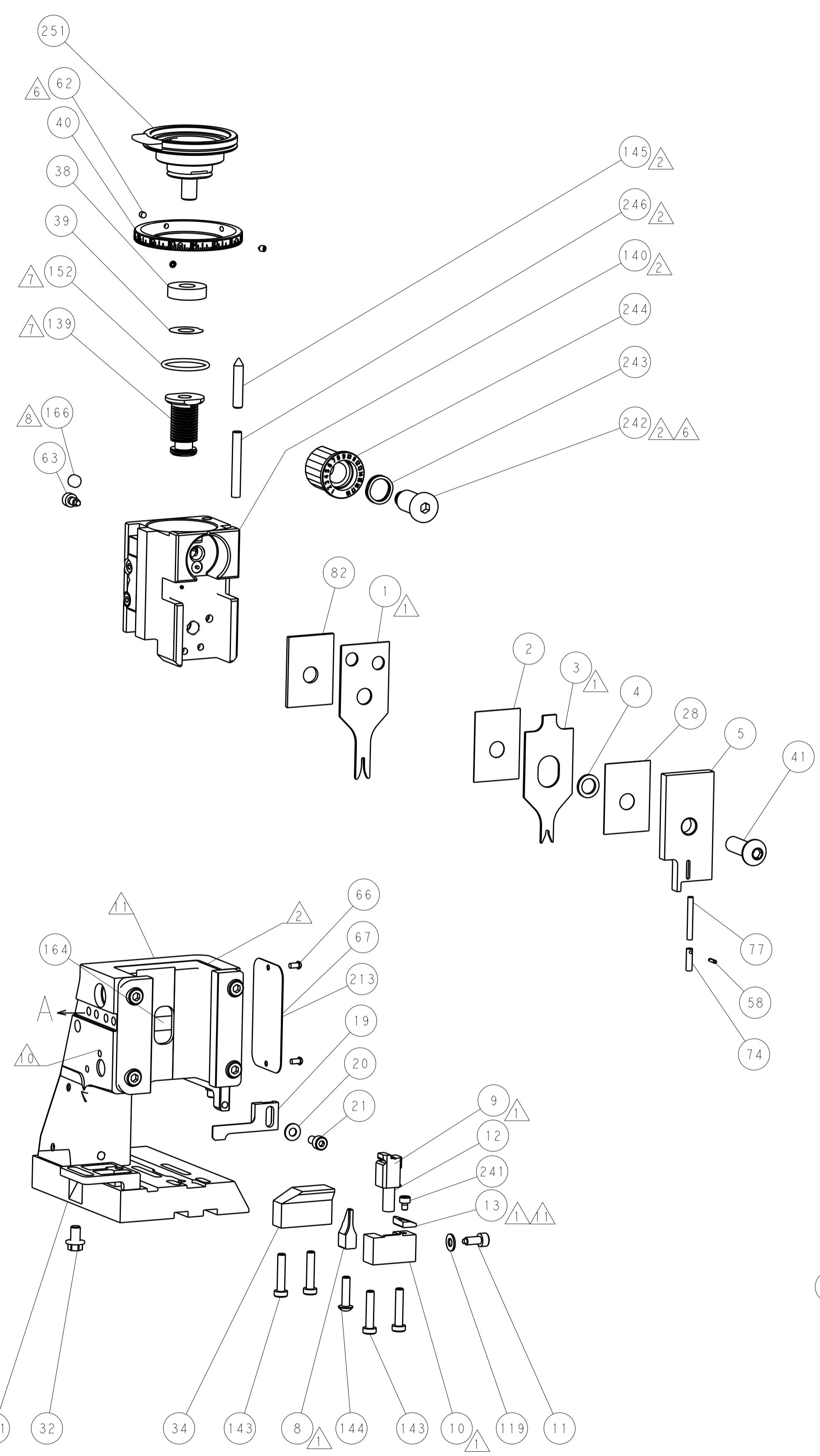
PNEUMATIC



SERVO LATCH PLATE



CAM POSITIONS



PACIFIC VERSION
 Shown on sheets 3 of 4 & 4 of 4
 (Atlantic version shown on sheets 1 of 4 & 2 of 4)

<small>THIS DRAWING IS UNPUBLISHED. RELEASED FOR PUBLICATION. IT IS THE PROPERTY OF TYCO ELECTRONICS CORPORATION. IT IS SUBJECT TO CHANGE AND WITHOUT WARRANTY OF MERCHANTABILITY. SHOULD BE CONTACTED FOR THE LATEST REVISION.</small>		DWN: S. ALVES 05APR2013 CHK: P. BARLETTA 05APR2013 APVD: C. LIMA 05APR2013	NAME: Ocean Side Feed Applicator SIZE: A1 CAGE CODE: 00779 DRAWING NO: C-2151931	RESTRICTED TO: - SCALE: 1:1 SHEET: 4 of 4 REV: A1
DIMENSIONS: mm TOLERANCES UNLESS OTHERWISE SPECIFIED: 0 PLC ± 1 PLC ± 2 PLC ± 3 PLC ± 4 PLC ± ANGLES ±	FINISH: - MATERIAL: -	PRODUCT SPEC: - APPLICATION SPEC: - WEIGHT: -	CUSTOMER ACCESSIBLE PRODUCTION DRAWING	DATE: - OWN: - APVD: -