

# CTDR2 Series

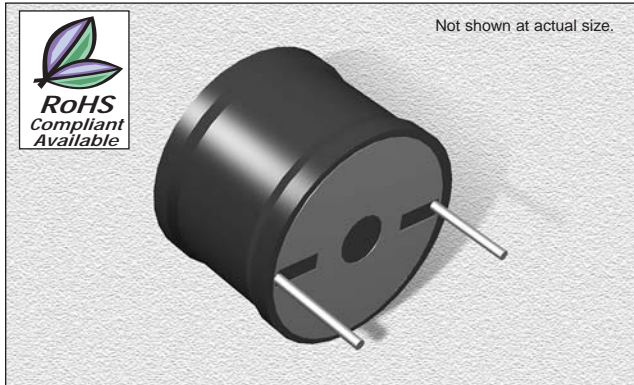
From 1.0  $\mu$ H to 2,200  $\mu$ H

## SPECIFICATIONS

Part numbers indicate available tolerance.

K =  $\pm 10\%$ , M =  $\pm 20\%$

CTDR2E Please specify "F" for RoHS compliant.



### CHARACTERISTICS

**Description:** Radial leaded drum core inductor

**Applications:** Used in switching regulators, power amplifiers, power supplies, SCR and Triac controls, speaker crossover networks, RFI suppression and filters

**Operating Temperature:** -25°C to +85°C

**Temperature Rise:** 50°C Max. at IDC

**IDC:** Current at which inductance drops 10% Max.

**Inductance Tolerance:**  $\pm 10\%$ ,  $\pm 20\%$

**Testing:** Inductance is tested on an HP4284A at 1.0 kHz

**Packaging:** Bulk pack

**Sleeving:** Coils finished with UL-VW-1 sleeving

**Mounting:** Center hole furnished for mechanical mounting

**Miscellaneous:** RoHS Compliant available. Non-standard tolerances and other values available.

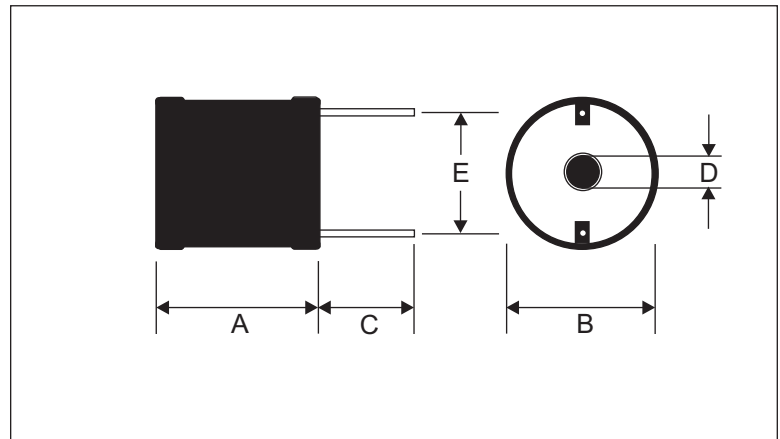
**Additional Information:** Additional electrical & physical information available upon request

**Samples available. See website for ordering information.**

Part Number	Inductance ( $\mu$ H)	L Test Freq. (kHz)	DCR Max. ( $\Omega$ )	IDC Max. (A)
CTDR2_-1R0M	1.0	1.0	.003	11.4
CTDR2_-1R2M	1.2	1.0	.003	11.4
CTDR2_-1R5M	1.5	1.0	.003	11.4
CTDR2_-1R8M	1.8	1.0	.003	11.4
CTDR2_-2R2M	2.2	1.0	.004	11.4
CTDR2_-3R3M	3.3	1.0	.005	11.4
CTDR2_-3R9M	3.9	1.0	.005	11.4
CTDR2_-4R7M	4.7	1.0	.005	11.4
CTDR2_-5R6M	5.6	1.0	.006	11.4
CTDR2_-6R8M	6.8	1.0	.007	11.4
CTDR2_-8R2M	8.2	1.0	.007	11.4
CTDR2_-100M	10	1.0	.009	11.4
CTDR2_-120K	12	1.0	.009	11.4
CTDR2_-150K	15	1.0	.013	9.0
CTDR2_-180K	18	1.0	.018	7.2
CTDR2_-220K	22	1.0	.019	7.2
CTDR2_-270K	27	1.0	.026	5.5
CTDR2_-330K	33	1.0	.029	5.5
CTDR2_-390K	39	1.0	.030	5.5
CTDR2_-470K	47	1.0	.035	5.5
CTDR2_-560K	56	1.0	.039	5.5
CTDR2_-680K	68	1.0	.053	4.8
CTDR2_-820K	82	1.0	.060	4.8
CTDR2_-101K	100	1.0	.080	4.0
CTDR2_-121K	120	1.0	.090	4.0
CTDR2_-151K	150	1.0	.098	4.0
CTDR2_-181K	180	1.0	.110	4.0
CTDR2_-221K	220	1.0	.150	2.8
CTDR2_-271K	270	1.0	.213	2.0
CTDR2_-331K	330	1.0	.305	1.6
CTDR2_-391K	390	1.0	.320	1.6
CTDR2_-471K	470	1.0	.355	1.6
CTDR2_-561K	560	1.0	.388	1.6
CTDR2_-681K	680	1.0	.430	1.6
CTDR2_-821K	820	1.0	.590	1.3
CTDR2_-102K	1000	1.0	.818	1.0
CTDR2_-122K	1200	1.0	1.14	0.8
CTDR2_-152K	1500	1.0	1.26	0.8
CTDR2_-182K	1800	1.0	1.39	0.8
CTDR2_-222K	2200	1.0	1.54	0.8

### PHYSICAL DIMENSIONS

Size	A Max.	B Max.	C	D Typ.	E Typ.
mm	22.0	22.0	15 $\pm$ 2	3.9	15
inches	0.87	0.87	0.59 $\pm$ 0.08	0.15	0.59



04.20.05