

Customer Information Sheet

DRAWING No.: M52-515XX45

SHEET 2 OF 2

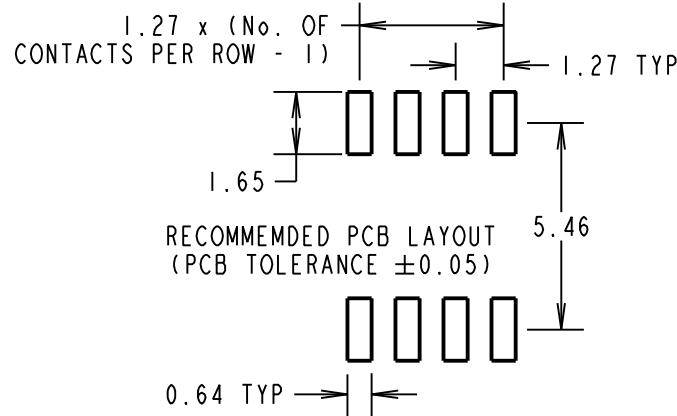
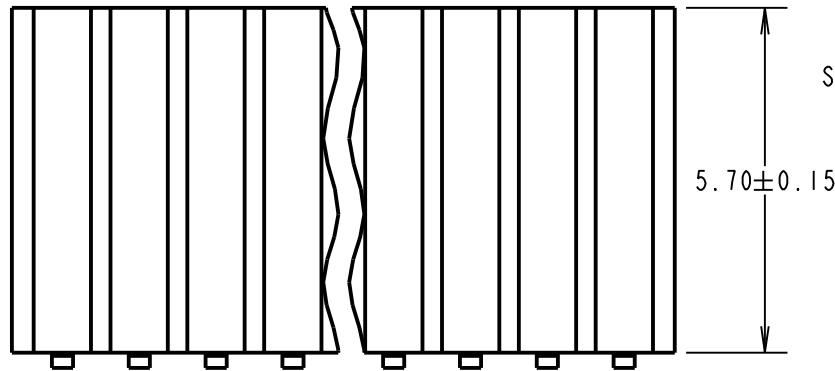
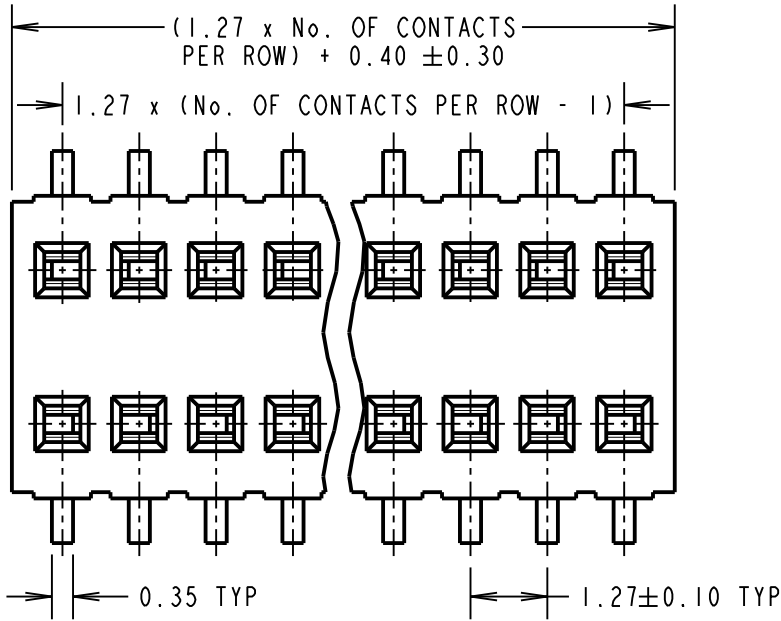
IF IN DOUBT - ASK

©

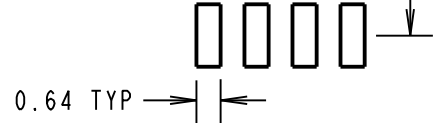
NOT TO SCALE

THIRD ANGLE PROJECTION

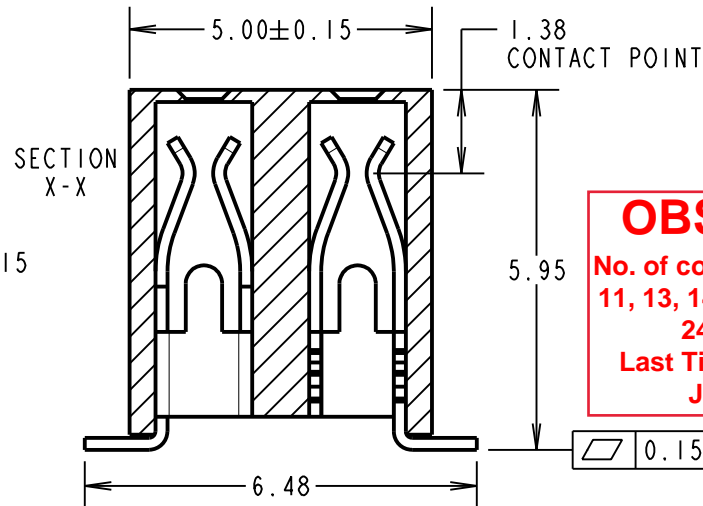
ALL DIMENSIONS IN mm



RECOMMENDED PCB LAYOUT
(PCB TOLERANCE ±0.05)



NOTES:
1. ALL TOLERANCES ARE ±0.25 UNLESS OTHERWISE STATED.



SPECIFICATIONS:
MATERIAL:
 MOULDING = NYLON 6T UL94V-0, BLACK
 CONTACT = PHOSPHOR BRONZE
FINISH:
 CONTACT = GOLD OVER NICKEL
ELECTRICAL:
 CURRENT RATING = 1A
 DIELECTRIC WITHSTAND VOLTAGE = 1000V ACrms FOR ONE MINUTE
 CONTACT RESISTANCE = 20mΩ MAX
 INSULATION RESISTANCE = 1000MΩ MIN
MECHANICAL:
 INSERTION FORCE = 1.5N MAX PER PIN
 WITHDRAWAL FORCE = 0.10N MIN PER PIN
 DURABILITY = 300 CYCLES
ENVIRONMENTAL:
 OPERATING TEMPERATURE = -40°C TO +105°C
PACKING:
 TUBE

ORDER CODE:
M52-515XX45
 No. OF CONTACTS PER ROW:
03 to 10, 12, 15, 20, 25
 FINISH:
 GOLD

OBSOLETE
 No. of contacts per row =
11, 13, 14, 16 to 19, 21 to 24, 26 to 50
 Last Time Buy = 15th June 2018

SB	9	17.12.13	11905
NAME	ISS.	DATE	C/NOTE
APPROVED:		S. BENNETT	
CHECKED:		S. FLOWER	
DRAWN:		J. ENRIGHT	
CUSTOMER REF.:			
ASSEMBLY DRG:			

HARWIN

www.harwin.com
 technical@harwin.com

THIS DRAWING AND ANY INFORMATION OR DESCRIPTIVE MATTER SET OUT HEREON ARE CONFIDENTIAL AND COPYRIGHT PROPERTY OF THE HARWIN GROUP AND MUST NOT BE DISCLOSED, LOANED, COPIED OR USED FOR MANUFACTURING, TENDERING OR FOR ANY OTHER PURPOSE WITHOUT THEIR WRITTEN PERMISSION.

TOLERANCES
~~X = ±1mm~~
~~X.X = ±0.25mm~~
~~X.XX = ±0.10mm~~
~~X.XXX = ±0.01mm~~
 ANGLES = ±5°
 UNLESS STATED

MATERIAL:
 SEE ABOVE
 FINISH: SEE ABOVE
 S/AREA: mm²

TITLE:
 1.27mm PITCH DIL
 VERTICAL SMT SOCKET ASSY
 DRAWING NUMBER:
M52-515XX45
 SHT 2 OF 2