

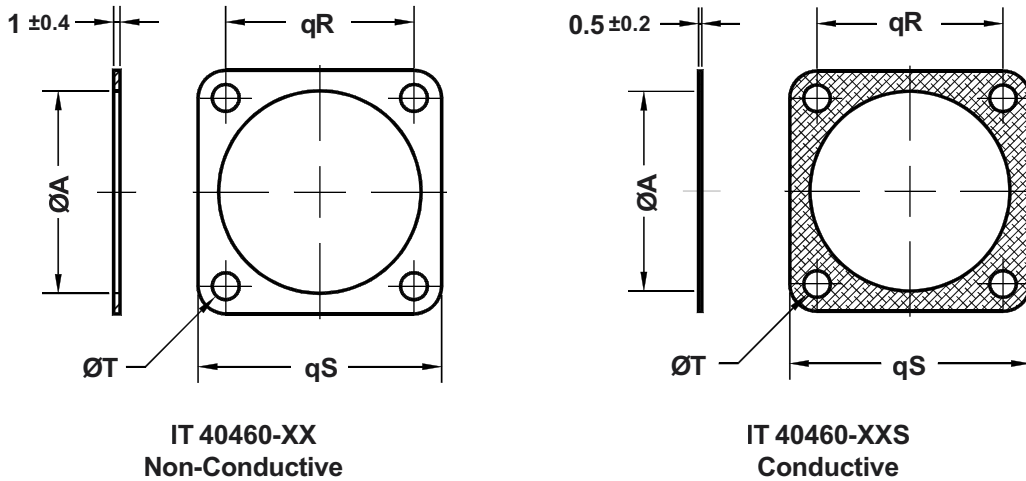
IT 40460-XX and IT 40460-XX (S) Connector Mounting Gasket for Rear-Mounted Square Flange Receptacle

IT 40460-32S

MIL-C-5015
Compatible
Accessory

Basic Part Number
and Connector
Size Designator
(Table I)

S - Conductive
Omit for Non-Conductive



**TABLE I: CONDUCTIVE & NON-CONDUCTIVE FIXED CONNECTOR GASKETS
PART NUMBERS, SHELL SIZE & DIMENSIONS**

Part Number	Shell Size	$\varnothing A$ +0.3	R ± 0.2	S ± 0.5	$\varnothing T$ +0.5
IT 40460 - 10	10SL	18.2	18.2	25.4	4.2
IT 40460 - 14	14S	24.6	23.0	30.0	4.2
IT 40460 - 16	16S - 16	27.4	24.6	32.5	4.2
IT 40460 - 18	18	30.8	27.0	35.0	4.2
IT 40460 - 20	20	34.2	29.4	38.0	4.2
IT 40460 - 22	22	37.4	31.8	41.0	4.2
IT 40460 - 24	24	40.9	34.9	44.5	4.2
IT 40460 - 28	28	46.7	39.7	50.8	5.1
IT 40460 - 32	32	53.4	44.5	57.0	5.1
IT 40460 - 36	36	59.6	49.2	63.5	5.1
IT 40460 - 40	40	65.5	55.5	69.9	5.1

