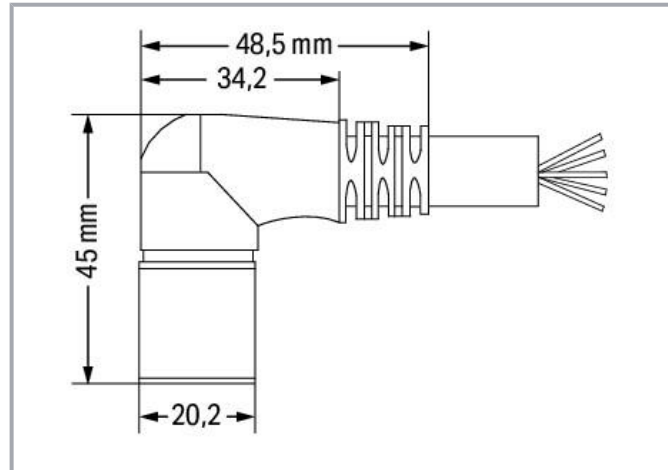
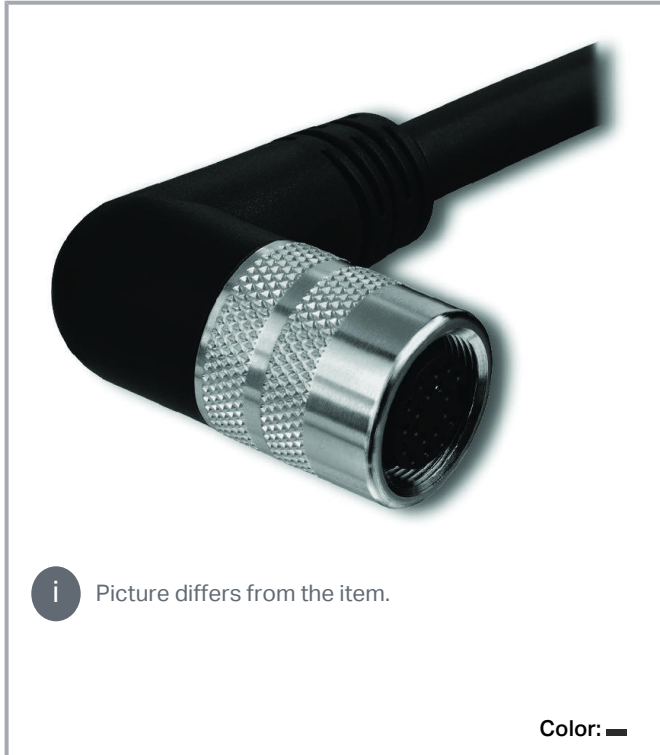


Data sheet | Item number: 756-3206/140-050

Connecting cable; 14-pole; Length: 5 m

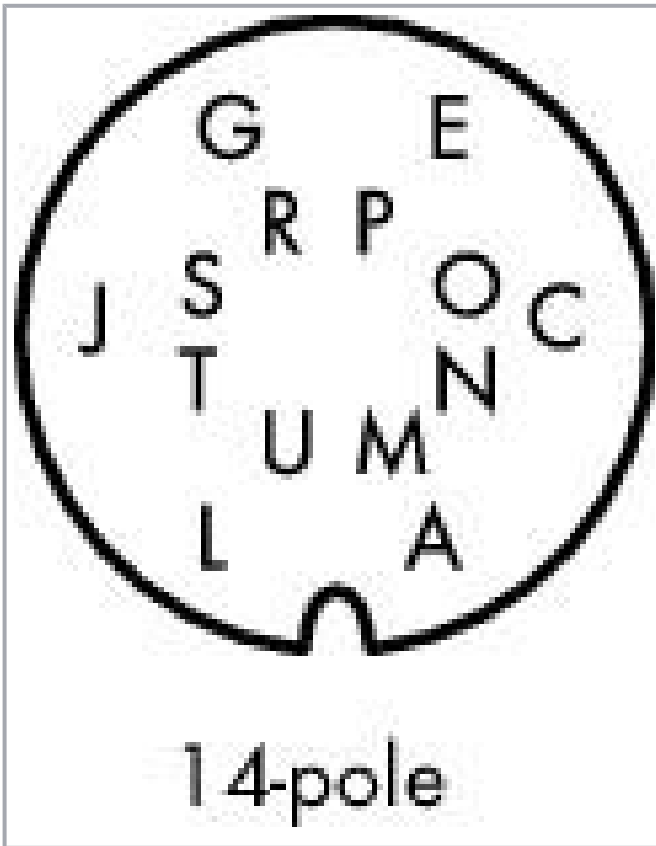
[www.wago.com/756-3206/140-050](http://www.wago.com/756-3206/140-050)



Subject to changes. Please also observe the further product documentation!

WAGO Kontakttechnik GmbH & Co. KG  
Hansastr. 27  
32423 Minden  
Phone: +49571 887-0 | Fax: +49571 887-169  
Email: [info.de@wago.com](mailto:info.de@wago.com) | Web: [www.wago.com](http://www.wago.com)

Do you have any questions about our products?  
We are always happy to take your call at +49 (571) 887-44222.



Pin A, L: 0.75 mm<sup>2</sup>  
 Pin C - J, N - T: 0.34 mm<sup>2</sup>

A	brown	N	pink-brown
C	white-pink	O	violet
E	black	P	white
G	pink	R	red
J	green	S	gray
L	blue	T	yellow
M	commoned with A	U	commoned with L

## Data

### Technical data

Connection type	M16 socket - free end
Pole No.	14
Cable connection direction to mating direction	90°
Cable length	5 m
Operating voltage	150 V
Operating current	4 A
Operating current	6 mm <sup>2</sup> 0,75 A
Rated surge voltage	1.2 kV

### Mechanical data

Bending cycles	2 Mio.
Drag chain suitability	yes
Sheathed cable diameter	8.9 ... 9.3 mm

Subject to changes. Please also observe the further product documentation!

WAGO Kontakttechnik GmbH & Co. KG  
 Hansastr. 27  
 32423 Minden  
 Phone: +49571 887-0 | Fax: +49571 887-169  
 Email: [info.de@wago.com](mailto:info.de@wago.com) | Web: [www.wago.com](http://www.wago.com)

Do you have any questions about our products?  
 We are always happy to take your call at +49 (571) 887-44222.



Weight	537.2 g
Color	black

### Environmental requirements

Surrounding air (operating) temperature (dynamic)	-30 ... +90 °C
Surrounding air (operating) temperature (static)	-40 ... +90 °C
Protection type	IP67

### Commercial data

PU (SPU)	1 Stück
Packaging type	box
Country of origin	DE
GTIN	4044918978538
Customs tariff number	85444290900

### Downloads

#### Documentation

#### System Description

Sensor/Actuator Boxes – General Product Information	pdf 537.3 kB	Download
---	-----------------	----------

### CAD/CAE-Data

#### CAE data

WSCAD Universe 756-3206/140-050	URL	Download
WSCAD Universe 756-3206/140-050	URL	Download

### Environmental Product Compliance

#### Compliance Search

Environmental Product Compliance 756-3206/140-050 Connecting cable; 14-pole; Length: 5 m	URL	Download
---	-----	----------

Subject to changes. Please also observe the further product documentation!



## Installation Notes

Subject to changes. Please also observe the further product documentation!

---

WAGO Kontakttechnik GmbH & Co. KG  
Hansastr. 27  
32423 Minden  
Phone: +49571 887-0 | Fax: +49571 887-169  
Email: [info.de@wago.com](mailto:info.de@wago.com) | Web: [www.wago.com](http://www.wago.com)

Do you have any questions about our products?  
We are always happy to take your call at +49 (571) 887-44222.