

PLEASE CHECK WWW.MOLEX.COM FOR LATEST PART INFORMATION

Part Number: [0505447825](#)
Status: **Active**
Description: Ring Tongue Terminal for 250-300MCM AWG, Closed Uninsulated Brazed Barrel, Stud Size 1/2" (M12), Oxygen-Free Copper, Length 66.00mm (2.598"), Clearance 21.00mm (.827")

Documents:

[Drawing \(PDF\)](#) [RoHS Certificate of Compliance \(PDF\)](#)
[Product Specification PS-50541-002 \(PDF\)](#)

General

Product Family	Ring and Spade Terminals
Series	50544
Crimp Quality Equipment	Yes
Mil-Spec	N/A
Product Name	R (Ring)
Type	Ring

Physical

Barrel Type	Closed - Brazed
Insulation	None
Material - Plating Mating	Tin
Packaging Type	Bag
Stud Size	1/2" (M12)
Wire Size AWG	250MCM, 300MCM
Wire Size mm ²	117.2 - 152.05

Material Info

Reference - Drawing Numbers

Product Specification	PS-50541-002
Sales Drawing	SD-50544-001



Series

image - Reference only

EU RoHS

ELV and RoHS Compliant
REACH SVHC
 Not Reviewed
Halogen-Free Status
 Not Reviewed

China RoHS



Need more information on product environmental compliance?

Email productcompliance@molex.com
 For a multiple part number RoHS Certificate of Compliance, [click here](#)

Please visit the [Contact Us](#) section for any non-product compliance questions.

Search Parts in this Series

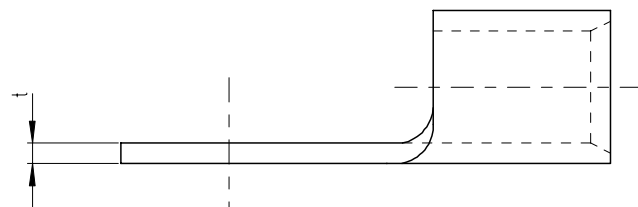
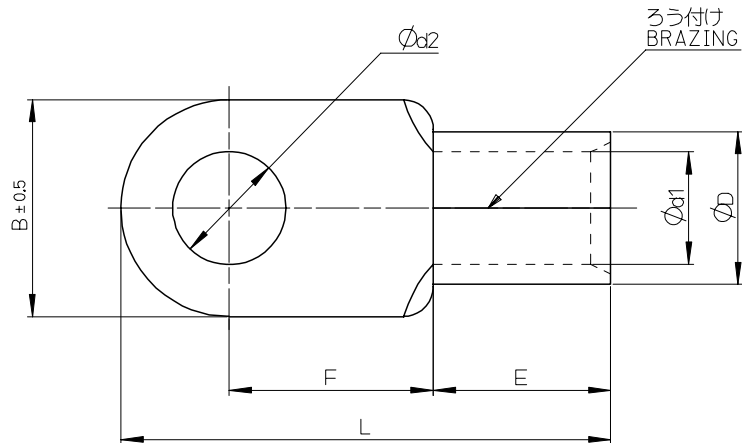
[50544Series](#)

Application Tooling | [FAQ](#)

Tooling specifications and manuals are found by selecting the products below. Crimp Height Specifications are then contained in the Application Tooling Specification document.

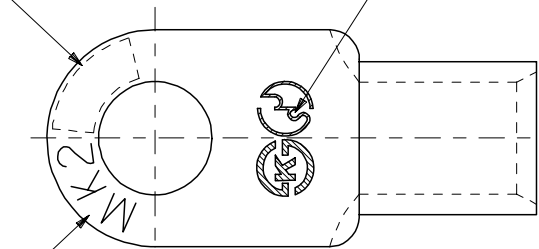
Japan

Description	Product #
Tool Kit For 57343-9012	0573439001
Battery Type Hand Crimper For JIS Terminal	0573439004



呼び
NOMINAL SIZE

JISマーク
JIS MARK



トレードマーク
TRADE MARK

注記 NOTES

- 材質 MATERIAL
端子：無酸素銅、錫めっき
TERMINAL: OXYGEN-FREE COPPER, TIN PLATING
ろう付け部：銀ろう
PART OF BRAZING : SILVER SOLDER
- 適用電線 APPLICABLE WIRE RANGE

単線 SOLID WIRE	撚線 STRANDED WIRE
11.68-13.8 mm	117.2-152.05 mm ²

△ JIS認定品にのみ刻印。
DIE STAMPED MARK IS ALLOWED ONLY
FOR JIS FILED PRODUCTS.

	3.25 ^{+0.22} _{-0.1}	28 ^{+0.5} _{-0.1}	81 ±1	36 ±1.1	27 ±0.8	19.5 ^{+0.6} _{-0.5}	26.5 ^{+0.8} _{-0.6}	36	150	27	50544-7926	
		25 ^{+0.5} _{-0.1}								24	50544-7826	
		23 ^{+0.5} _{-0.1}								22	50544-7726	
JIS	3.2 MN	21 ^{+0.5} ₀	84 MAX	26 MN	26 MN	19.5 ±0.5	26.5 ^{+0.8} _{-0.5}			20	50544-7626	
		19 ^{+0.5} ₀		23.5 MN						18	50544-7526	
		17 ^{+0.5} _{-0.1}								L16	50544-7426	
	3.25 ^{+0.22} _{-0.1}	13 ^{+0.5} _{-0.1}	81 ±1	36 ±1.1	27 ±0.8	19.5 ^{+0.6} _{-0.5}	26.5 ^{+0.8} _{-0.6}			L12	50544-7326	
		10.5 ^{+0.5} _{-0.1}								L10	50544-7226	
		8.4 ^{+0.5} _{-0.1}								L8	50544-7126	
JIS	3.2 MN	17 ^{+0.5} ₀	84 MAX	21.5 MN	26 MN	19.5 ±0.5	26.5 ^{+0.8} _{-0.5}			16	50544-7026	
		15 ^{+0.5} ₀		20 MN						14	50544-7925	
		13 ^{+0.5} ₀	68 MAX	18.5 MN						12	50544-7825	
		10.5 ^{+0.5} ₀		15.5 MN						10	50544-7725	
		17 ^{+0.5} _{-0.1}								S16	50544-7625	
		15 ^{+0.5} _{-0.1}								S14	50544-7525	
	3.25 ^{+0.22} _{-0.1}	13 ^{+0.5} _{-0.1}	66 ±1	23 ±1.1	27 ±0.8	19.5 ^{+0.6} _{-0.5}	26.5 ^{+0.8} _{-0.6}			S12	50544-7425	
		11.5 ^{+0.5} _{-0.1}								11	50544-7325	
		10.5 ^{+0.5} _{-0.1}								S10	50544-7225	
		8.4 ^{+0.5} _{-0.1}								8	50544-7125	
		6.4 ^{+0.5} _{-0.1}								6	50544-7025	
△	t	Ød2	L	F	E	Ød1	ØD			B	呼び NOMINAL SIZE	ENG. NO.

RELEASED EC NO: J2007-0312 DR: N. H. YAJIMA 2007/05/17 CHK: K. KASAHARA 2007/05/18 APPR: N. UKITA 2007/05/18	GENERAL TOLERANCES (UNLESS SPECIFIED)		DIMENSION STYLE MM ONLY		SCALE ---	DESIGN UNITS METRIC	THIRD ANGLE PROJECTION	
	10 UNDER	± ---	DRAWN BY H. YAJIMA	DATE '06/08/22	TITLE RING TERMINAL			
	10 OVER 30 UNDER	± ---	CHECKED BY K. KASAHARA	DATE '06/08/22	MATERIAL NO. SEE CHART			
	30 OVER	± ---	APPROVED BY N. UKITA	DATE '06/08/22	DOCUMENT NO. SD-50544-001			
	ANGULAR	± --- °	DRAFT WHERE APPLICABLE MUST REMAIN WITHIN DIMENSIONS		SIZE A3		SHEET NO. 1 OF 1	