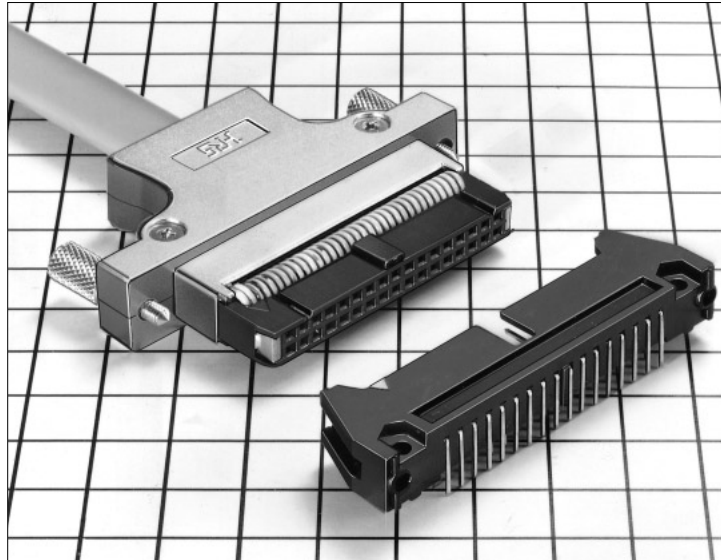


# Cover (HIF3B Series) against EMI (Electromagnetic Interference)



## ■Features

### 1. Electromagnetic Shielding Effect

This product enhances shielding effects with a metallic cover over the ribbon cable connector (HIF3B series).

### 2. Screw Locking Mechanism

The locking mechanism is designed in a stubborn and steady structure for the screw type.

### 3. Assembling

The ribbon cable connector (HIF3B series) can be easily assembled.

## ■Applications

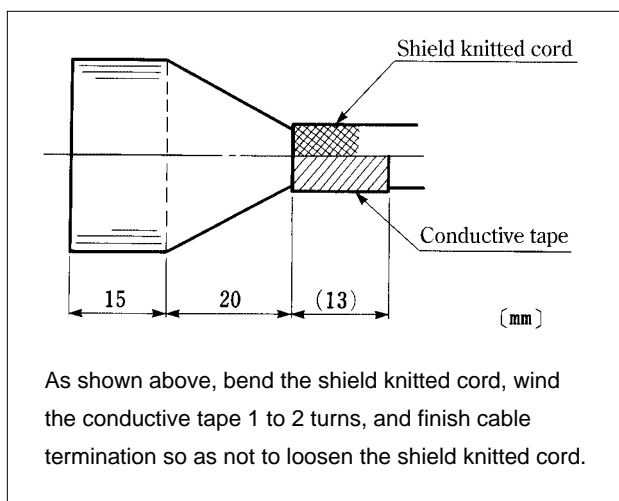
Peripheral and termination equipment, control machines, measuring instruments etc.

## ■Ordering Information

**HIF 3 - \* CVFA**

❶ Series Name	: HIF 3
❷ Number of contacts	: 10, 16, 20, 26, 30, 34, 40, 50, 64
❸ CVFA	: Cover case for EMI

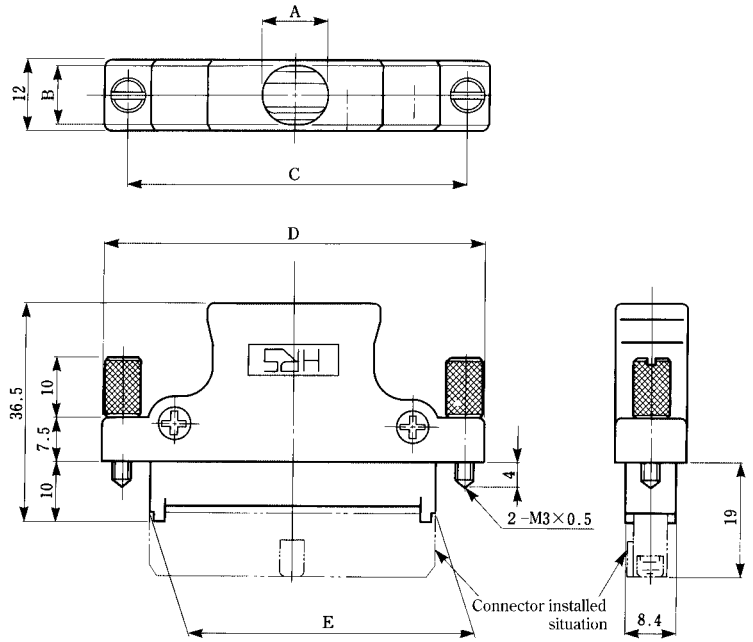
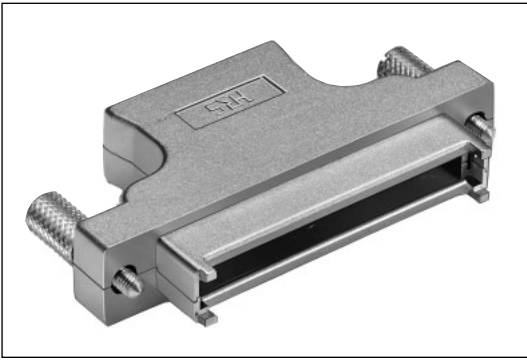
## ■I/O Cable Termination



## ■Material

Material	Finish
Zinc alloy	Nickel plated

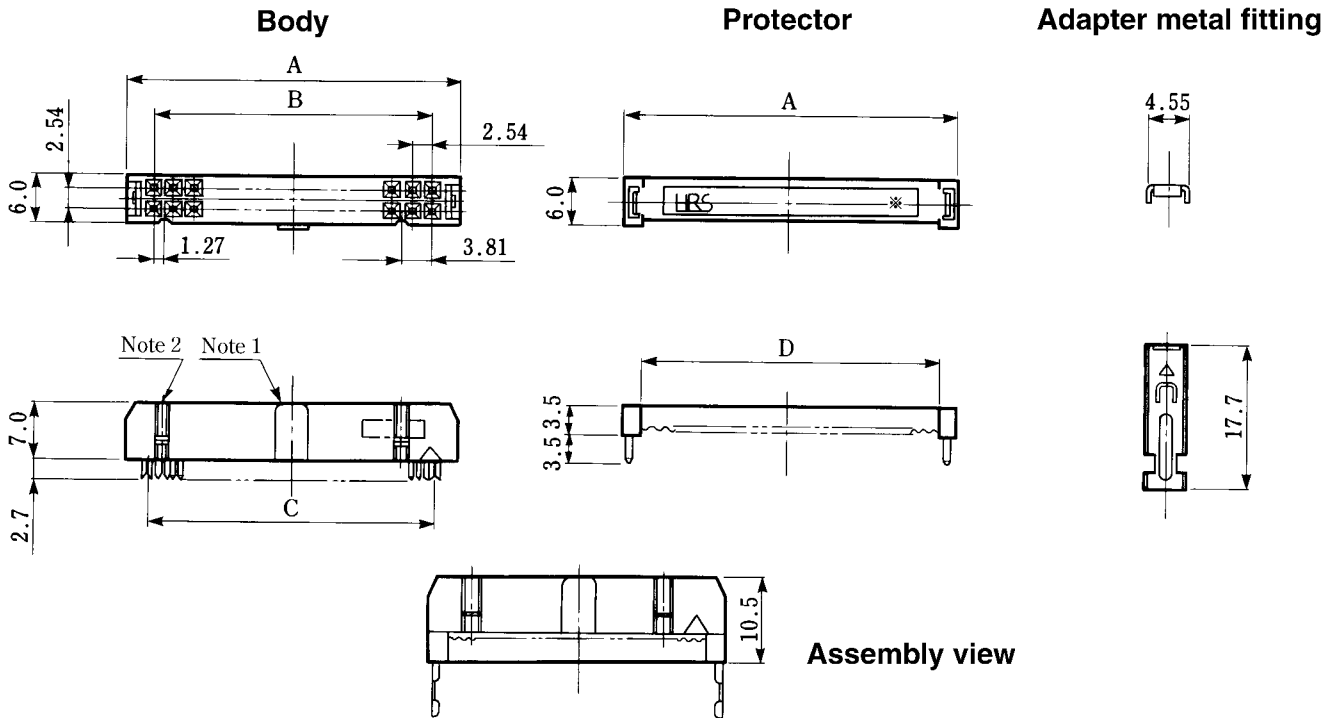
## ■Cover



Unit : mm

Part Number	CL No.	Number of Contacts	A	B	C	D	E
HIF3-10CVFA	612-0061-4	10	8.5	8.0	31.7	38.12	17.52
HIF3-16CVFA	612-0062-7	16	7.8	7.8	34.9	41.32	25.14
HIF3-20CVFA	612-0063-0	20	9.0	8.5	39.98	46.4	30.22
HIF3-26CVFA	612-0064-2	26	10.0	9.5	47.6	54.02	37.84
HIF3-30CVFA	612-0065-5	30	9.2	9.2	52.68	59.1	42.92
HIF3-34CVFA	612-0066-8	34	11.0	10.0	57.76	64.18	48.0
HIF3-40CVFA	612-0067-0	40	13.0	10.0	65.38	71.8	55.62
HIF3-50CVFA	612-0068-3	50	14.5	10.0	78.08	84.5	68.32
HIF3-64CVFA	612-0070-5	64	15.4	10.0	95.86	102.7	86.1

## ■Applicable Socket Connector



Notes1 and 2: The number of polarizing guide and keys change according to products.

Unit : mm

Part Number	CL No.	Number of Contacts	A	B	C	D	Polarizing guide	Polarizing keyway
HIF3BA-10D-2.54R-CL(21)	610-0190-4-21	10	17.27	10.16	11.43	12.8	One at center	One at center
HIF3BA-16D-2.54R-CL(21)	610-0192-0-21	16	24.89	17.78	19.05	20.42		One on right and left sides, resp.
HIF3BA-20D-2.54R-CL(21)	610-0193-2-21	20	29.97	22.86	24.13	25.5		
HIF3BA-26D-2.54R-CL(21)	610-0194-5-21	26	37.59	30.48	31.75	33.12		
HIF3BA-30D-2.54R-CL(21)	610-0195-8-21	30	42.67	35.56	36.83	38.2		
HIF3BA-34D-2.54R-CL(21)	610-0196-0-21	34	47.75	40.64	41.91	43.28		
HIF3BA-40D-2.54R-CL(21)	610-0197-3-21	40	55.37	48.26	49.53	50.9	One on right and left sides, resp.	
HIF3BA-50D-2.54R-CL(21)	610-0198-6-21	50	68.07	60.96	62.23	63.6	One at center	
HIF3BB-50D-2.54R-CL(21)	610-0201-9-21	50	68.07	60.96	62.23	63.6	One on right and left sides, resp.	
HIF3BA-64D-2.54R-CL(21)	610-0200-6-21	64	85.85	78.74	80.01	81.38	One at center	
HIF3BB-64D-2.54R-CL(21)	610-0203-4-21	64	85.85	78.74	80.01	81.38	One at center	

## ■Pin Header

The pin header applicable to the socket connector HIF series can wholly use the HIF3 series. It is recommended to use following products, considering positioning (protection of mating area) when the connector is engaged.

In addition, when the connector is installed, the locking mechanism is removed. If needed, order the product (11) according to the specification (unlock), as shown below.

HIF3B -\*PA-2.54DS,DSA(11)

HIF3BA-\*PA-2.54DS,DSA(11)

HIF3BB-\*PA-2.54DS,DSA(11)

Note:

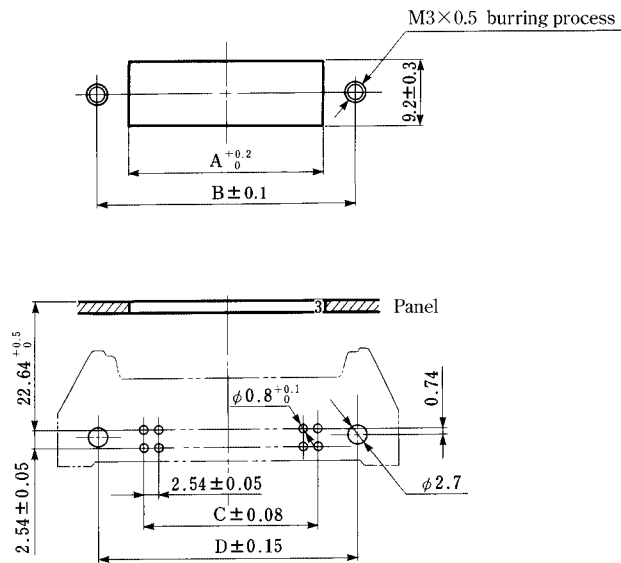
HIF3B-\*PA-2.54DS, DSA (11) is limited

to number of contacts as follows:

DS -20, 30, 34, 40 contacts

DSA-26, 50 contacts

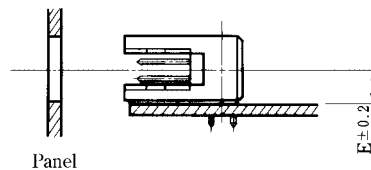
## ■ Recommended Panel cutouts



HIF3B Series (right angle)

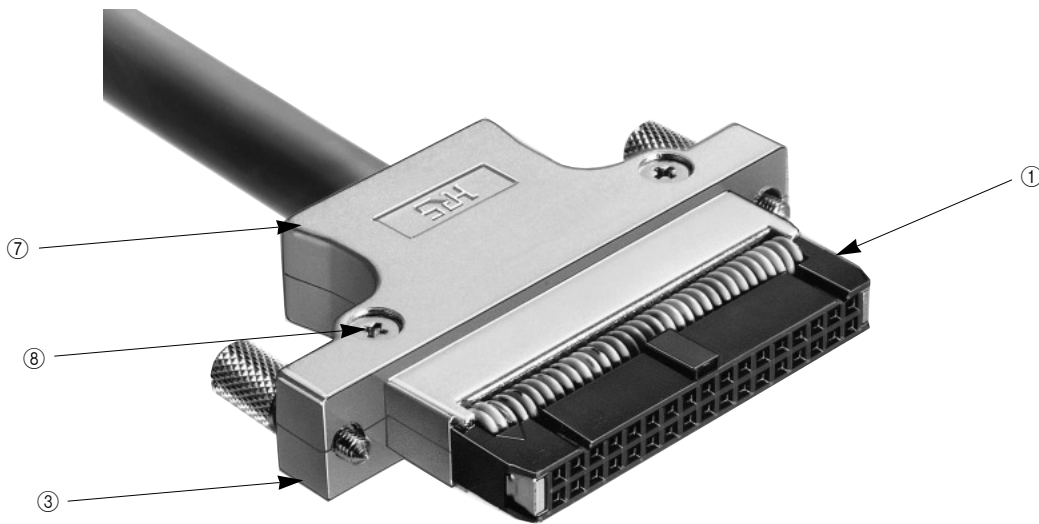
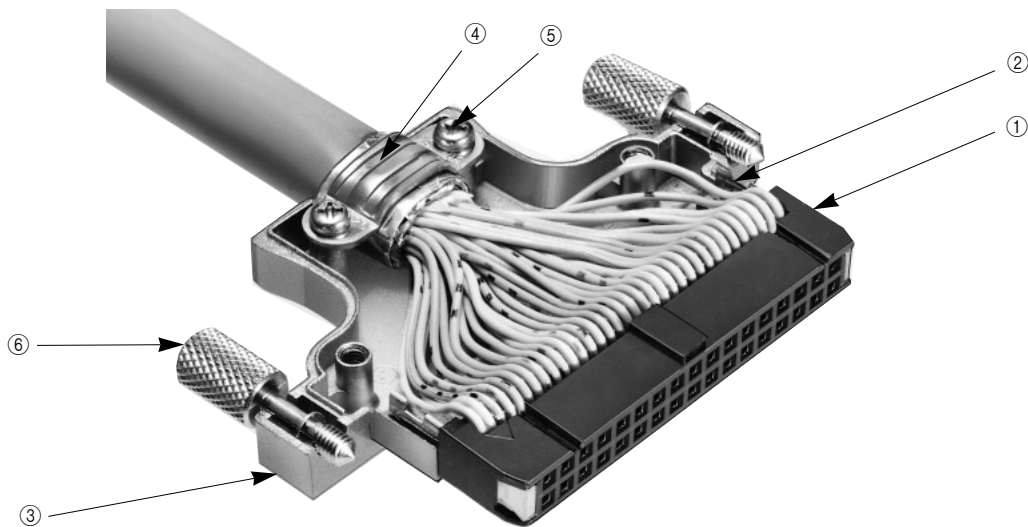
Number of Contacts	A	B	C	D
10	18.52	31.7	10.16	21.8
16	26.14	34.9	17.78	29.5
20	31.22	39.98	22.86	34.5
26	38.84	47.6	30.48	42.2
30	43.92	52.68	35.56	47.2
34	49.0	57.76	40.64	52.3
40	56.62	65.38	48.26	59.9
50	69.32	78.08	60.96	72.6
64	87.1	95.86	78.74	90.4

## ● Right Angle Type



HIF3B-*PA-DS(11)	3.45
HIF <sub>3BA</sub> <sup>3</sup> -*PA-DS(11)	4.75

## ■ Cover Assembling Procedures



## ◆ Assembling Procedures

1. Insert the connected connector (cable shield cable after termination process) ① in the adapter metal ②, and connect the assembly to the cover A ③.
2. Insert the cable unit ① in the clamp slot of cover A ③, and mount the clamp metal ④. Then, tighten the unit by screws.
3. Next, place the lock screw ⑤ in the right slot, and mount the cover B ⑦ so as not to bite the cable, and tighten the assembly by screws. At this time, check that no clearance is found between cover A and B.