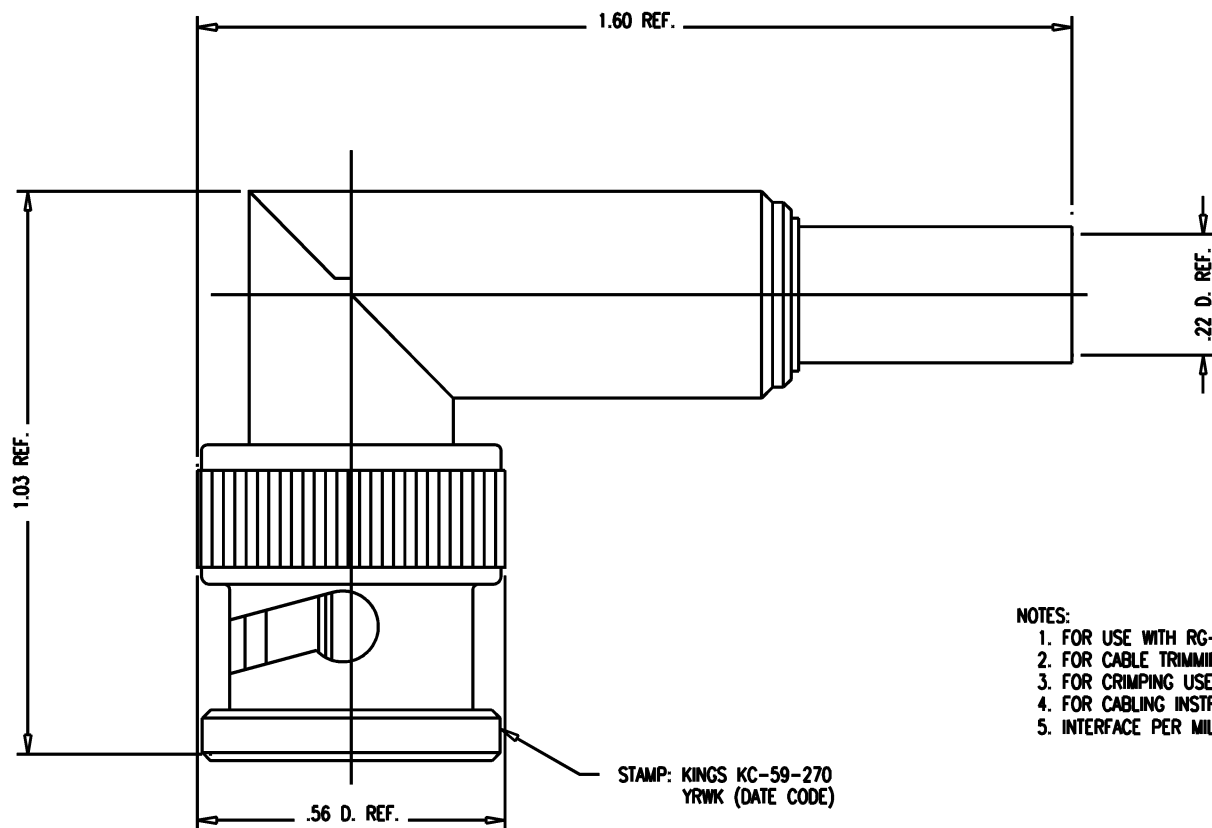


| | | |
|----------|--------|-----------|
| DASH NO. | M CODE | MADE FROM |
|----------|--------|-----------|

SD



NOTES:

1. FOR USE WITH RG-55, 142, & 223/U CABLE GROUPS.
2. FOR CABLE TRIMMING USE KTJ-1 & KTD-25.
3. FOR CRIMPING USE DIE SIZE KTH-2001.
4. FOR CABLING INSTRUCTIONS SEE CP-401.
5. INTERFACE PER MIL-STD-348, FIG. 301-1.

STAMP: KINGS KC-59-270
YRWK (DATE CODE)

KC-59-270

REVISIONS

| ISSUE | CHANGES |
|-------|---------------------------------------|
| 7 | CN 38474 E REDRAWN TML 01/21/02 |
| 8 | CN 38585 C TML 06/04/02 |

KC59270S

SCALE 4:1

APPROX SURFACE AREA

USED ON

REF:

PLUG, ANG, BNC

| | | | |
|-------|----|------|----------|
| DRAWN | CC | DATE | 08/13/71 |
|-------|----|------|----------|

| | | | |
|--------|--|------|--|
| DESIGN | | DATE | |
|--------|--|------|--|

| | | | |
|-------|----|------|----------|
| APPR. | JC | DATE | 08/16/71 |
|-------|----|------|----------|

KINGS
ELECTRONICS CO., INC.
ROCK HILL, SOUTH CAROLINA 29730

SD

KC-59-270