



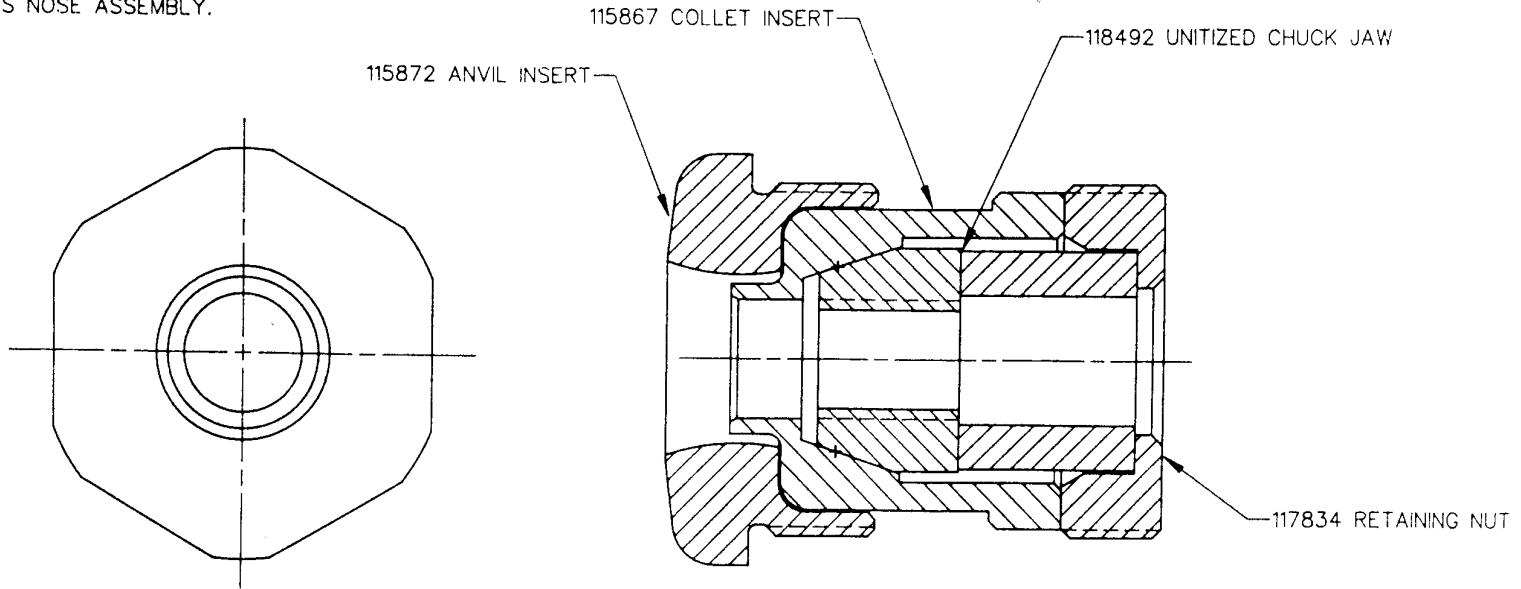
**Huck
Fasteners**

From Cordant Technologies

NOSE ASSEMBLY DATA SHEET

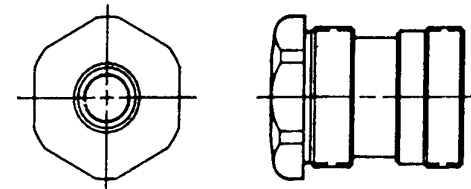
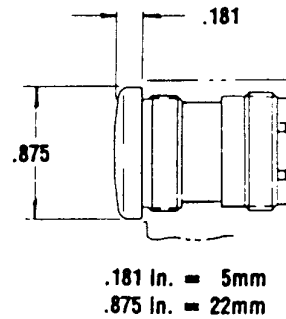
NOTES:

- 1 DEFLECTOR KIT 118744 AVAILABLE FOR THIS NOSE ASSEMBLY.



©Huck International, Inc. 1995
 ©Registered Trademark of Huck International, Inc., Irvine, CA
 ™Trademark of Huck International, Inc., Irvine, CA

99-1510	Huck International, Inc. Installation System Division 1 Corporate Drive - Kingston, NY 12401	
	TYPE: Non Self- Releasing FOR: HUCKBOLT (GP) -08 TOOL: 209 and A209	
	OTHER	ISSUED: 9-89 REVISED: C



ACTUAL SIZE

Nose Assembly Maintenance

1. Prepare tool per manual.

WARNING

Before maintenance or adjustments:
POWERIG Hydraulic Unit must be disconnected from electrical or air supply. If not disconnected, severe personal injury and/or damage may result.

Disconnect POWERIG Hydraulic Unit's power source. Connect tool's hoses and controls to unit. Reconnect power source. Depress trigger for 30 seconds - piston stops completely forward. Disconnect controls and **RETURN** hose - - **tool piston must remain completely forward.**

CAUTION: In severe conditions, VIBRATITE can be used on all threads to prevent loosening and damage. Carefully follow container's directions.

2. Disassembly/assembly as applicable :

Remove 209 shield and deflector - use 5/64 hex key (#632 bttn. hd.) for shield; 3/32 hex key (#832 bttn. hd.) for deflector. Use 5/16 hex key or 5/8 socket wrench to remove rear retaining nut
disassemble components of nose assembly for inspection and maintenance.

Anvil:

Pressed in anvil is pressed out with drift and arbor press - - press new anvil in squarely to prevent cracking. Screw anvil into tool - - tighten wrench tight.

Collet:

Slide assembled collet through 209 and into anvil. Use either 5/16 hex key or 5/8 socket wrench to install retaining nut - tighten wrench tight.

Tool:

Reinstall 209 deflector and shield - use 5/64 and 3/32 hex keys.

WARNING

Operating tool and/or installing fasteners without tool's shield and guard in place may cause serious personal injury.

3. Checking nose assembly:

See **WARNING** - - connect controls and **RETURN** hose. Reconnect hydraulic unit to power source. Install fasteners in test plate of correct thickness with proper sized holes - - inspect installed fasteners

Notes:

1. **To increase jaw life** : Disassemble nose assembly periodically; clean and inspect components - use a pick to clean jaw grooves. **Caution:** Wash parts in **mineral spirits or isopropyl alcohol** only. Dry Oring and urethane jaw assemblies **immediately** after cleaning as prolonged contact with solvent causes swelling - dry other parts.

2. **Spare parts** - - as applicable : Driving anvils; anvil inserts; jaws; springs; retaining rings.

3. **Service items** - - as applicable : Adjustable wrench, 503044; NYLON brush, 105805 (05 & 06); NYLON brush, 105806 (08); 5/64 hex key, 502444; 3/32 hex key, 502293; 5/16 hex key, 502446; VIBRATITE, 505125.