

LED SPECIFIC CAVITY			
STANDA	ID LED	WAVEL. LENGTH	Forward (Vmax)
GREEN		500nm	2.4V
YELLOW		580nm	2.0V
			2.1V

4# TH A FO IN AND CURRENT OF 20mA

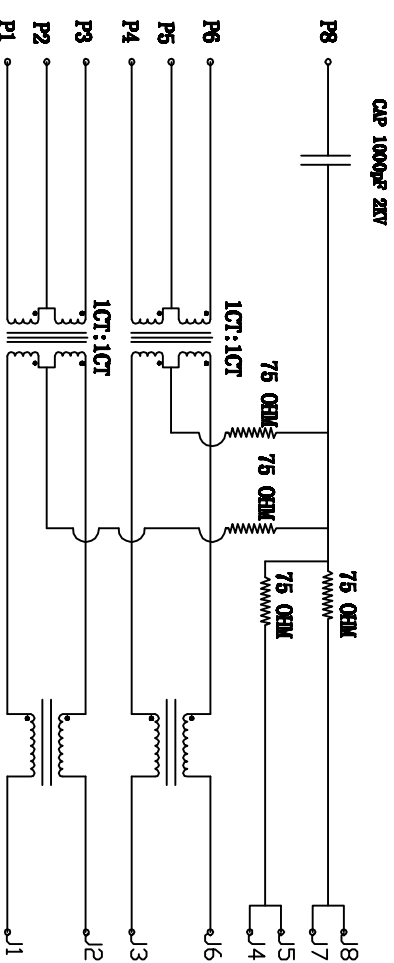
- NOTES:
- CONNECTOR MATERIAL: HDU/SINE-THERMO/PLASTIC UL94 V-0
  - CONTACT/SERIED: COPPER ALLOY
  - SERIED PLATING: NICKEL OR TIN
  - CONTACT PLATING: SELECTIVE GOLD,
  - 50 MICRO-INCHES MIN
  - 30 MICRO-INCHES MIN
  - 15 MICRO-INCHES MIN
  - 6 MICRO-INCHES MIN
  - 3 MICRO-INCHES MIN

- PIN NOT ELECTRICALLY CO NNECTED HAVE OMITTED SEE ELECTRICAL DRAWING FOR OMITTED PINS.
- RJ45 CAVITIES CONFORM TO FCC RULES AND REGULATION PART 68.
- THE PART IS RECOMMENDED FOR WAVE SOLDERING PROCESS PEAK SOLDERING TEMPERATURE IS 280° C MAX. 10 SECS MAX
- OPERATING TEMPERATURE T=0° C TO +70° C.
- STORAGE TEMPERATURE T=-40° C TO +85° C.
- ALL TOLERANCES NOT OTHERWISE SPECIFIED TO BE ±0.25mm.

APPROVED:	DATE:	TITLE:	
CHECKED:	DATE:	RJ45-10P/8C 下带灯 带滤波器 (TS-10014-1)	
DRAWN:	DATE:	CLIENT P/N	C29402225
YAN	2011-04-30	UNIT	mm
		SCALE	Free
		FILE NO.	Chantw-RJ45-0030
		REV.	YH00

深圳市灿科盟实业有限公司  
CHANKEMENG INDUSTRY CO., LTD

P. C. B RECOMMENDED HOLE LAYOUT SEEN FROM COMPONENT SIDE.  
ALL CENTERLINE DIMENSIONS ARE BASIC



ALL THE RAW MATERIALS MEET ROHS STANDARD

ELECTRICAL SPECIFICATIO NS @ 25°C (Comply Woi th IEEE802.3)

- 1.0 TURN RATIO: (P1~P3) : (J1~J2) :1:±3%
- (P4~P6) : (J3~J6) :1:1:±3%
- 2.0 INDUCTANCE: (P1~P3) AND (P4~P6) 350nH MIN @0.1V, 100KHZ, SMA DC BIAS
- :1:1:±3%
- 3.0 LEAKAGE INDUCTANCE:P1~P3 (WITH J1 AND J2 SHORT) :0.35uH MAX @1MHZ
- P4~P6 (WITH J3 AND J6 SHORT) :0.35uH MAX @1MHZ
- 4.0 INTERWINDING CAPACTANCE: (P1~P3) : (J1~J2) :35pF MAX @ 1MHZ
- (P4~P6) : (J3~J6) :35pF MAX @ 1MHZ
- 5.0 DC RESISTANCE: (J1~J2) : (J3~J6) : 1.2 OMS MAX

- 6.0 RETURN LOSS:1MHZ TO 30MHZ :--18DB MIN
- 30MHZ TO 60MHZ :--(18-20)log(f/30)) DB MIN (WHERE f IS IN MHZ)
- 60MHZ TO 80MHZ :--12DB MIN

- 7.0 DIELECTRIC WITHSTAND: (P1~P3) : (J1~J2) :1500VAC OR 2250VDC
- (P4~P6) : (J3~J6) :1500VAC OR 2250VDC
- 8.0 INSERTION LOSS: 100KHZ TO 100MHZ :--1.2DB MAX
- 9.0 CROSS TALK: 1MHZ TO 100MHZ :--35dB TYP
- 10.0 COMMON TO COMMON MODE ATTENUATION: 30MHZ TO 100MHZ :--30dB TYP

TOLERANCE TABLE

.0	±0.20
.00	±0.10
.000	±0.05

APPROVED:	DATE:	TITLE: RJ45-10P/8C 下带灯 带滤波器 (TS-10014-1)			
CHECKED:	DATE:	CLIENT P/N	C2940225	UNIT	mm
DRAWN:	DATE:	SCALE	Free	REV.	YH00
YAN	2011-04-30	FILE NO.	Chantw-RJ45-0030	REV.	YH00

深圳市灿科盟实业有限公司  
Chantw CHANKEMENG INDUSTRYCO., LTD