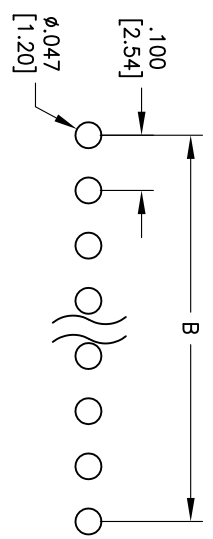
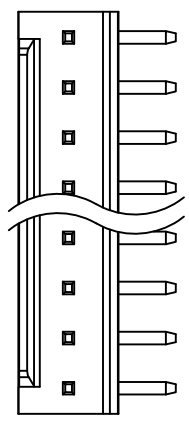
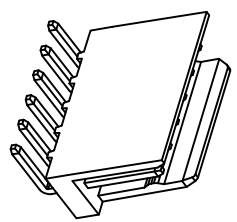
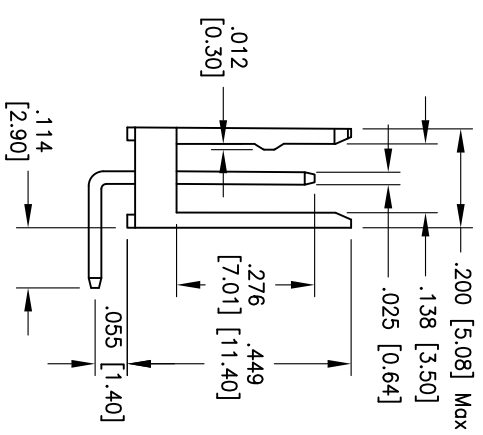
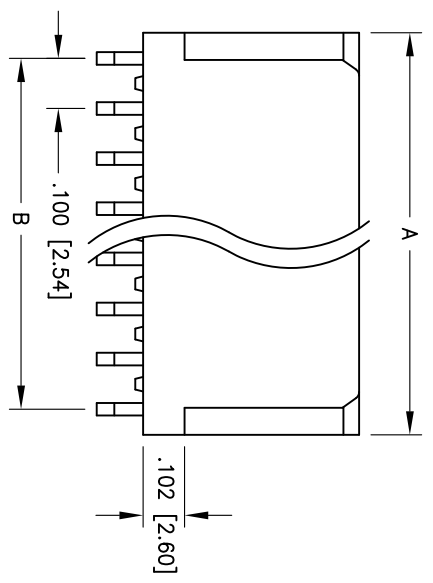


APPROVED: _____
 DATE: _____ TITLE: _____

| Rev | AWO # | Description | Date | Appr |
|-----|-------|---------------|----------|------|
| - | | RELEASED | 10/27/08 | |
| A | | REVISED COLOR | 11/18/09 | |



Recommended PCB Layout



SPECIFICATIONS:

Material: Nylon 66, rated UL 94V-0
 Insulator color: Black
 Contacts: Copper Alloy
 Plating:
 Gold flash over Nickel underplate overall.

Electrical:

Operating voltage: 250 VAC max
 Current rating: 3 Amps max
 Contact resistance: 20 mohms max
 Insulation resistance: 1,000 Mohms min
 Dielectric withstanding voltage: 1,000 VAC for 1 minute
 Temperature Rating:
 Operating temperature: -25°C to +105°C

Environmental:

Lead free, RoHS compliant
 Recommended soldering temp: 235°C for 5 seconds

Positions: 2 thru 20
 A = .100 [2.54] x No. of Positions
 B = .100 [2.54] x No. of Spaces

| UNLESS OTHERWISE SPECIFIED | |
|--------------------------------|--------------|
| ALL DIMENSIONS ARE INCHES [MM] | |
| TOLERANCES: EXCEPT AS NOTED | |
| INCHES | HOLES |
| .X ± .10 | ØXX ± .10 |
| .XX ± .020 | ØXXX ± .015 |
| .XXX ± .015 | ØXXXX ± .010 |

| APPROVALS | DATE |
|-----------|----------|
| DRAWN | 10/27/08 |
| CHECKED | |
| APPROVED | |

ADAM TECH

909 Rahway Avenue, Union, NJ 07083
 Phone: 908-687-5000 Fax: 908-687-5710

TITLE: .100 [2.54] LOCKING HEADER, LONG BACK, RIGHT ANGLE, GOLD PLATED, PCB

| SIZE | PART NO. | REV. |
|------|-----------------|------|
| X | LHA-D-XX-GRA-V0 | A |

REF: S00096T SCALE: NTS SHEET 1 OF 1



6

5

4

3

2

1