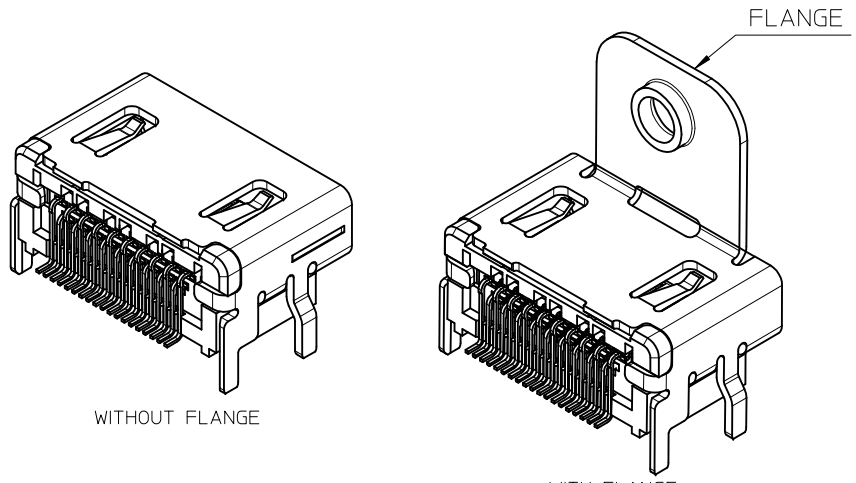
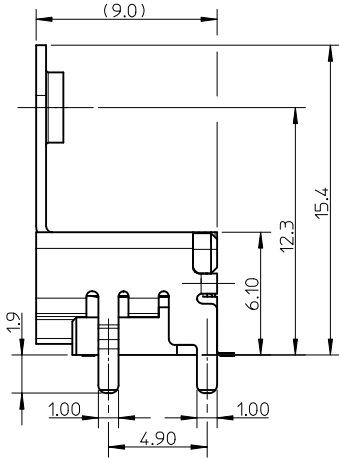
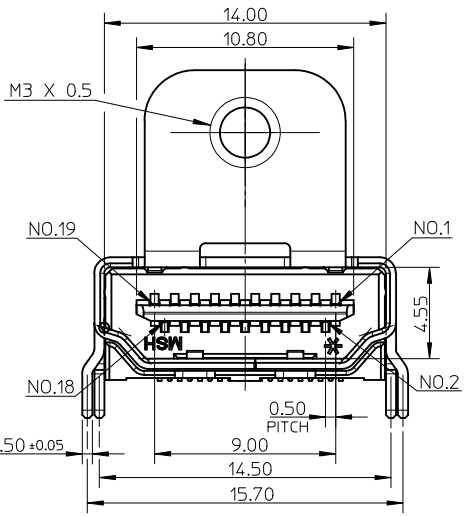
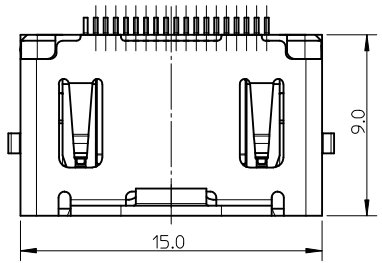
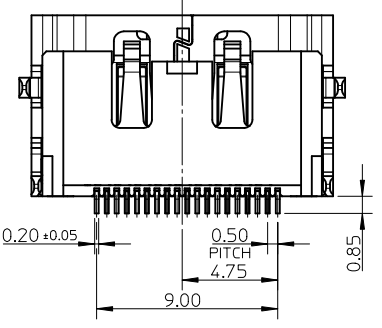


10 9 8 7 6 5 4 3 2 1



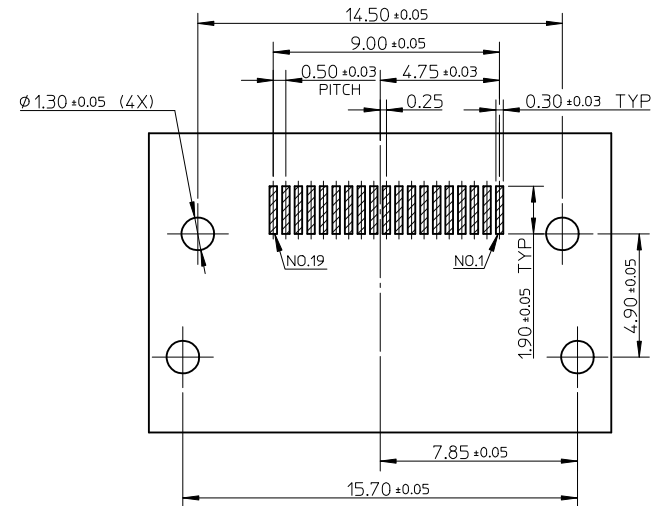
- NOTES:
- MATERIALS:
    - HOUSING: HIGH TEMPERATURE THERMAL PLASTIC. COLOR: SEE TABLE.
    - SHELL: COPPER ALLOY.
    - TERMINAL: COPPER ALLOY.
  - FINISHES:
    - CONTACT AREA: (1) 0.76 MICROMETER MIN. GOLD PLATING.
    - (2) 0.25 MICROMETER MIN. GOLD PLATING.
    - (3) GOLD FLASH.
    - (4) GOLD FLASH OVER PD/NI
    - SOLDER AREA: 1 MICROMETER MIN. TIN-BISMUTH ALLOY PLATING.
    - UNDER PLATE: 1.27 MICROMETER MIN. NICKEL PLATING.
    - SHELL: (1) 1.27 MICROMETER MIN. MATTE TIN PLATING OVERALL.
    - (2) 0.75 MICROMETER MIN. SOLDERABLE NICKEL PLATING OVERALL.
  - PRODUCT SPECIFICATION: PS-47152-001 , TBA FOR PD/NI OPTION
  - PACKAGING SPECIFICATION: SEE TABLE
  - TERMINAL RETENTION FORCE TO BE 0.3kgf Min.
  - COPLANARITY OF ALL TERMINALS IS 0.10mm MAX.
  - PRODUCT COMPLIANT TO RoHS DIRECTIVE 2002/95/EC AND ELV DIRECTIVE 2000/53/EC.



ADD PART NO. EC NO: S2012-0578 DRWN: JZENG 2012/01/18 CH'KD: JESSIE CHUA 2012/03/15 APPR: NAGESHKN 2012/03/19	QUALITY SYMBOLS F=0 F=0 F=0	GENERAL TOLERANCES (UNLESS SPECIFIED)		DIMENSION STYLE MM ONLY		SCALE NTS	DESIGN UNITS METRIC	THIRD ANGLE PROJECTION		
			mm	INCH	DRAWN BY	DATE	TITLE			
		4 PLACES	± ---	± ---	ROST ZHANG	2005/05/20	HDMI RECEPTACLE W/SCREW R/A SMT CUSTOMER DRAWING			
		3 PLACES	± ---	± ---	CHECKED BY	DATE	MOLEX INCORPORATED			
	2 PLACES	± 0.20	± ---	GRATE MA	2005/05/20	MATERIAL NO.				
	1 PLACE	± 0.30	± ---	APPROVED BY	DATE	DOCUMENT NO.				
	ANGULAR ± 2 °		XJSONG		2010/01/26	SEE TABLE				
DRAFT WHERE APPLICABLE MUST REMAIN WITHIN DIMENSIONS		SIZE		THIS DRAWING CONTAINS INFORMATION THAT IS PROPRIETARY TO MOLEX INCORPORATED AND SHOULD NOT BE USED WITHOUT WRITTEN PERMISSION						
H2		A3		SD-47266-001		SHEET NO. 1 OF 2				

9 8 7 6 5 4 3 2 1

	10	9	8	7	6	5	4	3	2	1	
F	47266-2301	BLACK	SEE NOTE 2(4)	MATTE TIN	WITHOUT FLANGE	TAPE & REEL, PK-47266-001					
	47266-0301				WITH FLANGE	TRAY, PK-47266-002					
	47266-7211	NATURE	SEE NOTE 2(3)	SOLDERABLE NICKEL	WITHOUT FLANGE	TAPE & REEL, PK-47266-001					
	47266-7111		SEE NOTE 2(2)								
47266-7011	SEE NOTE 2(1)										
47266-6301	BLACK	SEE NOTE 2(4)	SOLDERABLE NICKEL	WITHOUT FLANGE	TAPE & REEL, PK-47266-001						
47266-6201		SEE NOTE 2(3)									
47266-6101		SEE NOTE 2(2)									
47266-6001		SEE NOTE 2(1)									
E	47266-5211	NATURE	SEE NOTE 2(3)	SOLDERABLE NICKEL	WITH FLANGE	TAPE & REEL, PK-47266-003					
	47266-5111		SEE NOTE 2(2)								
	47266-5011		SEE NOTE 2(1)								
	47266-4211	BLACK	SEE NOTE 2(3)	SOLDERABLE NICKEL	WITH FLANGE	TAPE & REEL, PK-47266-003					
47266-4111	SEE NOTE 2(2)										
47266-4011	SEE NOTE 2(1)										
D	47266-5201	NATURE	SEE NOTE 2(3)	SOLDERABLE NICKEL	WITH FLANGE	TRAY, PK-47266-002					
	47266-5101		SEE NOTE 2(2)								
	47266-5001	SEE NOTE 2(1)	BLACK	SEE NOTE 2(3)	SOLDERABLE NICKEL	WITH FLANGE	TRAY, PK-47266-002				
	47266-4201	SEE NOTE 2(2)									
	47266-4101	SEE NOTE 2(1)	NATURE	SEE NOTE 2(3)	MATTE TIN	WITHOUT FLANGE	TAPE & REEL, PK-47266-001				
	47266-4001	SEE NOTE 2(2)									
	47266-3201	BLACK	SEE NOTE 2(3)	MATTE TIN	WITHOUT FLANGE	TAPE & REEL, PK-47266-001					
	47266-3101		SEE NOTE 2(2)								
47266-3001	SEE NOTE 2(1)										
C	47266-2201	NATURE	SEE NOTE 2(3)	MATTE TIN	WITHOUT FLANGE	TAPE & REEL, PK-47266-001					
	47266-2101		SEE NOTE 2(2)								
	47266-2001	SEE NOTE 2(1)	BLACK	SEE NOTE 2(3)	MATTE TIN	WITH FLANGE	TAPE & REEL, PK-47266-003				
	47266-1211	SEE NOTE 2(2)									
	47266-1111	SEE NOTE 2(1)	NATURE	SEE NOTE 2(3)	MATTE TIN	WITHOUT FLANGE	TAPE & REEL, PK-47266-001				
	47266-1011	SEE NOTE 2(2)									
	47266-0211	BLACK	SEE NOTE 2(3)	MATTE TIN	WITH FLANGE	TAPE & REEL, PK-47266-003					
	47266-0111		SEE NOTE 2(2)								
47266-0011	SEE NOTE 2(1)										
B	47266-1201	NATURE	SEE NOTE 2(3)	MATTE TIN	WITH FLANGE	TRAY, PK-47266-005					
	47266-1101		SEE NOTE 2(2)			TRAY, PK-47266-002					
	47266-1001		SEE NOTE 2(1)			TRAY, PK-47266-005					
	47266-0201	BLACK	SEE NOTE 2(3)	MATTE TIN	WITH FLANGE	TRAY, PK-47266-002					
	47266-0102		SEE NOTE 2(2)			TRAY, PK-47266-002					
47266-0001	SEE NOTE 2(1)										
	P/N	HOUSING COLOR	CONTACT AREA PLATING	SHELL PLATING	REMARK	PACKAGING SPECIFICATION					



<b>ADD PART NO.</b> EC NO: S2012-0578 DRWN: JZENG 2012/01/18 CHKD: JESSIECHUA 2012/03/15 APPR: NAGESHKN 2012/03/19 H2	<b>QUALITY SYMBOLS</b> $\nabla_A = 0$ $\nabla_C = 0$ $\nabla_B = 0$	<b>GENERAL TOLERANCES (UNLESS SPECIFIED)</b>		<b>DIMENSION STYLE</b> MM ONLY	<b>SCALE</b> NTS	<b>DESIGN UNITS</b> METRIC	THIRD ANGLE PROJECTION		
		4 PLACES $\pm$ --- $\pm$ --- 3 PLACES $\pm$ --- $\pm$ --- 2 PLACES $\pm$ 0.20 $\pm$ --- 1 PLACE $\pm$ 0.30 $\pm$ ---	mm INCH $\pm$ --- $\pm$ --- $\pm$ 0.20 $\pm$ --- $\pm$ 0.30 $\pm$ ---	DRAWN BY ROST ZHANG	DATE 2005/05/20	<b>TITLE</b> HDMI RECEPTACLE W/SCREW R/A SMT CUSTOMER DRAWING			
		ANGULAR $\pm$ 2 °		CHECKED BY GRATE MA	DATE 2005/05/20	<b>MOLEX INCORPORATED</b>			
		DRAFT WHERE APPLICABLE MUST REMAIN WITHIN DIMENSIONS		APPROVED BY XJSONG	DATE 2010/01/26	MATERIAL NO. SEE TABLE	DOCUMENT NO. SD-47266-001	SHEET NO. 2 OF 2	