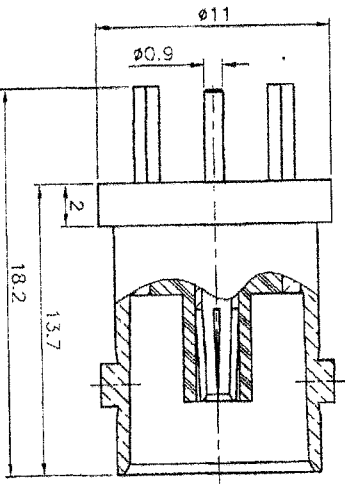
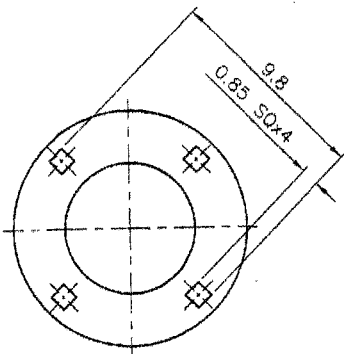
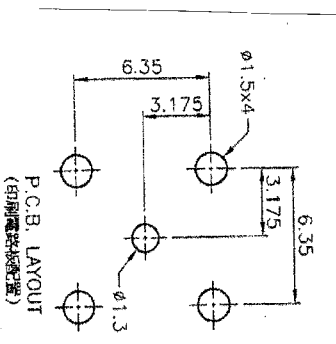


Rev	AWO #	Description	Date	Appr
-		RELEASED	8/18/05	

APPROVED: \_\_\_\_\_ TITLE: \_\_\_\_\_  
 DATE: \_\_\_\_\_



**ELECTRICAL SPECIFICATIONS:**  
 Voltage rating: AC 500V  
 With standing voltage: AC 1,500V one minute  
 Insulation resistance: 1,000MΩ/min at DC 500V  
 Contact resistance: 3mΩ max at DC 1A  
 Frequency range: 0-4GHz  
 VSWR: 1.2 max, 0-2GHz  
 Impedance: 50 Ohm  
 INTERFACE PER MIL-C-39012C

LOCK RING	BRASS	NICKEL
CONTACT PIN	BRASS	GOLD
BODY	BRASS	NICKEL
INSULATOR	TEFLON	WHITE
DESCRIPTION	MATERIAL	FINISH

**SPECIFICATIONS:**  
 Environmental:  
 Lead free, RoHS compliant.  
 Recommended soldering temp: 230° for 5 sec.



UNLESS OTHERWISE SPECIFIED  
 ALL DIMENSIONS ARE MM [INCHES]  
 TOLERANCES: EXCEPT AS NOTED  
 INCHES  
 X ±.10 ØX ±.10 HOLES  
 XX ±.020 ØXX ±.015  
 XXX ±.015 ØXXX ±.010

**ADAM TECH**  
 909 Rahway Avenue, Union, NJ 07083  
 Phone: 908-687-5000 Fax: 908-687-5710

**BNC CONNECTOR PCB MOUNT 50 OHM**

DRAWN	SS	DATE	8/18/05
CHECKED			
APPROVED			

SIZE	PART NO.	REV.
X	RF1-07-1-00-50	
SCALE:	NIS	SHEET 1 OF 1