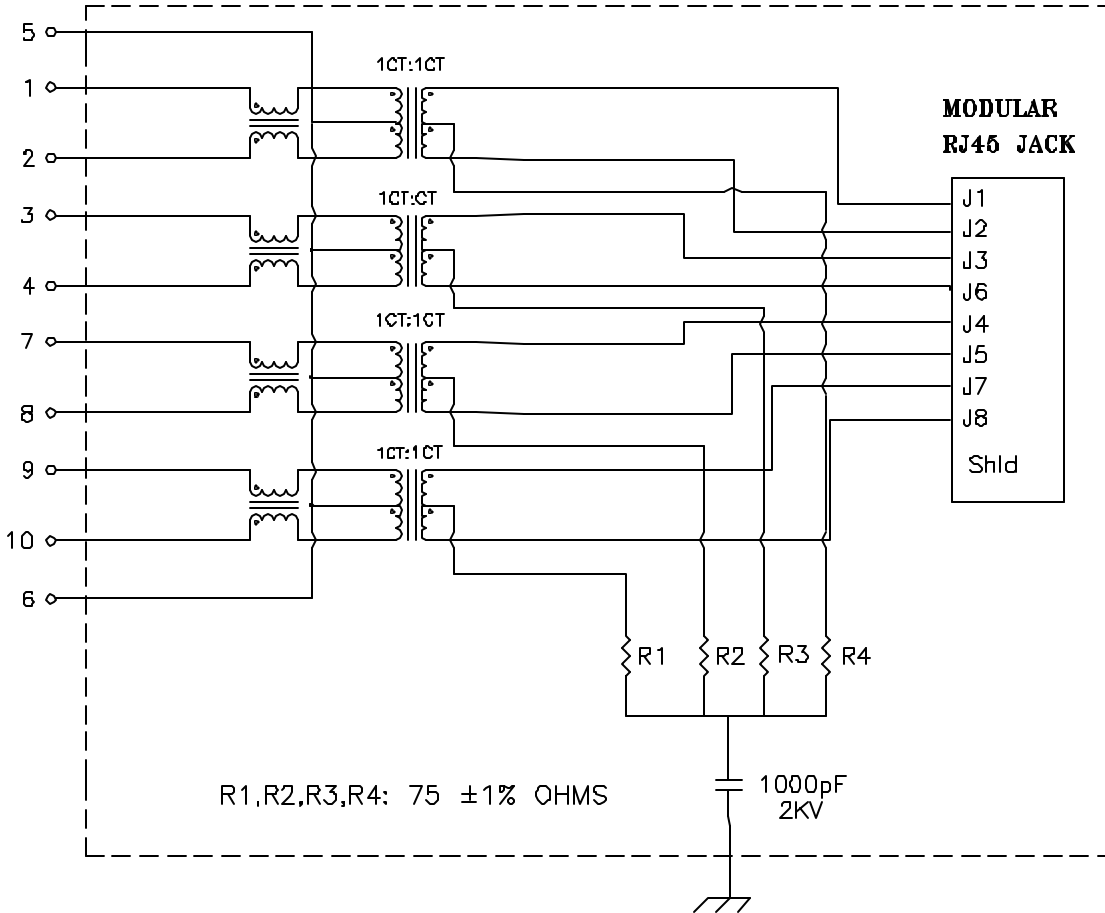


### Schematic: (FOUR PORT)



### Electrical Specifications: @25°C

ISOLATION: 1500 Vrms  
 TURNS RATIO: (PRI/SEC) 1CT:1CT ±2%  
 OCL: 350uH MIN @100KHz 100mV 8mA DC  
 Rise Time: 1.75ns Max.  
 INSERTION LOSS: -0.8dB MAX @1MHz-100MHz  
 -1.2dB MAX @100MHz-125MHz  
 RETURN LOSS: -18dB Min @1MHz-40MHz  
 -12dB Min @40MHz-100MHz  
 Common to Differential Mode Rejection:  
 -35dB Min @100KHz-100MHz  
 CMRR: -30dB Min @100KHz-100MHz  
 Crosstalk: -33dB Min @30MHz

#### Notes:

1. Solderability: Leads shall meet MIL-STD-202G, Method 208H for solderability.
2. Flammability: UL94V-0
3. ASTM oxygen index: > 28%
4. Insulation System: Class F 155°C. UL file E151558
5. Operating Temperature Range: All listed parameters are to be within tolerance from -40°C to +85°C
6. Storage Temperature Range: -55°C to +125°C
7. Aqueous wash compatible
8. Electrical and mechanical specifications 100% tested
9. RoHS Compliant Component

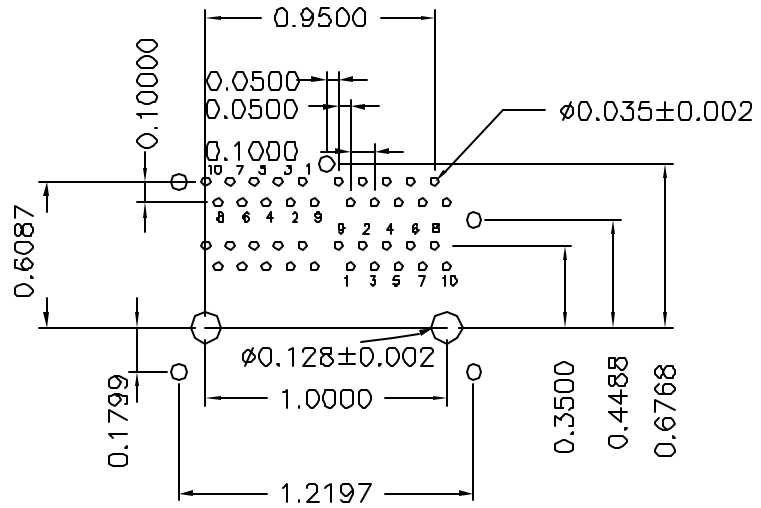
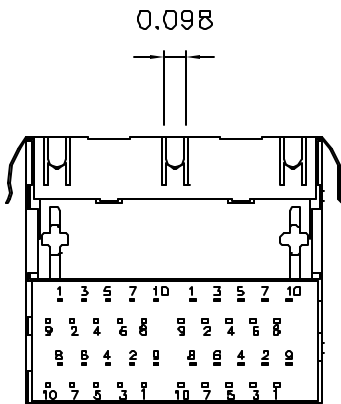
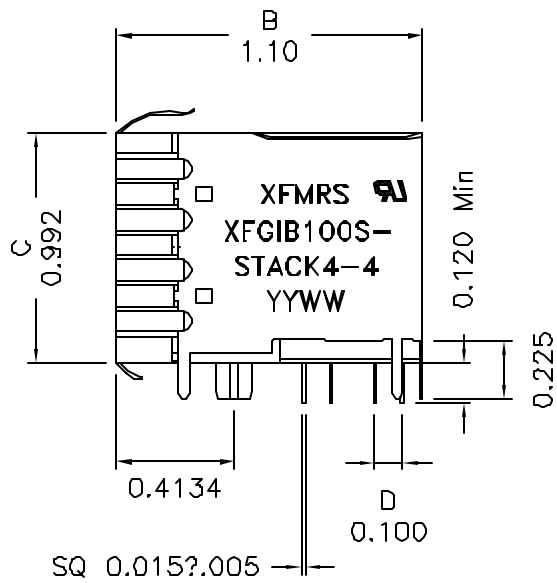
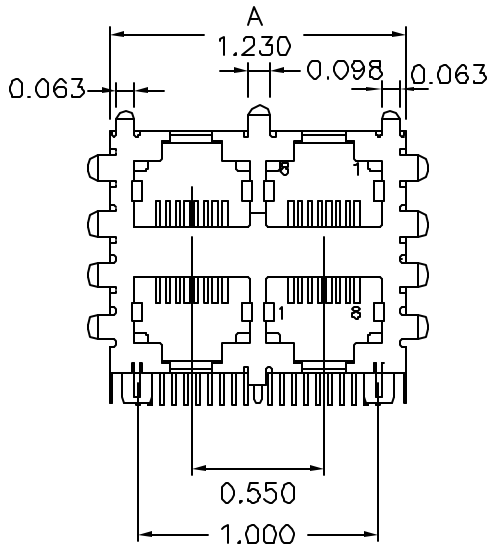
DOC. REV: A/2

<b>XFMRs Inc.</b> www.XFMRs.com	Title: <b>FOUR PORT COMBO</b>		
	UNLESS OTHERWISE SPECIFIED	P/N: XFGIB100S-STACK4-4	REV. A
TOLERANCES: .xxx ±0.010	DWN.	刘 鹏	May-31-06
Dimensions in Inch	CHK.	李小锋	May-31-06
SHEET 2 OF 2	APP.	BW	May-31-06

**PROPRIETARY:**

Document is the property of XFMRs Group & is not allowed to be duplicated without authorization.

**Mechanical Dimensions:**



DOC REV: A/2

**XFMRs Inc.**  
www.XFMRs.com

Title: Mechanical Dimensions  
For 2x2 STACKED COMBO Series

UNLESS OTHERWISE SPECIFIED  
TOLERANCES:  
.xxx ±0.010  
Dimensions in Inch

P/N: XFGIB100S-STACK4-4

REV. A

DWN.

Juan Mao

May-31-06

CHK.

YK Liao

May-31-06

SHEET 2 OF 2

APP.

BW

May-31-06

**PROPRIETARY:**

Document is the property of XFMRs Group & is not allowed to be duplicated without authorization.