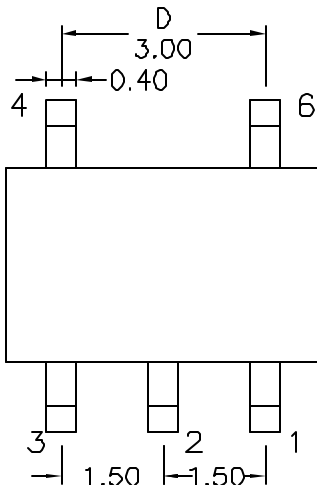
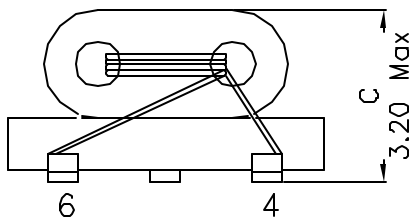
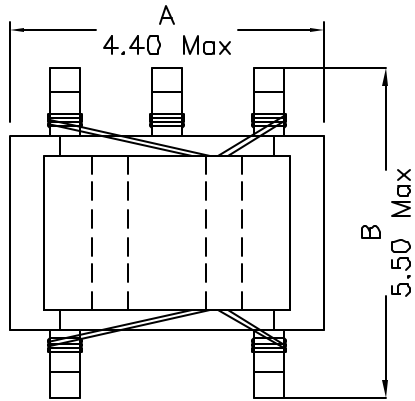
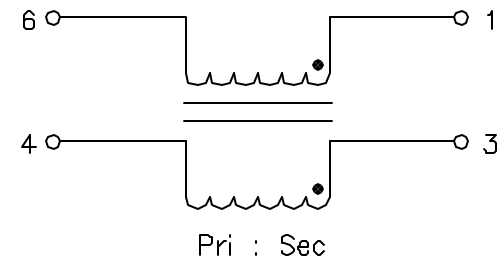


1. Mechanical Dimensions:



BOTTOM VIEW

2. Schematic:



3. Electrical Specifications:

- Impedance Ratio: Pri:Sec 1:1 ±2%
- Turns Ratio: Pri:Sec 1:1 ±2%
- Bandwidth: 3dB Typ 5–140 MHz
3dB Typ 5–65 MHz
3dB Typ 20–65 MHz
- Insertion Loss: 1.0dB Typ @Midband

Notes:

1. Solderability: Leads shall meet MIL-STD-202G, Method 20BH for solderability.
2. Flammability: UL94V-0
3. ASTM oxygen index: > 28%
4. Insulation System: Class F 155°C. UL file E151556
5. Operating Temperature Range: All listed parameters are to be within tolerance from -40°C to +85°C
6. Storage Temperature Range: -55°C to +125°C
7. Aqueous wash compatible
8. SMD Lead Coplanarity: ±0.004"(0.102mm)
9. Electrical and mechanical specifications 100% tested
10. RoHS Compliant Component

DOC. REV. A/1

PROPRIETARY

Document is the property of XFMRs Group & is not allowed to be duplicated without authorization.

XFMRs Inc www.XFMRs.com		Title: RF TRANSFORMER	
UNLESS OTHERWISE SPECIFIED TOLERANCES: .xx ±0.30 Dimensions in MM	P/N: XFWBC0550550	REV. A	
	DWN.	Juan Mao	Feb-25-06
SHEET 1 OF 1	CHK.	YK Liao	Feb-25-06
	APP.	MS	Feb-25-06