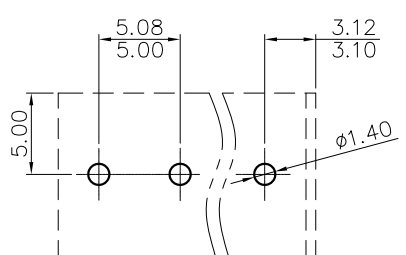
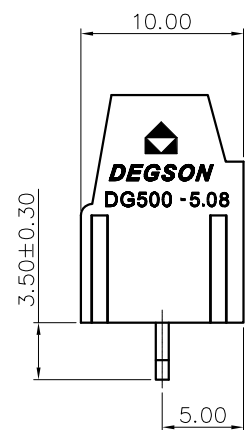
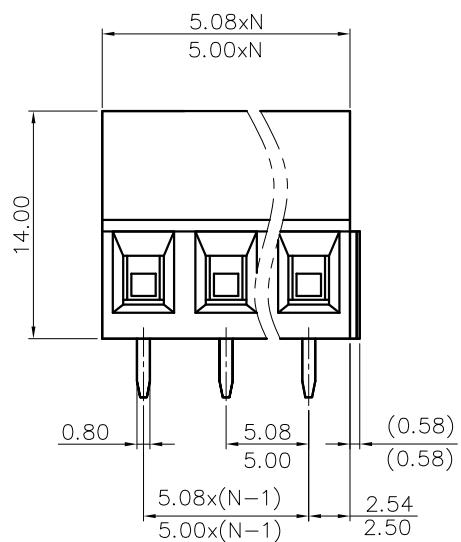
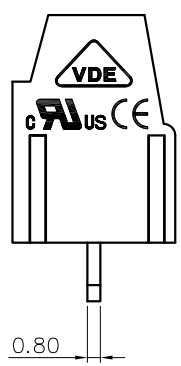
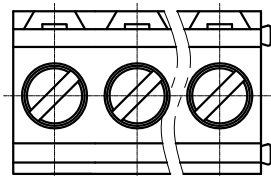


REVISION RECORD				
REV	ECN	DESCRIPTION	DRFT	DATE



PCB LAYOUT

NOTES1:

- UL Standard
- 1.Rated voltage/current : 300V / 20A
 - 2.Torque value : M2.5 , 3.54Lb.in
 - 3.Wire range : 30~12AWG
- IEC Standard
- 1.Rated voltage/current : 250V / 18A
 - 2.Torque value : M2.5 , 0.4N·m
 - 3.Wire range : 1.0~2.5mm²

NOTES2:

- 1.Dimension shall be interpreted per ASME Y14.5-2009
- 2.Pitch : 7.62mm, Poles : N=02~XXP
- 3.Stripping length : 6~7mm
- 4.Withstanding voltage : AC2000V/1Min
- 5.Operating temperature: -40°C~+105°C
- 6.Undimensioned tolerances:

Pitch range in mm			Nominal dimension range in mm				-	∩	□
TO	Over TO	Over TO	TO	Over TO	Over TO	Over TO			
6	10	24	30	60	100	150		0.1/10	
±0.15	±0.20	±0.30	±0.30	±0.50	±0.70	±1.00	±1.30	±2*	

7.RoHS Compliance

DG500 - 5.0/5.08 - XXP - 1Y - 00A (H)

(Series No.) (Pitch) (Poles) (Single Pitch) (Color): 1.(Grey) 2.(Blue) 3.(Black) 4.(Green) 5.(Orange) 6.(Red) 7.(Transparent) 8.(Yellow) 9.(White)

(RoHS) 00A-(Standard)

DETACHED LISTS	PART NO.:	/			
	APPD:	/			
	CHKD:	/			
	DRFT:	/			
	NAME:	NINGBO DEGSON ELECTRICAL CO., LTD			
		DG500-5.0/5.08-XXP-1Y-00A(H)			
	TITLE:	CUSTOMER DRAWING	REV	DO	
	DRAWING NO.:	/	SHEET	1/1	
	THIRD ANGLE PROJECTION	MM (INCH)	DO NOT SCALE DRAWING	SCALE	1:1