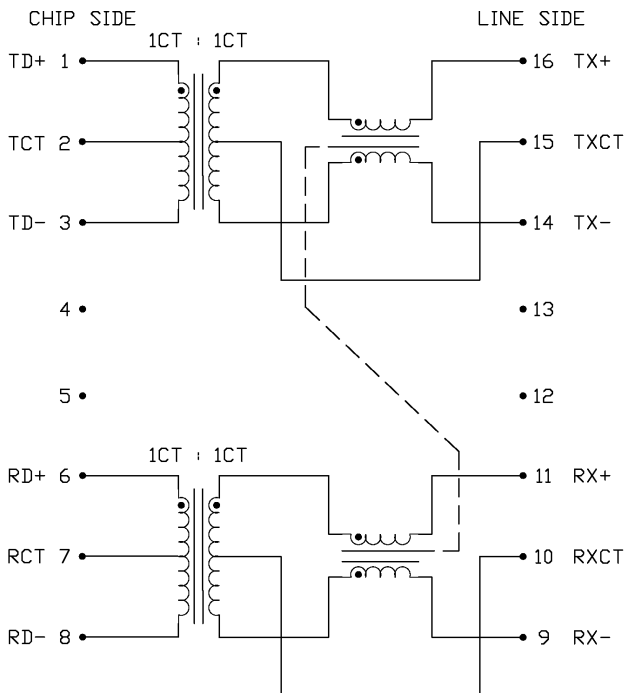


THE INFORMATION CONTAINED HEREIN IS CONSIDERED "PROPRIETARY" TO BEL FUSE INC. AND SHALL NOT BE COPIED, REPRODUCED OR DISCLOSED WITHOUT THE WRITTEN APPROVAL OF BEL FUSE INC.

ELECTRICAL CHARACTERISTICS @ 25°C



SCHEMATIC



URNS RATIO

PIN 1-2-3 : 16-15-14
 PIN 6-7-8 : 11-10-9

□□L (0°~70°C)

Tx PIN 1-3 OPEN 16-14
 Rx PIN 6-8 OPEN 11-9
 LEAKAGE INDUCTANCE, L_L
 Tx PIN 1-3 SHORT 16-14
 Rx PIN 6-8 SHORT 11-9

INTERWINDING CAPACITANCE, C_w/w

Tx PIN 1-3 TO 16-14
 Rx PIN 6-8 TO 11-9

DCR

PIN (1-3) ; (6-8)

INSERTION LOSS

1 MHz TO 100 MHz

RETURN LOSS

1 MHz - 30 MHz
 30 MHz - 60 MHz
 60 MHz - 80 MHz

COMMON TO DIFFERENTIAL

100 kHz - 100 MHz

CROSSTALK

100 kHz - 100 MHz

HIPOT

1CT : 1CT
 1CT : 1CT
 350 μ H MIN.
 @ 100kHz, 100mVrms
 WITH 8mA DC BIAS
 0.30 μ H MAX.
 @ 1MHz, 20mV
 30 pF MAX.
 @ 1MHz, 20mV

1.1 Ω m MAX.

1.2 dB MAX.

18 dB MIN.
 18-20 LOG (F/30MHz)
 12 dB MIN.

35 dB MIN.

35 dB MIN.

PER HAND-WORK-03

ORIGINATED BY	DATE	TITLE	PART NO. / DRAWING NO.	STANDARD DIM.	[] METRIC DIM. AS REFERENCE
HQ	07-19-05	VOIP INTERFACE MODULE S558-5500-25-F	X558550025-F	TOL. IN INCH	UNIT : INCH [mm] REV. : A
DRAWN BY	DATE		FILE NAME	.X	SCALE : N/A
DQ Chen	07-19-05		X558550025FA.DWG	.XX	PAGE : 2
				.XXX	

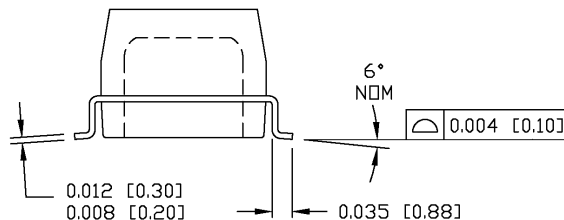
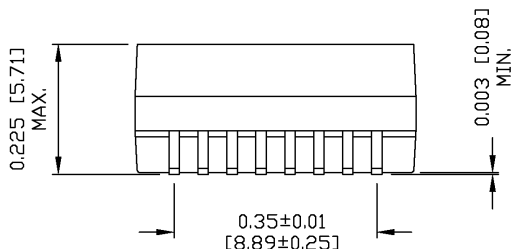
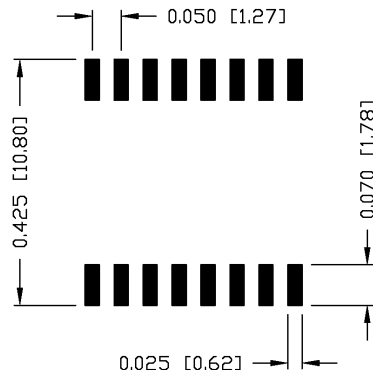
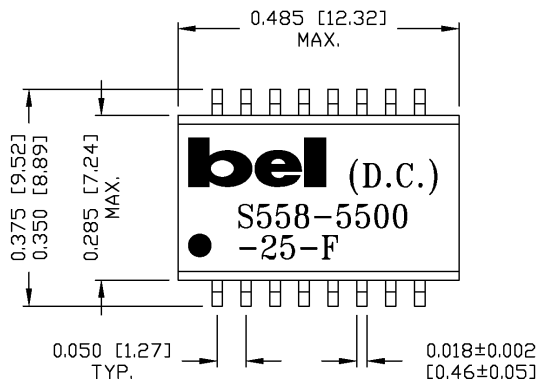


THE INFORMATION CONTAINED HEREIN IS CONSIDERED "PROPRIETARY" TO BEL FUSE INC. AND SHALL NOT BE COPIED, REPRODUCED OR DISCLOSED WITHOUT THE WRITTEN APPROVAL OF BEL FUSE INC.

RoHS
2002/95/EC



SUGGESTED PCB PAD LAYOUT



NOTES:

- STANDARD MARKING REFER TO DOC. HAND-WORK-04.
- PACKAGE CODE: "QBS001".

ORIGINATED BY	DATE	TITLE	PART NO. / DRAWING NO.	STANDARD DIM.	[] METRIC DIM. AS REFERENCE	
HD	07-19-05	MECHANICAL DRAWING S558-5500-25-F	X558550025-F	TOL. IN INCH	UNIT : INCH [mm]	REV. : A
DRAWN BY	DATE		FILE NAME	.X	SCALE : N/A	SIZE : A4
DQ Chen	07-19-05		X558550025FA.DWG	.XX ±0.01	PAGE : 3	
				.XXX ±0.005		

