

**PLEASE CHECK WWW.MOLEX.COM FOR LATEST PART INFORMATION**

**Part Number:** **0482006010**

**Status:** **Active**

**Overview:**

**Description:** 1.27mm (.050") Pitch Compact PCI Slot, Board-to-Board Edge Card Connector, Vertical, Double-Sided, Dual Read-Out, White, with Plastic Peg, One End Cut, Gold (Au) Flash, 120 Circuits, Lead Free

**General**

Product Family	Edge Card Connectors
Series	48200
Comments	With One End Cut
Component Type	Edgecard to PCB
Overview	edge_card_connectors
Product Name	Edge Card

**Physical**

Circuits (Loaded)	120
Circuits (maximum)	120
Circuits Detail	All Signal
Durability (mating cycles max)	50
Entry Angle	Vertical (Top Entry)
Keying to Mating Part	Yes
Material - Plating Mating	Gold
Material - Plating Termination	Tin
PC Tail Length (in)	0.118 In
PC Tail Length (mm)	3.00 mm
PCB Locator	Yes
PCB Retention	Yes
PCB Thickness Recommended (in)	0.062 In
PCB Thickness Recommended (mm)	1.60 mm
Packaging Type	Tray
Pitch - Mating Interface (in)	0.050 In
Pitch - Mating Interface (mm)	1.27 mm
Polarized to Mating Part	Yes
Temperature Range - Operating	-10°C to +85°C
Termination Interface: Style	Through Hole

**Electrical**

Current - Maximum per Contact	1A
Voltage - Maximum	30V

**Material Info**

**Reference - Drawing Numbers**

Packaging Specification	PK-48200-003
Product Specification	PS-48200-001
Sales Drawing	SD-48200-003
Test Summary	TS-48200-001

**EU RoHS**

**ELV and RoHS  
Compliant**

**REACH SVHC**

Not Reviewed

**Halogen-Free**

**Status**

**Not Reviewed**

**China RoHS**



**Need more information on product  
environmental compliance?**

Email [productcompliance@molex.com](mailto:productcompliance@molex.com)  
For a multiple part number RoHS Certificate of  
Compliance, [click here](#)

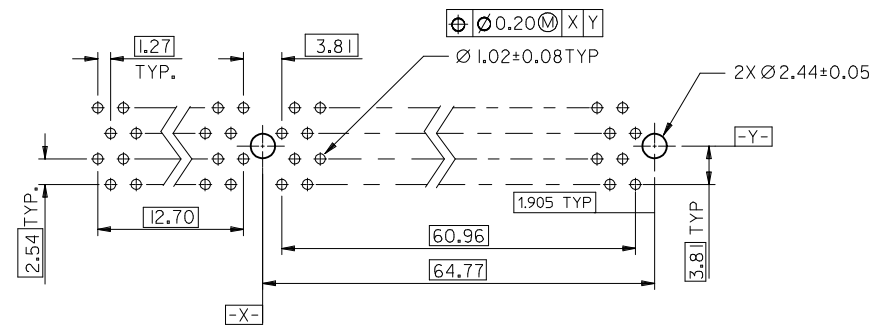
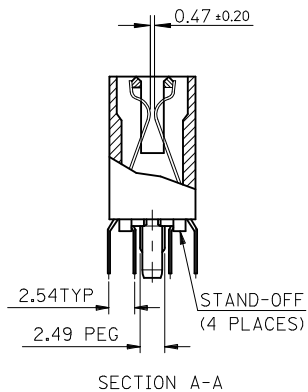
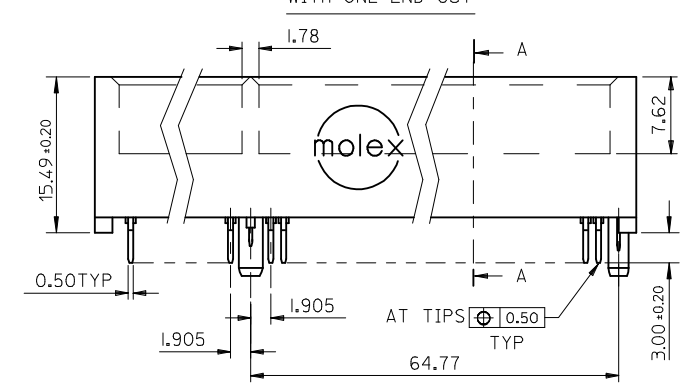
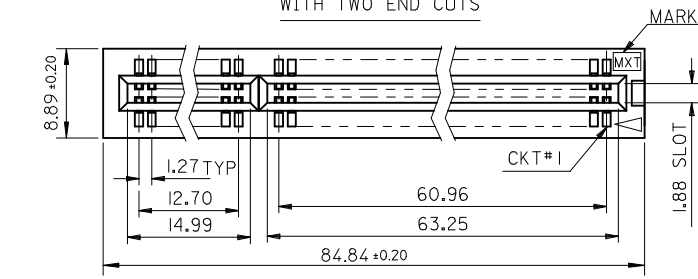
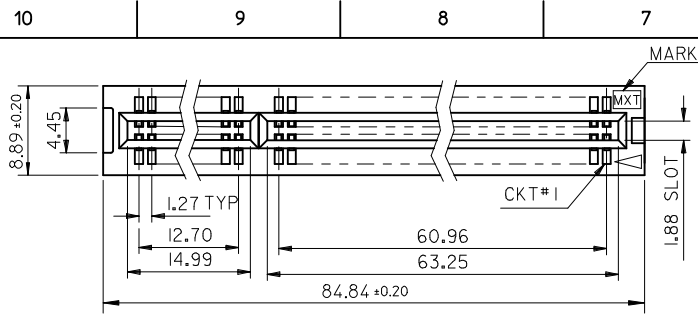
Please visit the [Contact Us](#) section for any  
non-product compliance questions.

**Search Parts in this Series**

48200Series

**Mates With**

32-bit PCI card

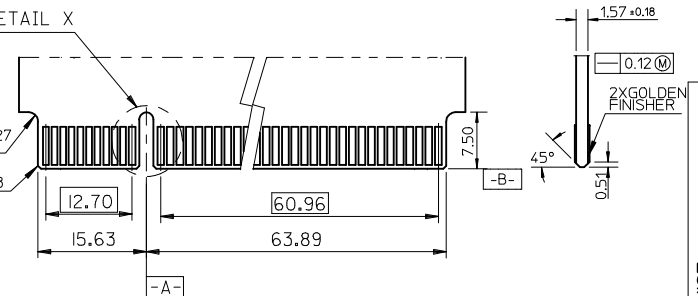


RECOMMENDED CONNECTOR MOUNTING HOLE PATTERN

- NOTES:
- MATERIAL : HOUSING - PPS  
TERMINAL - PHOSPHOR BRONZE.
  - FINISH 0 - GOLD FLASH IN CONTACT AREA, 1.52um/60uIn MIN. TIN IN SOLDER TAIL, BOTH OVER 0.76um/30uIn MIN. NICKEL OVERALL.
    - 1 - 0.25um/10uIn MIN. GOLD IN CONTACT AREA, 1.52um/60uIn MIN. TIN IN SOLDER TAIL, BOTH OVER 0.76um/30uIn MIN. NICKEL OVERALL.
    - 2 - 0.38um/15uIn MIN. GOLD IN CONTACT AREA, 1.52um/60uIn MIN. TIN IN SOLDER TAIL, BOTH OVER 0.76um/30uIn MIN. NICKEL OVERALL.
    - 3 - 0.76um/30uIn MIN. GOLD IN CONTACT AREA, 1.52um/60uIn MIN. TIN IN SOLDER TAIL, BOTH OVER 0.76um/30uIn MIN. NICKEL OVERALL.
    - 4 - 0.50um/20uIn MIN. GOLD IN CONTACT AREA, 1.52um/60uIn MIN. TIN IN SOLDER TAIL, BOTH OVER 0.76um/30uIn MIN. NICKEL OVERALL.
  - PRODUCT SPEC : PER PS-48200-001
  - TEST SUMMARY : PER TS-48200-001
  - PACKAGE SPEC : PER PK-48200-001
  - LEAD-FREE AND ROHS COMPLIANCE PRODUCT

PART NO. LEGEND : 48200 - 6 0 0 0

PEG VERSION & COLOR	PLATING VERSION
0 : STANDARD ; BROWN ,WITH ONE END CUT	0
1 : STANDARD ; WHITE ,WITH ONE END CUT	1
2 : STANDARD ; BROWN ,WITH TWO END CUTS	2
3 : STANDARD ; WHITE ,WITH TWO END CUTS	3
	4



RECOMMENDED MATING P.C.BOARD EDGE CONFIGURATION

REVISE	DESCRIPTION
D	EC NO: SH2009-0692 DRW: FANG05 2009/05/08 CHKD: 2009/05/11 APPR: HWANG 2009/06/26

GENERAL TOLERANCES (UNLESS SPECIFIED)	mm	INCH
	4 PLACES	± ---
3 PLACES	± ---	± ---
2 PLACES	± 0.25	± ---
1 PLACE	± 0.25	± ---
ANGULAR ± 3 °		

DRAFT WHERE APPLICABLE  
MUST REMAIN  
WITHIN DIMENSIONS

DIMENSION STYLE		SCALE	DESIGN UNITS	THIRD ANGLE PROJECTION
MM ONLY			METRIC	
DRAWN BY	DATE	TITLE		
TOM	2005/02/04	ASS'Y 1.27MM EDGE CARD CONNECTOR (120 CKTS) (LEAD-FREE VERSION)		
CHECKED BY	DATE	MOLEX MOLEX INCORPORATED		
ALL IN	2005/02/04	DOCUMENT NO. SD-48200-003		
APPROVED BY	DATE	SHEET NO. 1 OF 1		
WWSCHANG	2005/02/04	THIS DRAWING CONTAINS INFORMATION THAT IS PROPRIETARY TO MOLEX INCORPORATED AND SHOULD NOT BE USED WITHOUT WRITTEN PERMISSION		
MATERIAL NO.	SIZE A3			