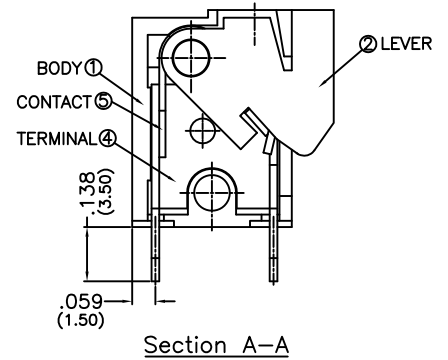
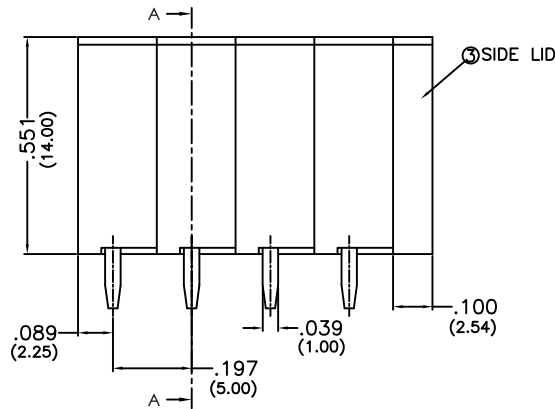
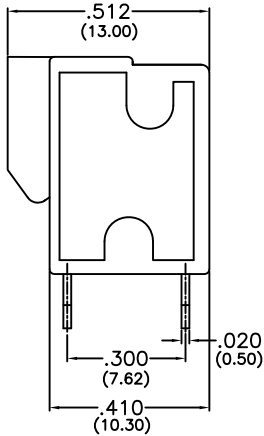
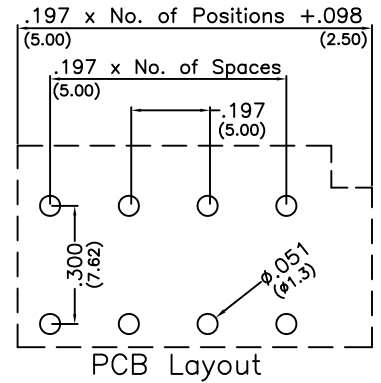
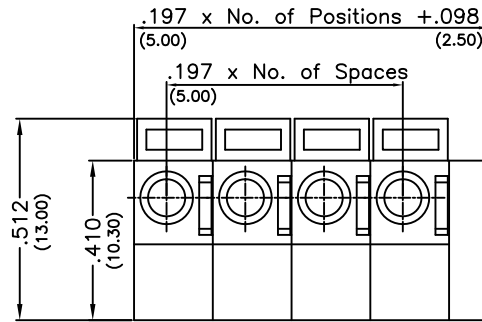


# Major League Electronics .197 cl Screwless Terminal Blocks



## Ordering Information

TBS-01-197-XX-XX-LF

Pitch  
197 = .197 (5.00) cl

No. of Positions  
02 - 12

Color

GR = Green (Standard)

BK = Black

BL = Blue

WH = White

GY = Grey

OR = Orange

YW = Yellow

RD = Red

BR = Brown

Lead Free

## Specifications

Current Rating: 10 Ampere

Voltage Rating: AC 300V

Wire Range: 14-22 AWG

Dielectric Withstanding Voltage: AC 2500V/1 minute

Insulation Resistance: DC 500V 1000MΩ

Operating Temperature: -33°C to + 105°C

Strip Length: .354-.394 (9-10mm)

## Materials

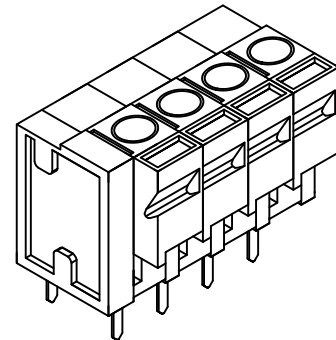
1. Body: PA66 (Nylon), UL94 V-0

2. Lever: PA66 (Nylon), UL94 V-0

3. Side Lid: PA66 (Nylon), UL94 V-0

4. Terminal: Brass, Tin Plated

5. Contact: SUS301 Stainless Steel



Parts are subject to change without notice

TBS-01-197-XX-XX-LF

.197cl Screwless Terminal Block  
Interlock

20 NOV 08

Scale  
NTS

UNLESS OTHERWISE SPECIFIED  
DIMENSIONS IN INCHES (MM)  
TOLERANCES IN INCHES:

ONE DECIMAL PLACE ±0.30  
TWO DECIMAL PLACE ±0.20  
THREE DECIMAL PLACE ±0.15  
FOUR DECIMAL PLACE ±0.10



4235 Earnings Way, New Albany, Indiana, 47150, USA

1-800-782-3486 (USA/Canada/Mexico)

Tel: 812-944-7244

Fax: 812-944-7268

E-mail: mle@mlelectronics.com

Web: www.mlelectronics.com


Revision  
B

Sheet  
1/2

# Revisions

Revision B - (22nd Mar 2010)

Side view added, PCB layout amended

<p>UNLESS OTHERWISE SPECIFIED DIMENSIONS IN INCHES (MM) TOLERANCES IN INCHES:</p> <p>ONE DECIMAL PLACE ±0.30 TWO DECIMAL PLACE ±0.20 THREE DECIMAL PLACE ±0.15 FOUR DECIMAL PLACE ±0.10</p>	<p>TBS-01-197-XX-XX-LF</p> 	<p>.197cl Screwless Terminal Block Interlock</p> <p>4235 Earnings Way, New Albany, Indiana, 47150, USA 1-800-782-3486 (USA/Canada/Mexico) Tel: 812-944-7244 Fax: 812-944-7268 E-mail: mle@mlelectronics.com Web: www.mlelectronics.com</p>	<p>20 NOV 08</p> <p>Scale NTS</p> <p>Revision B</p> <p>Sheet 2/2</p>
---	--	--	--