

OTC-236

THERMOPILE INFRARED SENSOR

■ Features

The thermopile sensor consists of a series of 44 thermoelements, forming a sensitive area of $0.5 \times 0.5 \text{ mm}^2$. The sensor is hermetically sealed into a TO-5 metal housing, with an optical filter. This standard filter allows measurements to be made in the spectral range above $5 \mu\text{m}$ wavelength. The thermosensor exhibits an almost white noise, comparable to an ohmic resistance. It has a constant signal versus frequency up to its frequency limit, and is directly proportional to incident radiation.

■ Applications

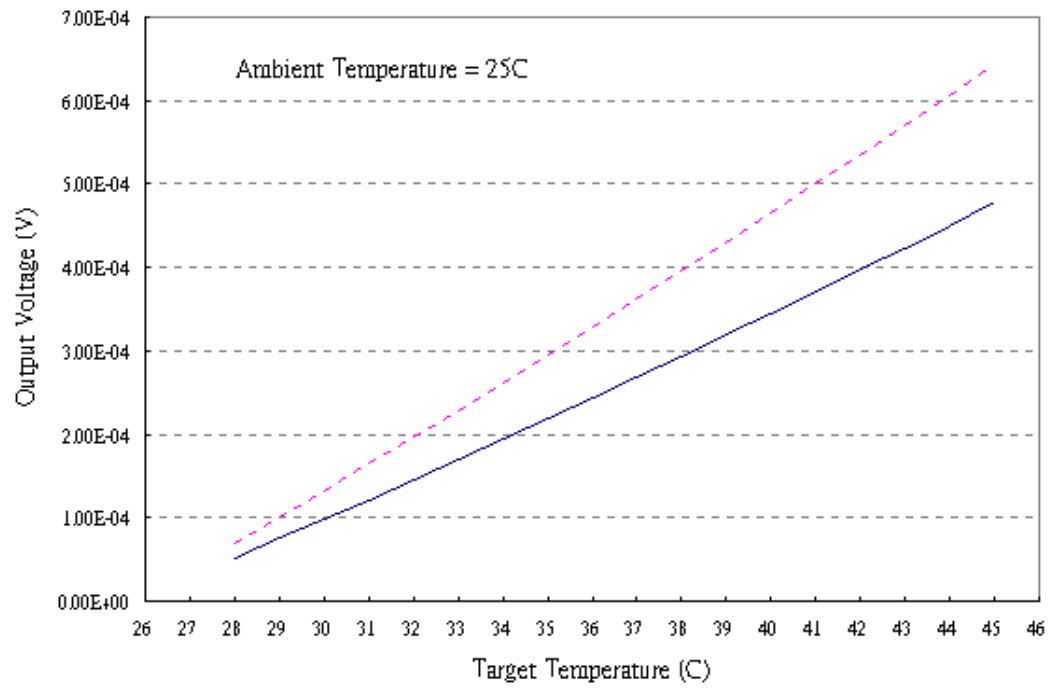
- * Ear thermometers; clinic thermometers
- * Infrared thermometers
- * Consumer applications: hair dryer, micro-wave oven, air conditioner, refrigerator
- * Continuous temperature control of manufacturing
- * Security system
- * Radiation monitor switch system
- * Absorbing measurement for gas analysis
- * Thermoelectric converter
- * Heat flux flowmeter

■ Electrical Characteristics

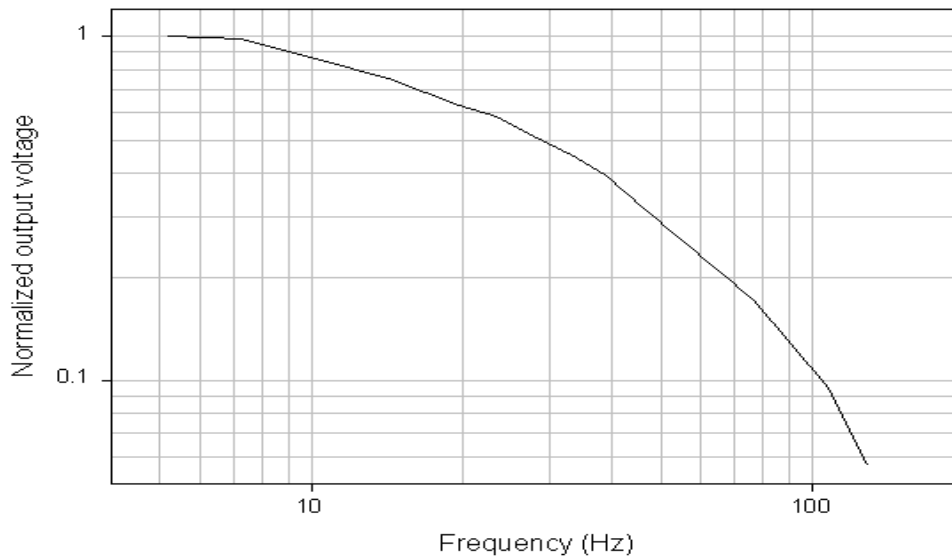
Parameter	Condition	Min.	Typ.	Max.	Unit
Thermopile					
Number of thermojunctions		---	44	---	
Chip size		---	1920*1725	---	μm^2
Active area	Interference layer	---	500*500	---	μm^2
Thickness of substrate	Silicon-substrate	600	625	650	μm
Resistance of thermopile	25 °C	60	70	80	KOhm
Sensitivity	With 5-14 μm filter	40	55	70	V/W
Detecctivity		$4*10^7$	$7*10^7$	$9*10^7$	$\text{cm}*\text{Hz}^{1/2}/\text{W}$
Time constant		---	30	---	Ms
Noise voltage		---	34	---	$\text{nV}/\text{Hz}^{1/2}$
NEP		---	0.8	---	$\text{nW}/\text{Hz}^{1/2}$
Temperature range	Operation	-20	---	100	°C

Measured at 1 Hz chopper frequency, within spectral range 5-14 μm , using a blackbody radiator of 500K temperature.

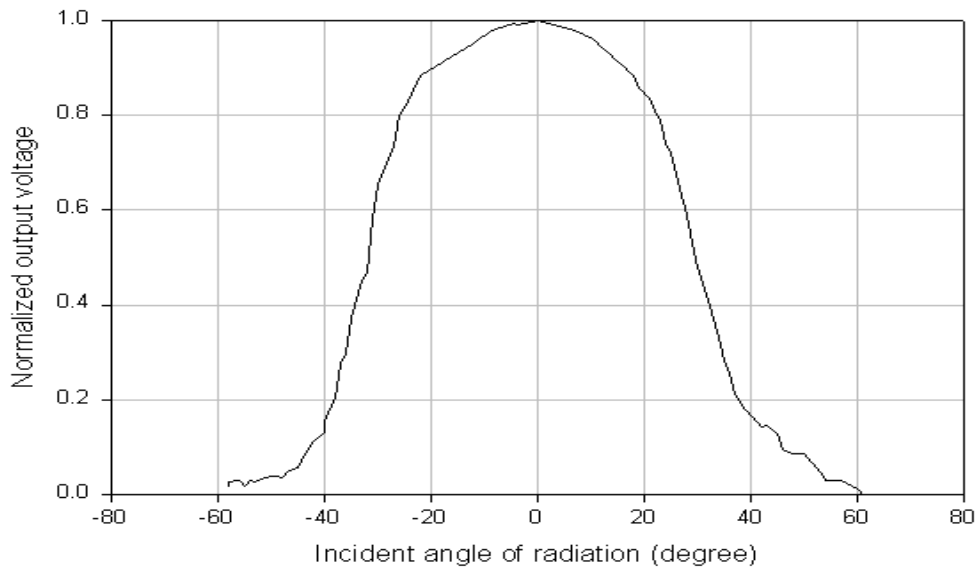
Thermopile voltage vs. blackbody temperature



Frequency response

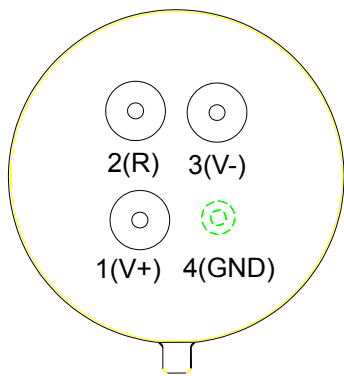


Field of view

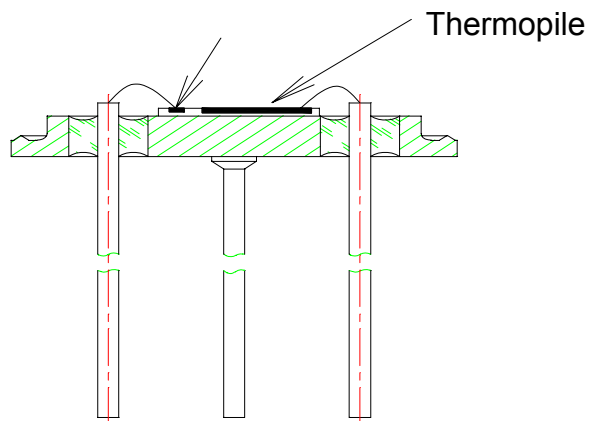


Pin assignment & description

- 1 thermopile output pin (+)
- 3 thermopile output pin (-)



BACKSIDE VIEW



SIDE VIEW

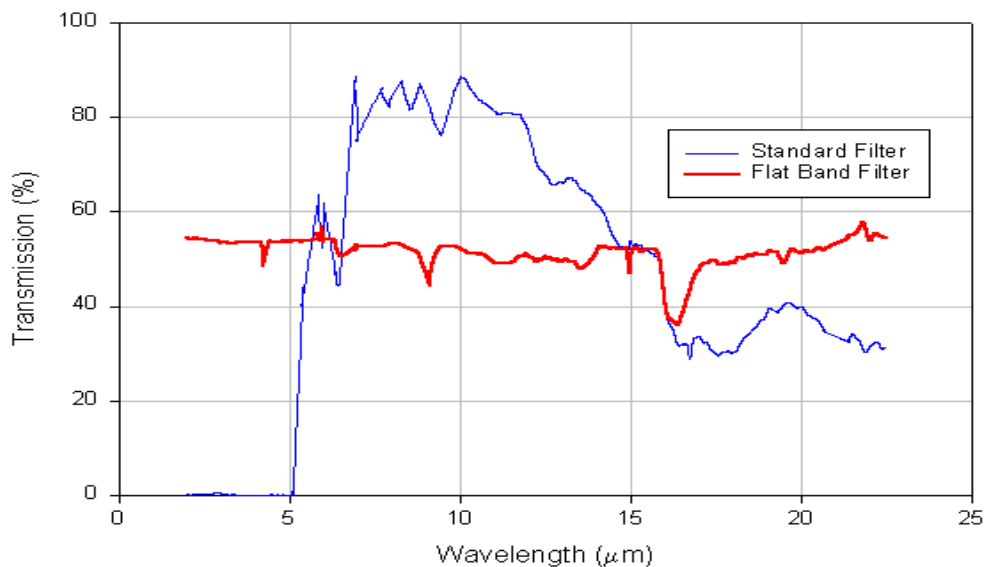
Order information : OTC-236-AB

- A : 1 : standard filter (5-14 μm)
 - 2 : silicon filter with flat band transmission

- B : 1 : window size = 2.57mm (diameter)
 - 2 : window size = 3.80mm (diameter)

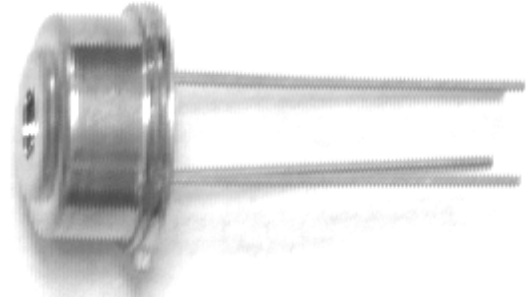
Transmission of filter

Transmission of optical filter is measured by FTIR from 2 μm

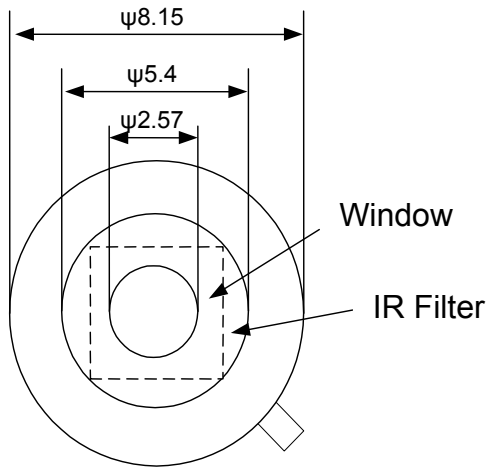


Package

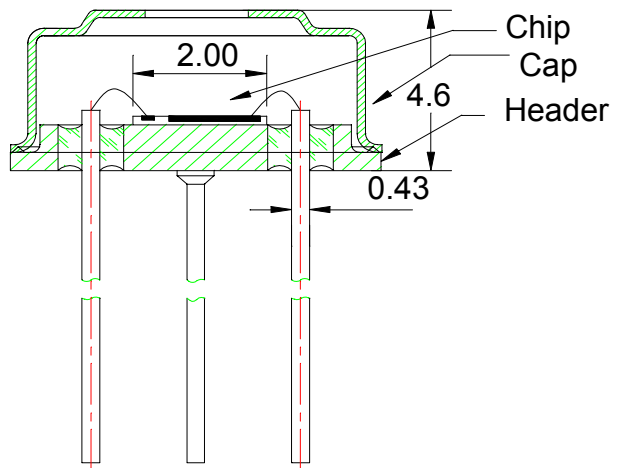
The sensor is hermetically sealed into a TO-5 metal housing, with an optical filter. This standard filter allows measurements to be made in the spectral range above 5 μm wavelength. The dimensions of header and cap are shown below.



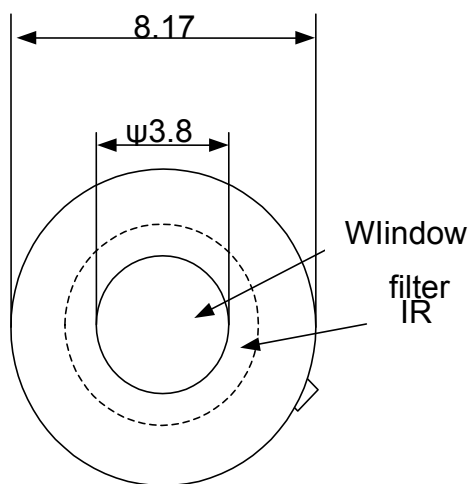
OTC-236-11



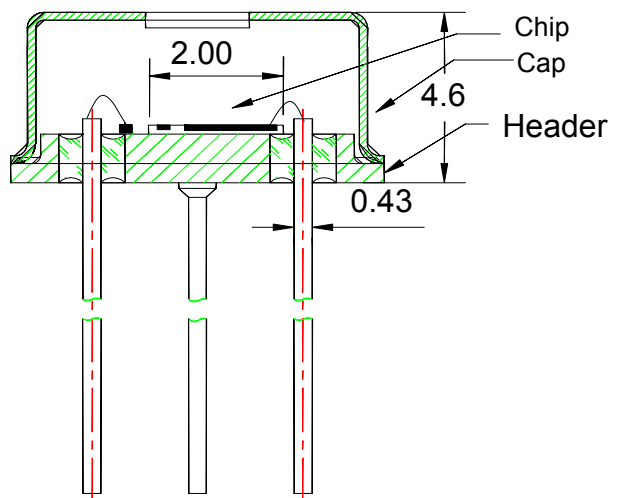
Unit: mm



OTC-236-12

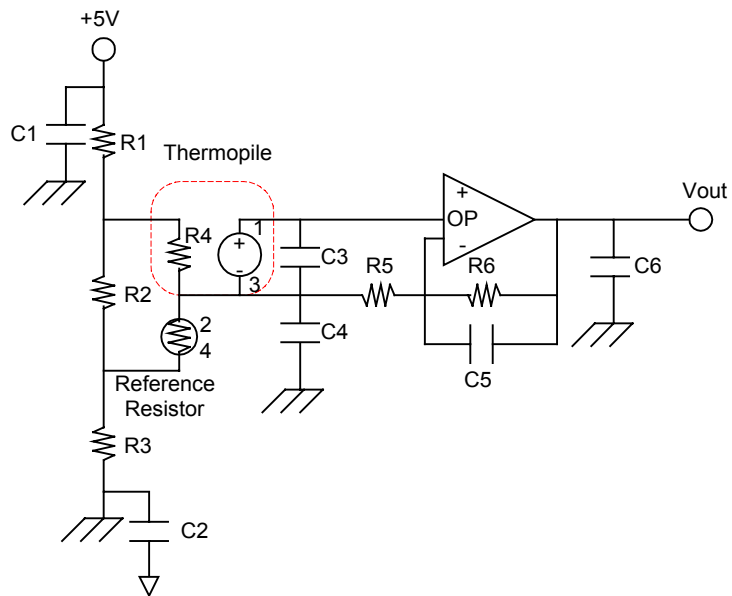


Unit: mm



 **Application circuit**

Circuit 1 :



Circuit 2 :

