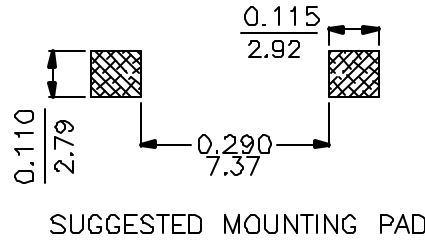
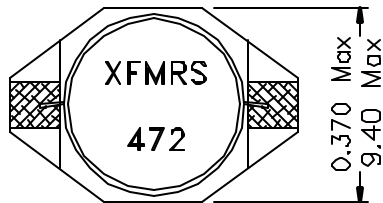
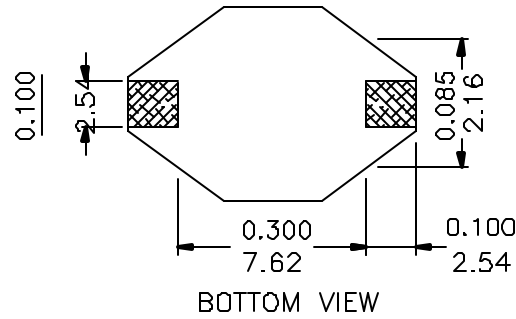
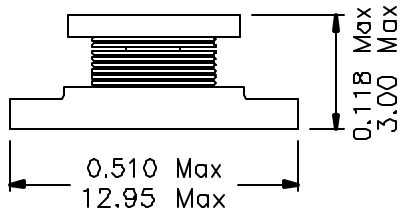
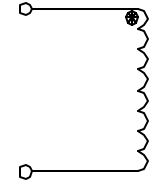


### 1. Mechanical Dimensions:



### 2. Schematic:



### 3. Electrical Specifications:

OCL: 4.7 $\mu$ H  $\pm$ 20% @100KHz 100mV  
 Isat: 1.5A<sub>dc</sub> with 10% reduction in L  
 Irms: 1.5A<sub>dc</sub> 15°C Rise  
 DCR: 0.090 Ohms Max.

DOC. REV A/1

THIS DOCUMENT IS STRICTLY NOT ALLOWED TO BE DUPLICATED WITHOUT AUTHORIZATION

<b>XFMR5 Inc</b> UNLESS OTHERWISE SPECIFIED TOLERANCES: .xxx $\pm$ 0.010 Dimensions in Inch/mm		Title: XF3308P SERIES INDUCTORS	
		P/N: XF3308P-472	REV. A
DWN.	康玉坤	May-20-00	
CHK.	李清儿	May-20-00	
APP.	Joe Huff	May-20-00	

SHT 1 OF 1