

Data Sheet

Description/Applications

These ultra-miniature products represent the blending of Broadcom’s proven semiconductor and the latest in leadless packaging technology.

The HMPP-389x series is optimized for switching applications where low resistance at low current and low capacitance are required. The MiniPak package offers reduced parasitics when compared to conventional leaded diodes, and lower thermal resistance.

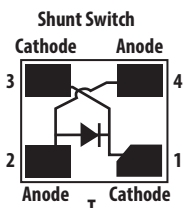
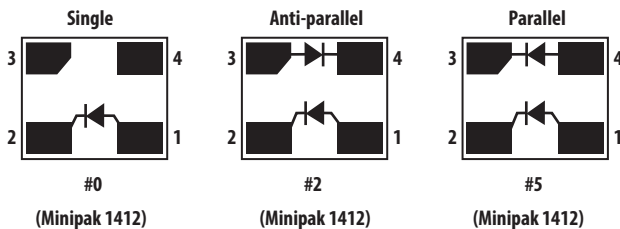
Low junction capacitance of the PIN diode chip, combined with ultra low package parasitics, means that these products can be used at frequencies that are higher than the upper limit for conventional PIN diodes.

Note that Broadcom’s manufacturing techniques assure that dice packaged in pairs are taken from adjacent sites on the wafer, ensuring the highest degree of match.

The HMPP-389T low inductance wide band shunt switch is well suited for applications up to 6 GHz.

Minipak 1412 is a ceramic based package, while Minipak QFN is a lead frame based package.

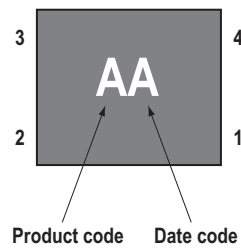
Package Lead Code Identification (Top View)



Features

- Surface mount MiniPak package
- Better thermal conductivity for higher power dissipation
- Single and dual versions
- Matched diodes for consistent performance
- Low capacitance
- Low resistance at low current
- Low FIT (Failure in Time) rate¹
- Six-sigma quality level

Pin Connections and Package Marking



Note: Package marking provides orientation and identification. See Electrical Specifications for appropriate package marking.

1. For more information, see the Surface Mount Schottky Reliability Data Sheet.

HMPP-389x Series Absolute Maximum Ratings, $T_C = 25^\circ\text{C}$

Operation in excess of any one of these conditions may result in permanent damage to the device.

Parameter	Symbol	MiniPak 1412/ MiniPak QFN	Unit
Forward Current (1- μs pulse)	I_f	1	A
Peak Inverse Voltage	P_{IV}	100	V
Junction Temperature	T_j	150	$^\circ\text{C}$
Storage Temperature	T_{stg}	-65 to +150	$^\circ\text{C}$
Thermal Resistance ^a	θ_{jc}	150	$^\circ\text{C}/\text{W}$

a. $T_C = +25^\circ\text{C}$, where T_C is defined to be the temperature at the package pins where contact is made to the circuit board.

CAUTION Handling precautions should be taken to avoid static discharge.

MiniPak1412 Electrical Specifications, $T_C = +25^\circ\text{C}$, Each Diode

Part Number HMPP-	Package Marking Code	Lead Code	Configuration	Minimum Breakdown Voltage (V)	Maximum Series Resistance (Ω)	Maximum Total Capacitance (pF)
3890	D	0	Single	100	2.5	0.30
3892	C	2	Anti-parallel			
3895	B	5	Parallel			
389T	T	T	Shunt Switch			
Test Conditions				$V_R = V_{BR}$ Measure $I_R \leq 10 \mu\text{A}$	$I_F = 10 \text{ mA}$ $f = 100 \text{ MHz}$	$V_R = 5\text{V}$ $f = 1 \text{ MHz}$

MiniPak1412 Typical Parameters, $T_C = +25^\circ\text{C}$

Part Number HMPP-	Series Resistance R_S (Ω)	Carrier Lifetime τ (ns)	Total Capacitance C_T (pF)
389x	3.8	200	0.20 at 5V
Test Conditions	$I_F = 1 \text{ mA}$ $f = 100 \text{ MHz}$	$I_F = 10 \text{ mA}$ $I_R = 6 \text{ mA}$	

MiniPak 1412 HMPP-389x Series Typical Performance

$T_C = +25^\circ\text{C}$ (unless otherwise noted), each diode.

Figure 1 Total RF Resistance at 25°C vs. Forward Bias Current

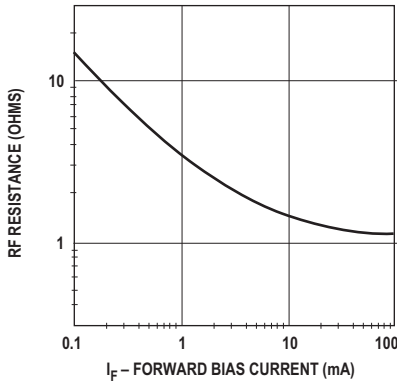


Figure 2 Capacitance vs. Reverse Voltage

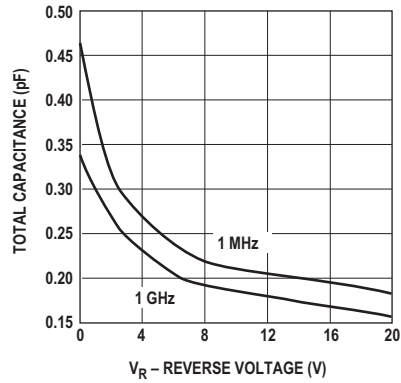


Figure 3 Second Harmonic Input Intercept Point vs. Forward Bias Current

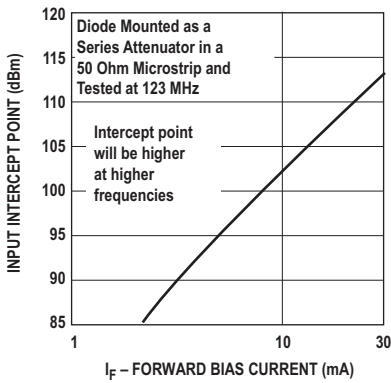


Figure 4 Typical Reverse Recovery Time vs. Reverse Voltage

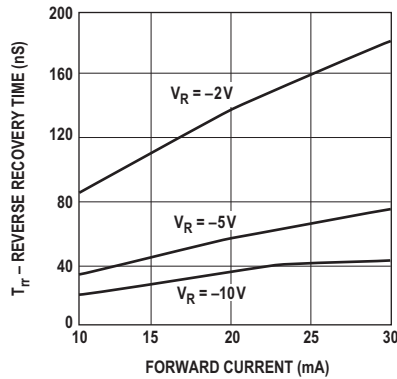
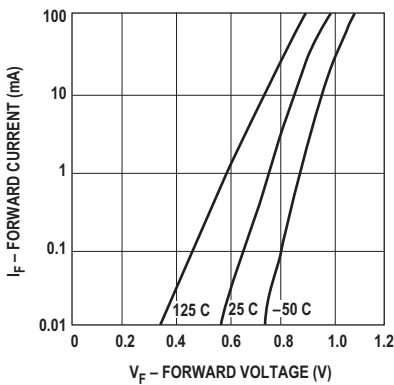


Figure 5 Forward Current vs. Forward Voltage



Typical Applications

Figure 6 Simple SPDT Switch Using Only Positive Bias

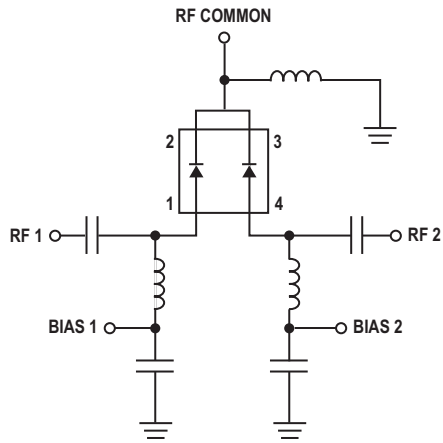


Figure 7 High Isolation SPDT Switch Using Dual Bias

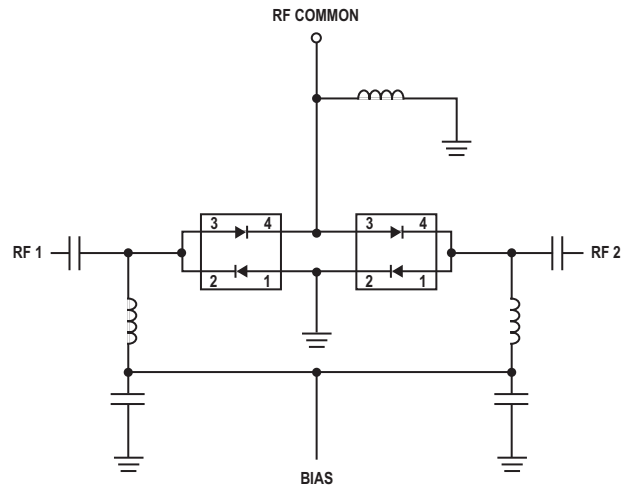


Figure 8 Very High Isolation SPDT Switch, Dual Bias

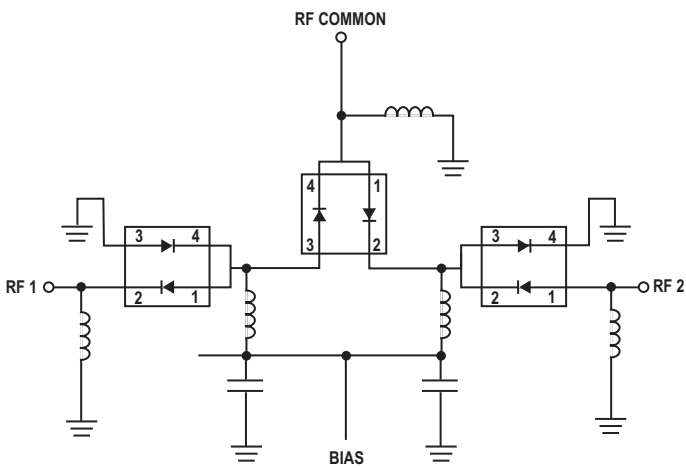
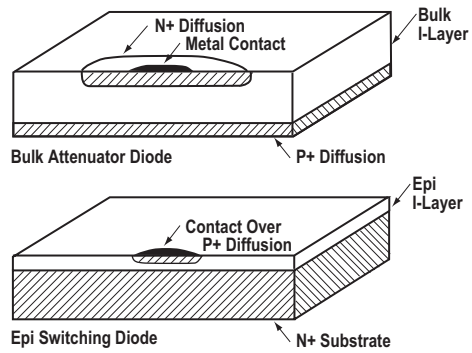


Figure 9 PIN Diode Construction



Application Information

PIN Diodes

In RF and microwave networks, mechanical switches and attenuators are bulky, often unreliable, and difficult to manufacture. Switch ICs, while convenient to use and low in cost in small quantities, suffer from poor distortion performance and are not as cost effective as PIN diode switches and attenuators in very large quantities. For over 30 years, designers have looked to the PIN diode for high performance/low cost solutions to their switching and level control needs.

In the RF and microwave ranges, the switch serves the simple purpose that is implied by its name; it operates between one of two modes, ON or OFF. In the ON state, the switch is designed to have the least possible loss. In the OFF state, the switch must exhibit a very high loss (isolation) to the input signal, typically from 20 dB to 60 dB. The attenuator, however, serves a more complex function. It provides for the *soft* or controlled variation in the power level of a RF or microwave signal. At the same time as it attenuates the input signal to some predetermined value, it must also present a matched input impedance (low VSWR) to the source. Every microwave network that uses PIN diodes (phase shifter, modulator, etc.) is a variation on one of these two basic circuits.

You can see that the switch and the attenuator are quite different in their function, and therefore often require different characteristics in their PIN diodes. These properties are easily controlled through the way in which a PIN diode is fabricated. See [Figure 14](#).

Diode Construction

At Broadcom, two basic methods of diode fabrication are used. In the case of bulk diodes, a wafer of very pure (intrinsic) silicon is heavily doped on the top and bottom faces to form P and N regions. The result is a diode with a very thick, very pure I region. The epitaxial layer (or EPI) diode starts as a wafer of heavily doped silicon (the P or N layer), onto which a thin I layer is grown. After the epitaxial growth, diffusion is used to add a heavily doped (N or P) layer on the top of the epi, creating a diode with a very thin I layer populated by a relatively large number of imperfections.

These two different methods of design result in two classes of diode with distinctly different characteristics, as shown in [Table 1](#).

Table 1 Bulk and EPI Diode Characteristics

Characteristic	EPI Diode	Bulk Diode
Lifetime	Short	Long
Distortion	High	Low
Current Required	Low	High
I Region Thickness	Very Thin	Thick

As discussed in the following paragraphs, the bulk diode is almost always used for attenuator applications and sometimes as a switch, while the epi diode (such as the HMPP-3890) is generally used as a switching element.

Diode Lifetime and Its Implications

The resistance of a PIN diode is controlled by the conductivity (or resistivity) of the I layer. This conductivity is controlled by the density of the cloud of carriers (charges) in the I layer (which is, in turn, controlled by the DC bias). Minority carrier lifetime, indicated by the Greek symbol τ , is a measure of the time it takes for the charge stored in the I layer to decay, when forward bias is replaced with reverse bias, to some predetermined value. This lifetime can be short (35 ns to 200 ns for epitaxial diodes) or it can be relatively long (400 ns to 3000 ns for bulk diodes). Lifetime has a strong influence over a number of PIN diode parameters, among which are distortion and basic diode behavior.

To study the effect of lifetime on diode behavior, we first define a cutoff frequency $f_c = 1/\tau$. For short lifetime diodes, this cutoff frequency can be as high as 30 MHz while, for our longer lifetime diodes, $f_c \cong 400$ kHz. At frequencies that are ten times f_c (or more), a PIN diode does indeed act like a current controlled variable resistor. At frequencies that are one tenth (or less) of f_c , a PIN diode acts like an ordinary PN junction diode. Finally, at $0.1 f_c \leq f \leq 10 f_c$, the behavior of the diode is very complex. Suffice it to mention that in this frequency range, the diode can exhibit very strong capacitive or inductive reactance—it will not behave at all like a resistor. However, at zero bias or under heavy forward bias, all PIN diodes demonstrate very high or very low impedance (respectively) no matter what their lifetime is.

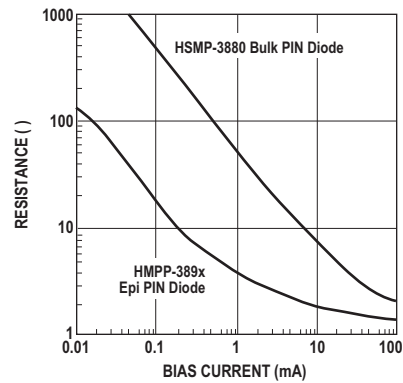
Diode Resistance vs. Forward Bias

In [Figure 15](#), note that the typical curves for resistance vs. forward current for bulk and epi diodes are very different. Of course, these curves apply only at frequencies $> 10 f_c$. You can see that the curve of resistance vs. bias current for the bulk diode is much higher than that for the epi (switching) diode. Thus, for a given current and junction capacitance, the epi

diode will always have a lower resistance than the bulk diode. The thin epi diode, with its physically small I region, can easily be saturated (taken to the point of minimum resistance) with very little current compared to the much larger bulk diode. While an epi diode is well saturated at currents around 10 mA, the bulk diode may require upwards of 100 mA or more. Moreover, epi diodes can achieve reasonable values of resistance at currents of 1 mA or less, making them ideal for battery-operated applications. Having compared the two basic types of PIN diode, we will now focus on the HMPP-3890 epi diode.

Given a thin epitaxial I region, the diode designer can trade off the device's total resistance ($R_S + R_j$) and junction capacitance (C_j) by varying the diameter of the contact and I region. The HMPP3890 was designed with the 930 MHz cellular and RFID, the 1.8 GHz PCS and 2.45 GHz RFID markets in mind. Combining the low resistance shown in [Figure 15](#) with a typical total capacitance of 0.27 pF, it forms the basis for high-performance, low-cost switching networks.

Figure 10 Resistance vs. Forward Bias

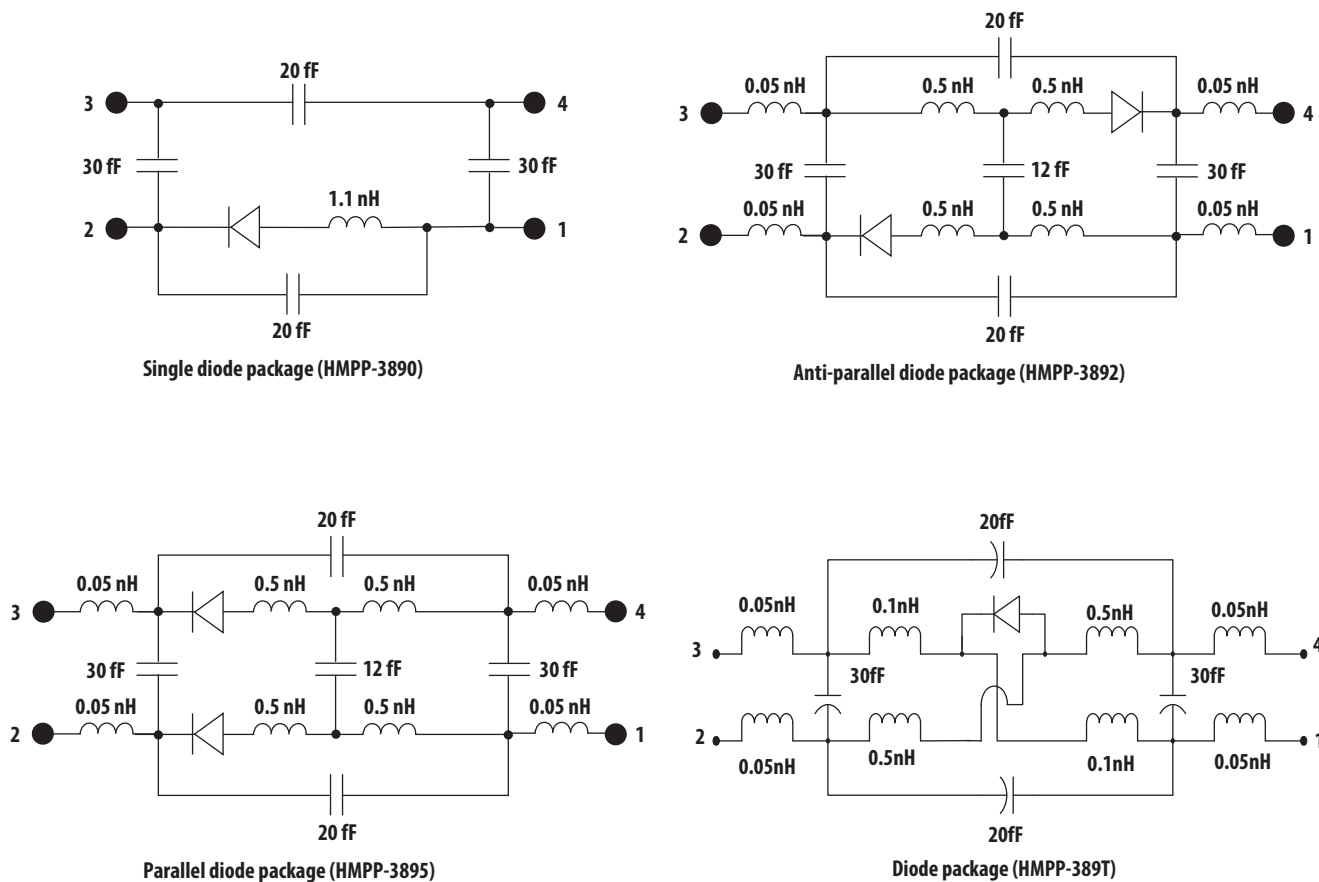


Linear Equivalent Circuit

To predict the performance of the HMPP-3890 as a switch, it is necessary to construct a model that can then be used in one of the several linear analysis programs presently on the market. Such a model is given in Figure 11, where $R_s + R_j$ is given in Figure 1 and C_j is provided in Figure 2. Careful examination of Figure 11 reveals the fact that the package parasitics (inductance and capacitance) are much lower for the MiniPak than they are for leaded plastic packages such as the SOT-23, SOT-323 or others. This permits the HMPP-389x family to be used at higher frequencies than its conventional leaded counterparts.

APLAC parameter can be obtained at <http://www.hp.woodshot.com/hprfhelpp/design/SPICE/pins.htm#HSMP389x>.

Figure 11 Linear Equivalent Circuit of the MiniPak 1412 PIN Diode



Testing the HMPP-389T on the Demo Board

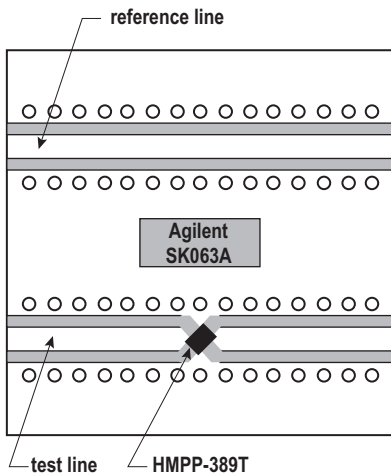
Introduction

The HMPP-389T PIN diode is a high frequency shunt switch. It has been designed as a smaller and higher performance version of the HSMP-389T (SC-70 package).

The DEMO-HMPP-389T demo board allows customers to evaluate the performance of the HMPP389T without having to fabricate their own PCB. Since a shunt switch’s isolation is limited primarily by its parasitic inductance, the product’s true potential cannot be shown if a conventional microstrip PCB is used. In order to overcome this problem, a coplanar waveguide over ground-plane structure is used for the demo board. The bottom ground plane is connected to the upper ground traces using multiple via holes.

A 50Ω reference line is provided at the top to calibrate the board loss. The bottom line allows the HMPP389T diode to be tested as a shunt switch.

Figure 12 Demo Board DEMO-HMPP-389T



Demo-Board Preparation

Since the performance of the shunt switch is ultimately limited by the demo board, a short discussion of the constructional aspects is beneficial. Edge-mounted SMA connectors (Johnson #142-0701-881) were mounted on both the reference and test lines. A special mounting technique has been used to minimize reflection at the PCB to connector interface. Prior to mounting, the connector pins were cut down to two pin diameters in length. Subsequently, the connector fingers were soldered to the upper ground plane (Figure 13). Solder was filled between the connector body and fingers on the lower ground plane until the small crescent of exposed teflon was completely covered (Figure 14).

Figure 13 Soldering Details of Connector Fingers to Upper Ground Plane

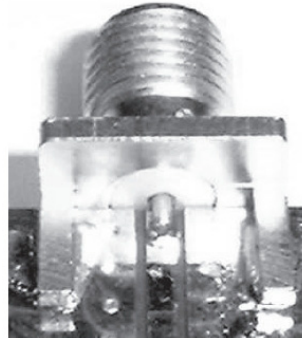
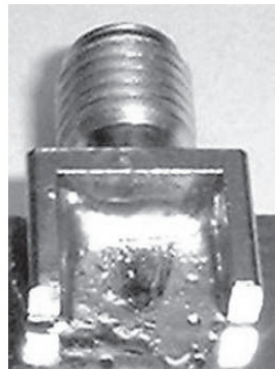


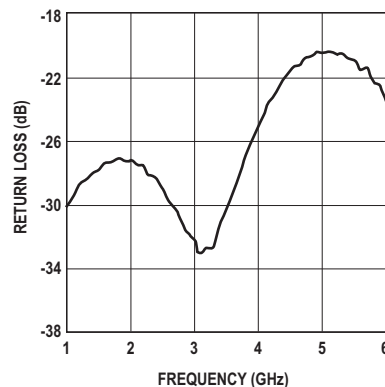
Figure 14 Soldering Details of Connector Fingers to Lower Ground Plane



Test Results

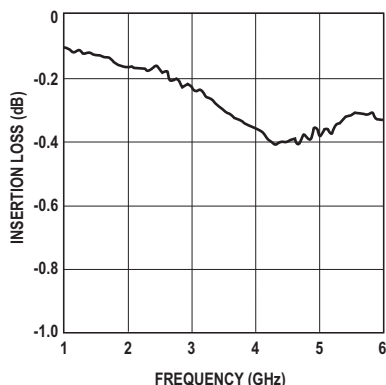
Measurements of the reference line’s return and insertion losses were used to gauge the effectiveness of the VSWR mitigating steps. In our prototype, the worst-case return loss of the reference line was 20 dB at 5 GHz (Figure 15).

Figure 15 Swept Return Loss of Reference Line



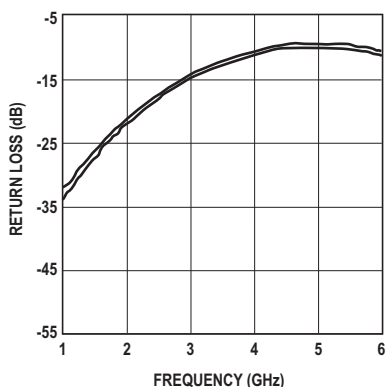
Insertion loss of the reference was very low and generally, increased with frequency (Figure 16). If the demo board has been constructed carefully, there should not be any evidence of resonance. The reference line's insertion loss trace can be stored in the VNA's display memory and used to correct for the insertion loss of the test line in the subsequent measurements.

Figure 16 Insertion Loss of Reference Line



To evaluate the HMPP-389T as shunt switch, it was mounted on the test line and then the appropriate biasing voltage was applied. In our prototype, the worst-case return loss was 10 dB at 5 GHz (Figure 17). The return loss varied very little when the bias was changed from zero to -20V.

Figure 17 Return Loss of HMPP-389T Mounted on Test Line at 0V and -20V Bias



Normalization was used to remove the PCB's and connectors' losses from the measurement of the shunt switch's loss. The active trace was divided by the memorized trace (Data/Memory) to produce the normalized data. At zero bias, the insertion loss was under 0.6 dB up to 6 GHz (Figure 18). Applying a reverse bias to the PIN diode has the effect of reducing its parasitic capacitance. With a reverse bias of -20V, the insertion loss improved to better than 0.5 dB (Figure 19).

Figure 18 Insertion Loss of HMPP-389T at 0V

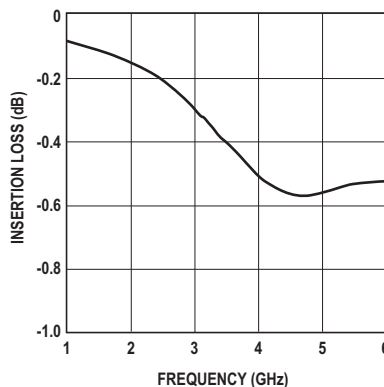
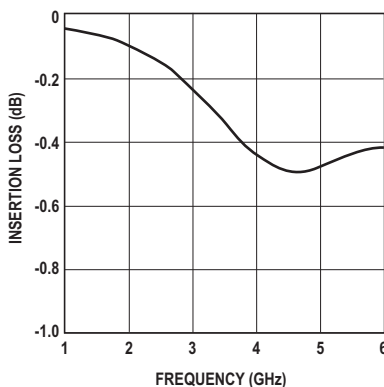
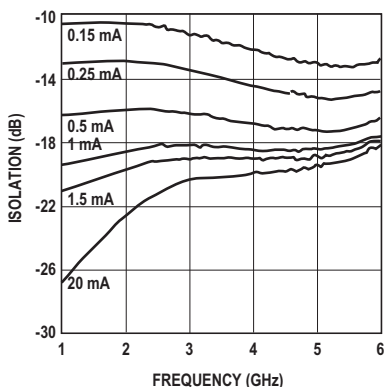


Figure 19 Insertion Loss of HMPP-389T at -20V



The PIN diode's resistance is a function of the bias current. So, at higher forward current, the isolation improved. The combination of the HMPP-389T and the SK063A demo board exhibited more than 17 dB of isolation from 1 GHz to 6 GHz at $I_f \geq 1 \text{ mA}$ (Figure 20).

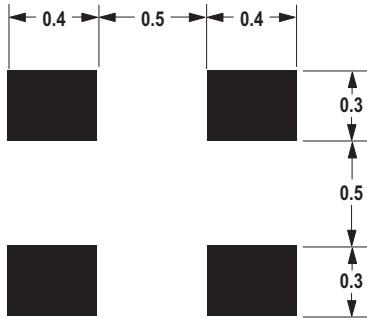
Figure 20 Isolation at Different Frequencies with Forward Current as a Parameter



Assembly Information

The MiniPak diode is mounted to the PCB or microstrip board using the pad pattern shown in [Figure 21](#).

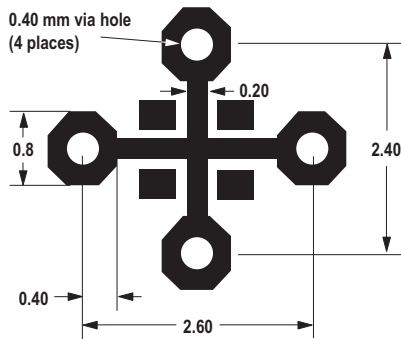
Figure 21 PCB Pad Layout, MiniPak



Note: Dimensions in mm.

This mounting pad pattern is satisfactory for most applications. However, there are applications where a high degree of isolation is required between one diode and the other is required. For such applications, the mounting pad pattern of [Figure 22](#) is recommended.

Figure 22 Very High Isolation SPDT Switch



Note: Dimensions in mm.

This pattern uses four via holes, connecting the crossed ground strip pattern to the ground plane of the board.

SMT Assembly

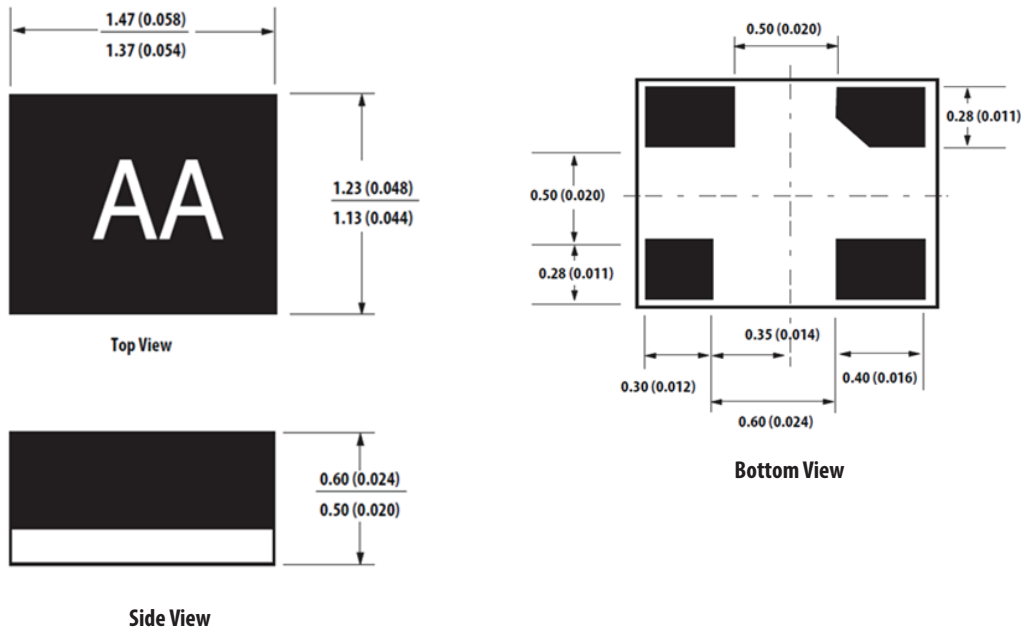
Reliable assembly of surface mount components is a complex process that involves many material, process, and equipment factors, including method of heating (e.g., IR or vapor phase reflow, wave soldering, etc.) circuit board material, conductor thickness and pattern, type of solder alloy, and the thermal conductivity and thermal mass of components. Components with a low mass, such as the MiniPak package, reach solder reflow temperatures faster than those with a greater mass.

After ramping up from room temperature, the circuit board with components attached to it (held in place with solder paste) passes through one or more preheat zones. The preheat zones increase the temperature of the board and components to prevent thermal shock and begin evaporating solvents from the solder paste. The reflow zone briefly elevates the temperature sufficiently to produce a reflow of the solder.

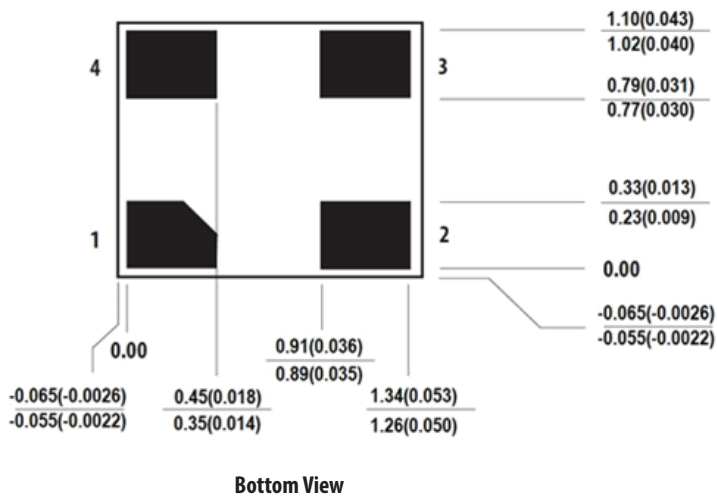
The rates of change of temperature for the ramp-up and cool-down zones are chosen to be low enough to not cause deformation of the board or damage to components due to thermal shock. The maximum temperature in the reflow zone (T_{MAX}) should not exceed 260°C.

These parameters are typical for a surface mount assembly process for Broadcom diodes. As a general guideline, the circuit board and components should be exposed only to the minimum temperatures and times necessary to achieve a uniform reflow of solder.

MiniPak 1412 Outline Drawing for HMPP-3890, -3892, and -3895



MiniPak 1412 Outline Drawing for HMPP-389T

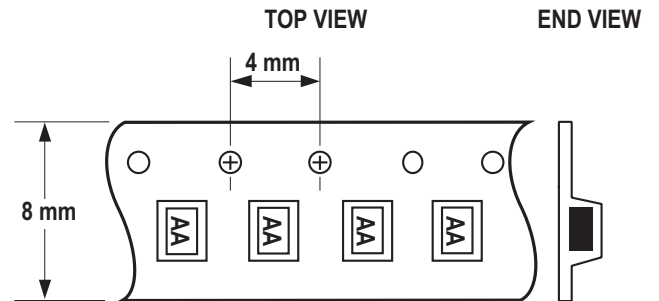
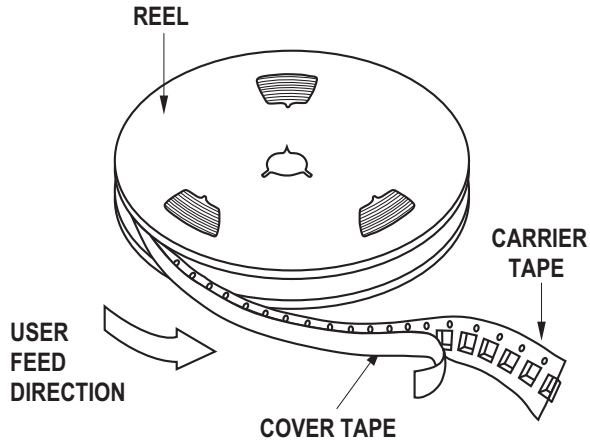


Note: Dimensions are in millimeters (inches).

Ordering Information

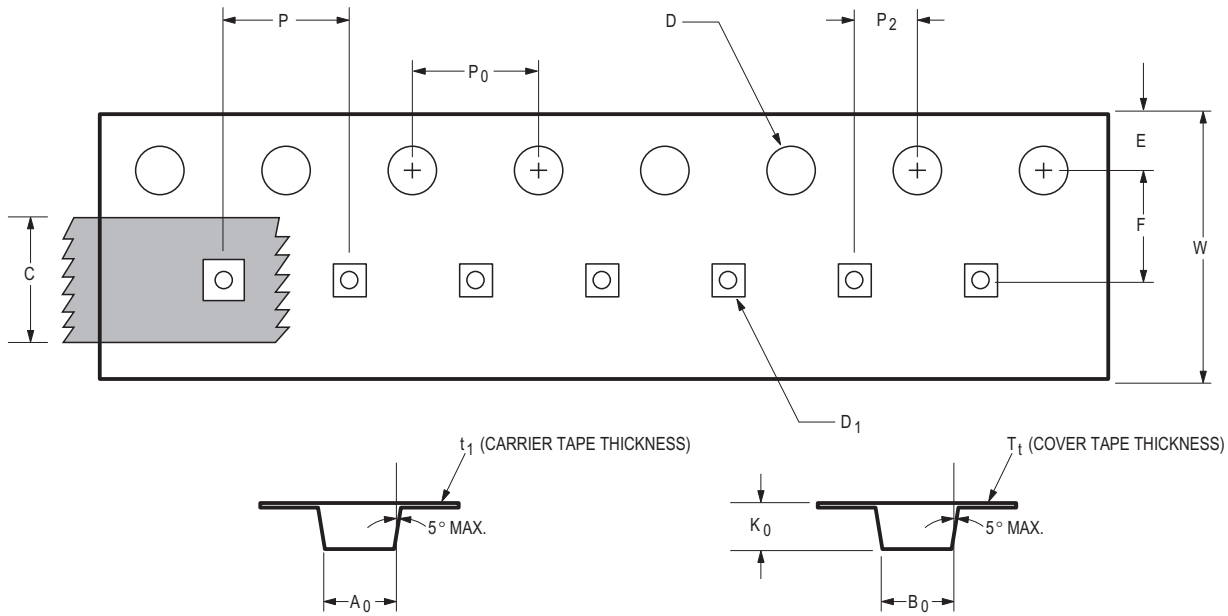
Part Number	Number of Devices	Container
HMPP-389x-TR2	10000	13" Reel
HMPP-389x-TR1	3000	7" Reel
HMPP-389x-BLK	100	Antistatic bag

Device Orientation



Note: "AA" represents package marking code. Package marking is right side up with carrier tape perforations at top. Conforms to Electronic Industries RS-481, "Taping of Surface Mounted Components for Automated Placement." Standard quantity is 3,000 devices per reel.

Tape Dimensions and Product Orientation for Outline 4T (MiniPak 1412)



Description		Symbol	Size (mm)	Size (inches)
Cavity	Length	A_0	1.40 ± 0.05	0.055 ± 0.002
	Width	B_0	1.63 ± 0.05	0.064 ± 0.002
	Depth	K_0	0.80 ± 0.05	0.031 ± 0.002
	Pitch	P	4.00 ± 0.10	0.157 ± 0.004
	Bottom Hole Diameter	D_1	0.80 ± 0.05	0.031 ± 0.002
Perforation	Diameter	D	1.50 ± 0.10	0.060 ± 0.004
	Pitch	P_0	4.00 ± 0.10	0.157 ± 0.004
	Position	E	1.75 ± 0.10	0.069 ± 0.004
Carrier Tape	Width	W	$8.00 + 0.30 - 0.10$	$0.315 + 0.012 - 0.004$
	Thickness	t_1	0.254 ± 0.02	0.010 ± 0.001
Cover Tape	Width	C	5.40 ± 0.10	0.213 ± 0.004
	Tape Thickness	T_t	0.062 ± 0.001	0.002 ± 0.00004
Distance	Cavity to Perforation (Width Direction)	F	3.50 ± 0.05	0.138 ± 0.002
	Cavity to Perforation (Length Direction)	P_2	2.00 ± 0.05	0.079 ± 0.002

For product information and a complete list of distributors, please go to our web site: www.broadcom.com.

Broadcom, the pulse logo, Connecting everything, Avago Technologies, Avago, and the A logo are among the trademarks of Broadcom in the United States, certain other countries and/or the EU.

Copyright © 2005-2017 Broadcom. All Rights Reserved.

The term "Broadcom" refers to Broadcom Limited and/or its subsidiaries. For more information, please visit www.broadcom.com.

Broadcom reserves the right to make changes without further notice to any products or data herein to improve reliability, function, or design.

Information furnished by Broadcom is believed to be accurate and reliable. However, Broadcom does not assume any liability arising out of the application or use of this information, nor the application or use of any product or circuit described herein, neither does it convey any license under its patent rights nor the rights of others.

AV02-0653EN – June 19, 2017

