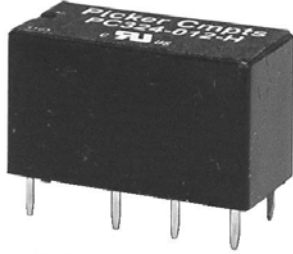


Subminiature PCB Telecom Relay With Bifurcated Contacts **PC324S**



FEATURES

- Subminiature design
- DIL Package for PC board or socket
- Contact capacity from 1 mA to 2 A
- Meets FCC part 68 voltage surge
- Class "B" insulation standard
- Sealed immersion cleanable
- Bifurcated crossbar contacts

File # E86876

CONTACT RATINGS

Contact Form	2 Form C DPDT (crossbar contacts)
Switching Current Range	1 mA to 2 A
Switching Voltage Range	10 mVAC - 250VAC; 10 mVDC - 220 VDC
Max. Continuous Current	2 Amps
Switching Power Range	10 micro W to 60 W / 125 VA
UL Rated Loads	2A / 30 VDC 0.6A / 125 VAC

CONTACT DATA

Material	AgNi + Au (Silver Nickle + Gold Clad) AgRu + Au (Silver Ruthenium + Gold Clad)
Initial Contact Resistance	50 mOhm max @ 1mA, 20mV, 1KHz, meets DIN 4160 part 4
Service Life	Electrical 3 X 10 ⁵ Operations
	Mechanical 1 X 10 ⁸ Operations

COIL DATA

Type	Coil Voltage	Resistance Ohms ± 10%	Must Operate Voltage Max. (VDC)	Allowable Operating Voltage Range	Hold Voltage	Must Release Voltage
Coil Code A 0.56 W TO 0.59 W	3	16	2.1	2.1 - 7.0	1.0	0.3
	5	45	3.5	3.5 - 7.8	1.25	0.5
	6	66	4.2	4.2 - 9.7	1.5	0.6
	9	140	6.3	6.3 - 14.5	2.25	0.9
	12	280	8.4	8.4 - 19.4	3	1.2
	24	1070	16.8	16.8 - 37.6	6	2.4
Coil Code B 0.40 W	48	3900	33.6	33.6 - 74.2	12	4.8
	3	22.5	2.1	2.1 - 7.0	1.0	0.3
	5	62.5	3.5	3.5 - 7.8	1.25	0.5
	6	90	4.2	4.2 - 9.7	1.5	0.6
	9	203	6.3	6.3 - 14.5	2.25	0.9
	12	360	8.4	8.4 - 19.4	3	1.2
	24	1440	16.8	16.8 - 37.6	6	2.4
	48	5760	33.6	33.6 - 74.2	12	4.8

Note: Custom coil voltages within the ranges shown are available on special order.

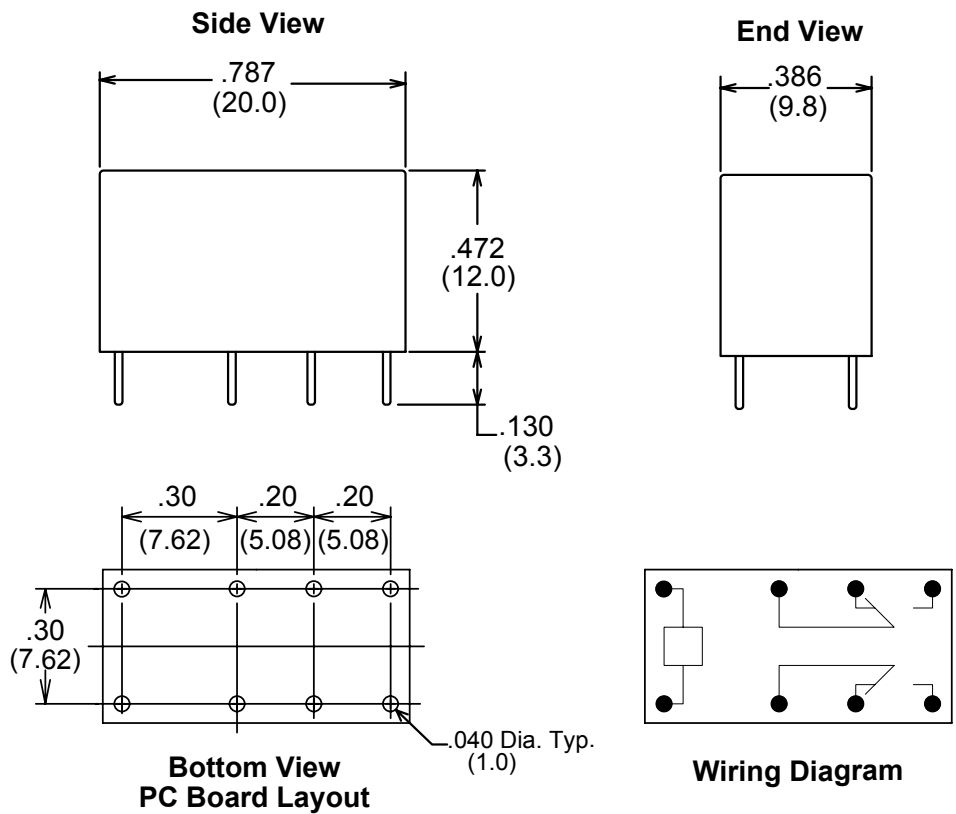
ORDERING INFORMATION

Example:	PC324S	-12	R	A
Model				
Coil Voltage				
Contact Material				
Nil: AgNi + Au; P: AgRu + Au				
Sensitivity				
A: 0.56 W; B: 0.40 W				

CHARACTERISTICS

Operate Time	5 ms. max.
Operate Bounce	1 ms. typical
Release Time	3 ms. max.
Release Bounce	2.5 ms. typical
Insulation Resistance	1000 Megohms min. at 500 VDC, 50% RH
Dielectric Strength	1000 V rms, 1 min. between coil and contacts and between adjacent parts 1000 V rms, 1 min. between open contacts
Surge Strength	1500 V, between coil and contacts (FCC Part 68)
Capacitance	0.7 pf max. between contacts; 0.9 pf max. between adjacent poles; 1.0 pf max. between coil and contacts
Shock Resistance	50 g, 11 ms.
Vibration Resistance	10 g, 10 - 70 Hz
Allowable Max. Power Consumption at 20 C	1.02 W
Ambient Temperature	-40 degrees C to 65 degrees C (-40 degrees C to 70 degreeec C for 0.4 w coil)
Power Consumption	0.40 W to .59 W
Weight	4.5 grams approx.

**Dimensions in Inches (millimeters)
Drawings are 2X actual size**



Notes:

Tolerances ± .010 unless otherwise noted



3220 Commander Drive, Suite 102, Carrollton, Texas 75006
 Sales: (888)997-3933 Fax: (818) 342-5296 email: sales@pickercomponents.com URL: pickercomponents.com