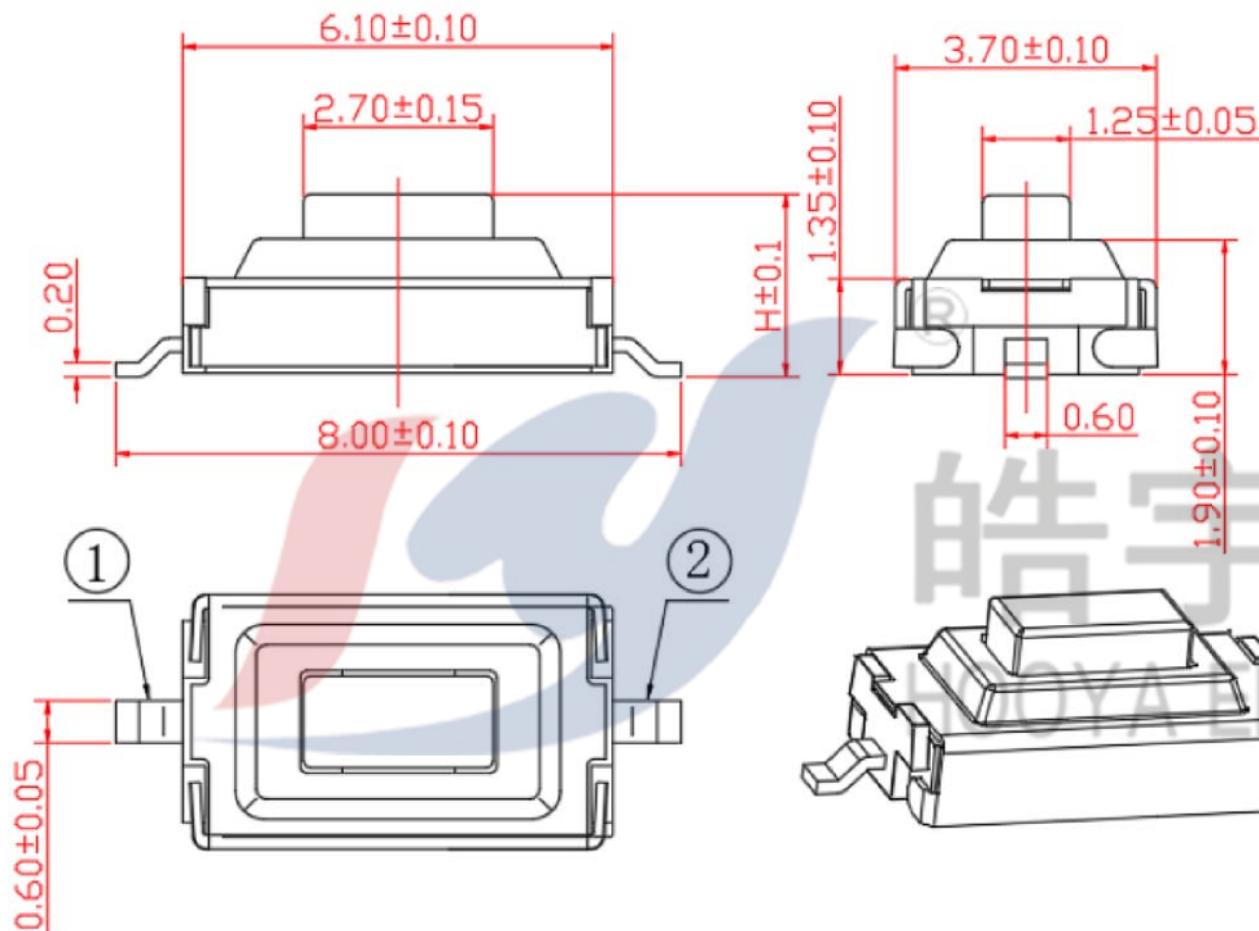
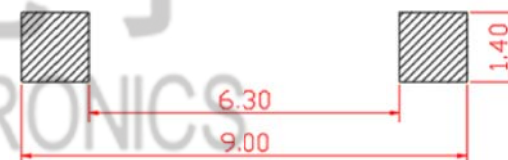


电路图



H
2.5
2.7



PCB. 焊接图

					TOLERANCE							
					UNLESS SPECIFIED		A2	2021.6.16	更新图纸		WM	
					UP TO 5mm: ±0.1	ANGULAR	A1	2019.6.13	更新图纸		XYZ	
					ABOVE 5mm: ±0.2	±1°	NO	DATE	REVISIONS		BY	APPD
5	SPRING	SUS	2	Ag-Plated	TITLE: TACT SWITCH			UNIT : MM	ROHS	DWN		
4	CONTACT FOOT	BRASS	2	Ag-Plated	MODEL: TS-1107-025E-W			SCALE: 1:1	COMPLIANT	CHK'D		
3	COAT	SUS	1	Ni-Plated	<b>HAOYU(HONGKONG)LIMITED</b> 皓宇(香港)有限公司					APPD		
2	BUTTON	PA66	1									
1	HOUSING	PA6T	1									
NO.	PART NAME	MATERIAL	QTY	FINISHING						PRO.AGL:		REV :A2