

Signal Common Mode Chokes



ACMS-1065 Series

Request Samples



Check Inventory



10 x 8.7 x 6.5mm
RoHS/RoHS II Compliant
MSL Level = 1

Features

- Commercial Grade
- PPAP ready and supported
- Excellent impedance characteristics
- Rated current up to 2.5A
- Low DCR

Applications

- Signal line common mode noise suppression.
- Differential signaling lines
- Multimedia devices

Electrical Specifications

Part Number	Inductance (uH)	DCR (mΩ)	Rated Current (A)	Common Impedance (Ω)	Rated Voltage (Vdc)	Leakage Inductance (nH)
	±40%	Max	Typ.	Max	Max	Typ.
ACMS-1065-121	120	25	2.5	460	80	860
ACMS-1065-221	220	32	2.2	780	80	1300
ACMS-1065-251	250	35	2.0	970	80	1500
ACMS-1065-471	470	65	1.6	1750	80	3000
ACMS-1065-102	1000	180	0.95	3600	80	5900
ACMS-1065-222	2200	300	0.75	7500	80	130
ACMS-1065-332	3300	360	0.65	8900	80	130
ACMS-1065-392	3900	540	0.52	9600	80	150
ACMS-1065-472	4700	720	0.35	13000	80	270

Inductance Test Conditions: 100KHz/0.1V

Leakage Inductance Test Conditions: 1MHz/1mA

Rated Current is based on an Irms temperature rise of 40°C

Operating Temperature: -40°C to +125°C (Including self-heating)

Storage (in original packaging): <40°C, <70% RH

ACMS-1065 Series is RoHS Compliant and Pb free

Signal Common Mode Chokes



ACMS-1065 Series

Request Samples

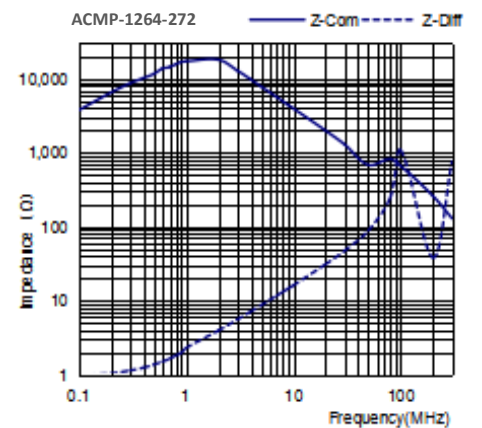
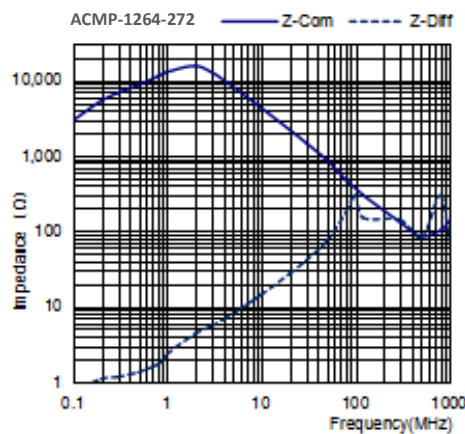
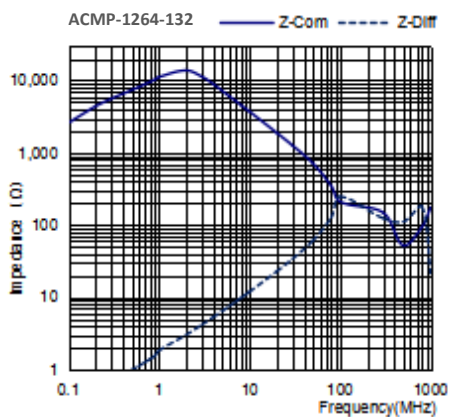
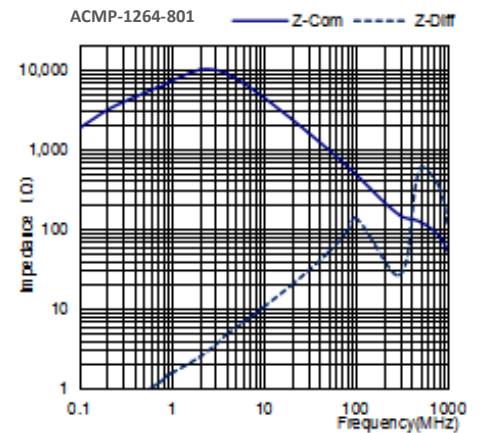
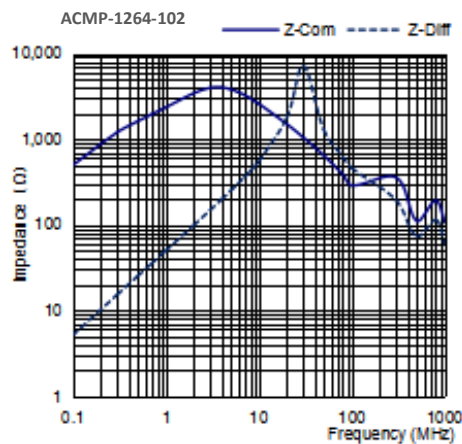
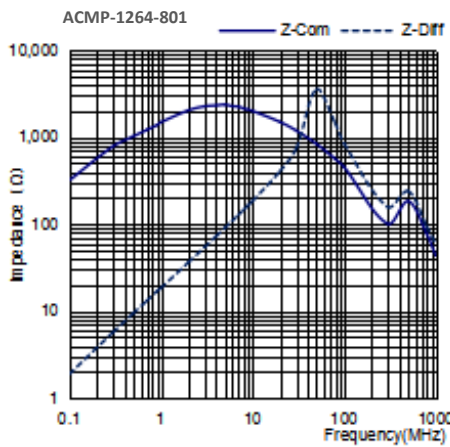
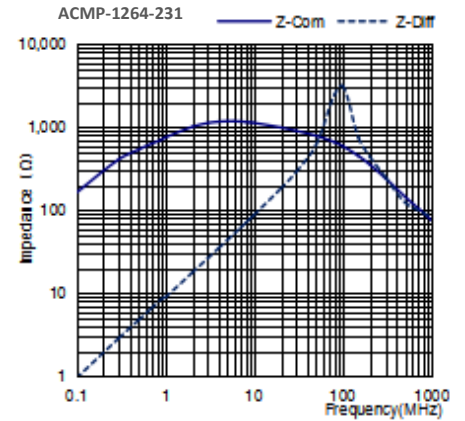
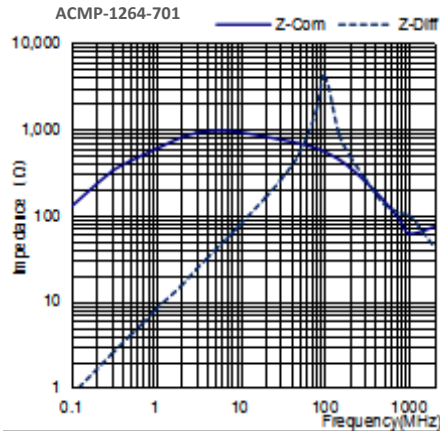
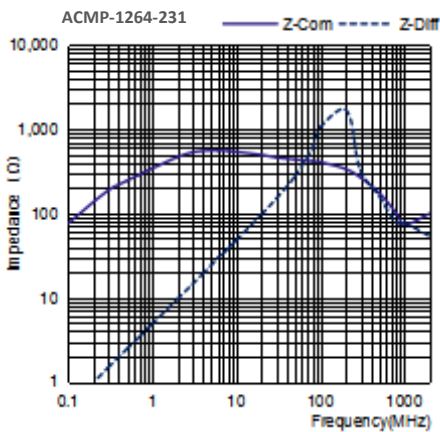


Check Inventory



10 x 8.7 x 6.5mm
RoHS/RoHS II Compliant
MSL Level = 1

Electrical Specifications (Cont'd)



5101 Hidden Creek Ln Spicewood TX 78669
 Phone: 512-371-6159 | Fax: 512-351-8858
 For terms and conditions of sales, please visit:
www.abracon.com

REVISION: IR 06-29-22

ABRACON IS
 ISO9001-2015
 CERTIFIED

Signal Common Mode Chokes



ACMS-1065 Series

Request Samples

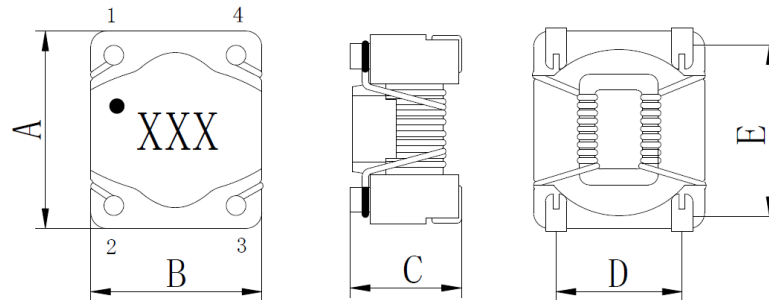


Check Inventory

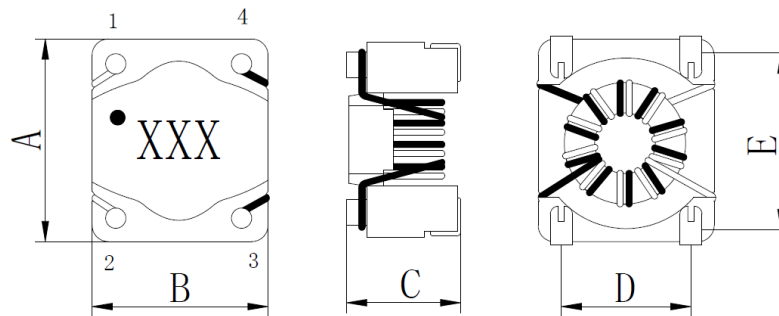


10 x 8.7 x 6.5mm
RoHS/RoHS II Compliant
MSL Level = 1

Mechanical Specifications

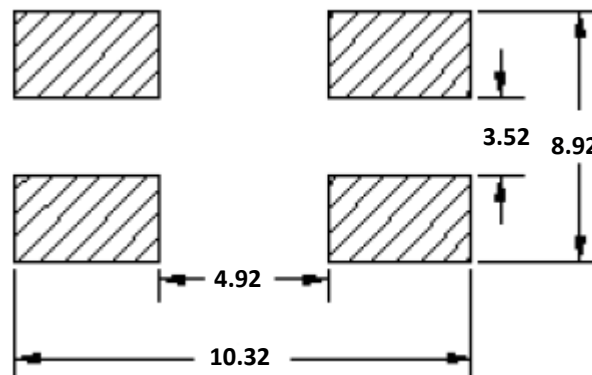


For 121, 221, 251, 471, 102.



For 222, 332, 392, 472.

A	B	C	D	E
10.0 ± 0.3	8.7 ± 0.3	6.5 MAX	6.22 ± 0.2	7.62 ± 0.2



Dimensions: mm

Recommended Layout



5101 Hidden Creek Ln Spicewood TX 78669
 Phone: 512-371-6159 | Fax: 512-351-8858
 For terms and conditions of sales, please visit:
www.abracon.com

REVISION: IR 06-29-22

ABRACON IS
 ISO9001-2015
 CERTIFIED

Signal Common Mode Chokes



ACMS-1065 Series

Request Samples

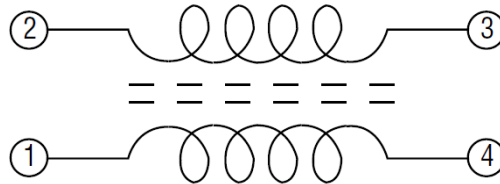


Check Inventory



10 x 8.7 x 6.5mm
RoHS/RoHS II Compliant
MSL Level = 1

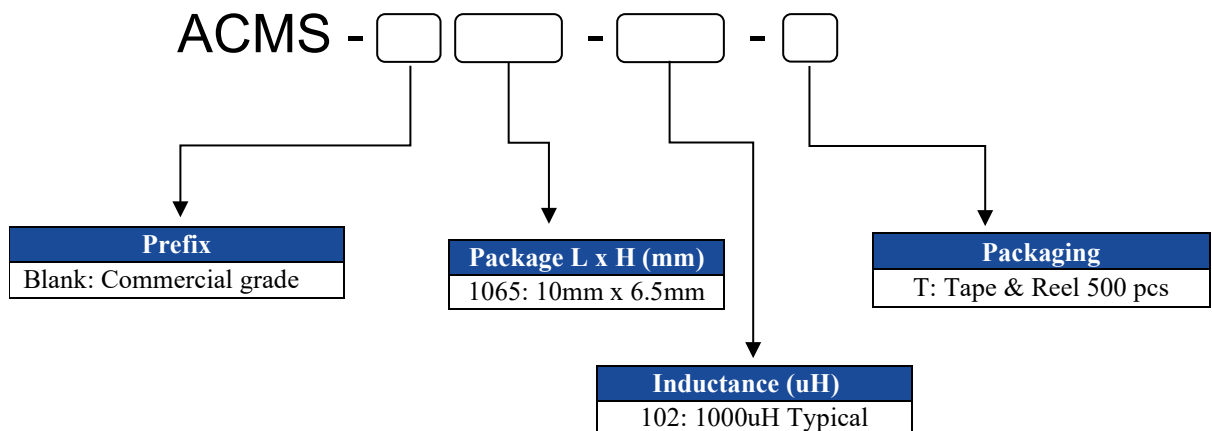
Schematic



Materials

Description	Specification
Core	Ferrite core
Wire	Enameled copper wire
Base	Plastic
Adhesive	Epoxy resin
Terminal	Sn/Cu

Part Identification



Signal Common Mode Chokes



ACMS-1065 Series

Request Samples

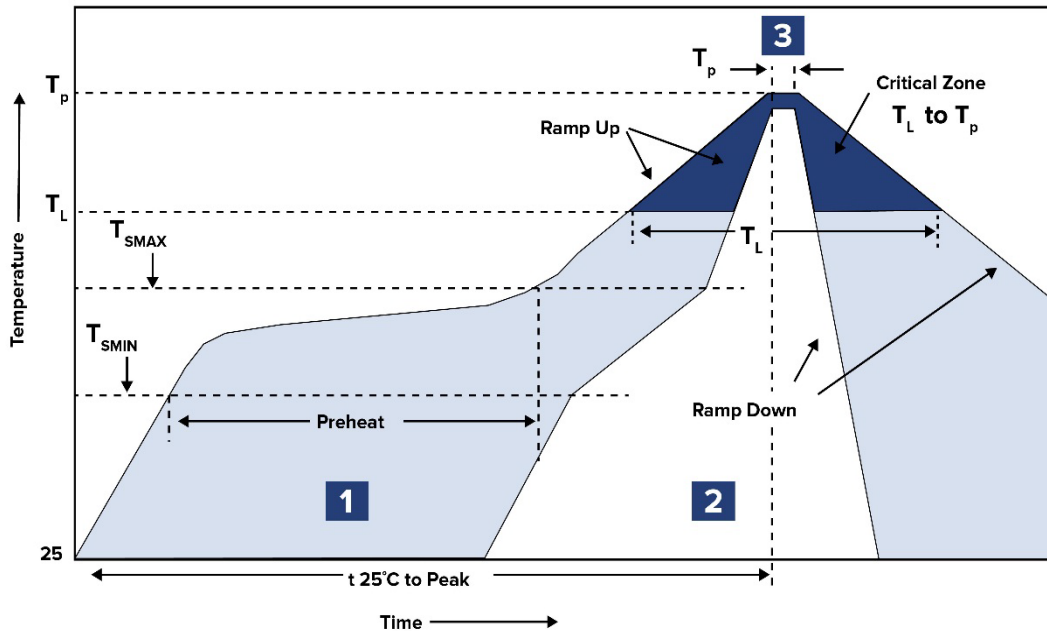


Check Inventory



10 x 8.7 x 6.5mm
RoHS/RoHS II Compliant
MSL Level = 1

Reflow Profile



Zone	Description	Temperature	Times
1	Preheat	$T_{SMIN} \sim T_{SMAX}$ 150°C ~ 190°C	60 ~ 120 sec.
2	Reflow	T_L 240°C	20 ~ 40 sec.
3	Peak heat	T_P 260°C Max.	5 sec. Max

1~2 °C/Sec. Ramp

Signal Common Mode Chokes



ACMS-1065 Series

Request Samples



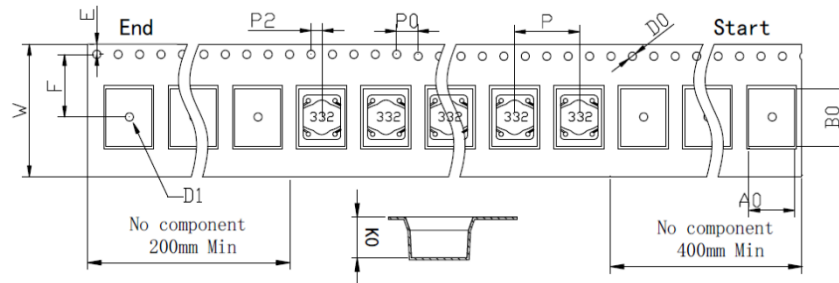
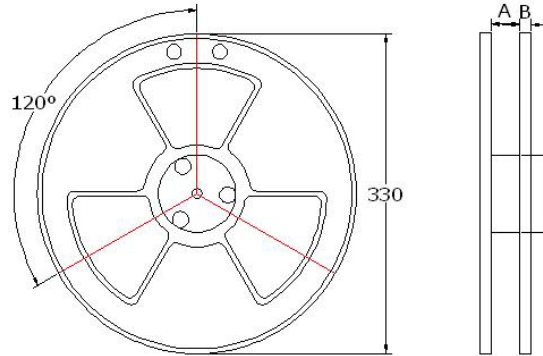
Check Inventory



10 x 8.7 x 6.5mm
RoHS/RoHS II Compliant
MSL Level = 1

Packing

Tape & Reel: 500pcs/reel



W	P	P0	P2	D0	E	F	A0	B0	K0
24 ± 0.30	12 ± 0.10	4.0 ± 0.10	2.0 ± 0.10	1.5 ± 0.10	1.75 ± 0.10	11.5 ± 0.10	9.1 ± 0.10	10.5 ± 0.10	6.8 ± 0.10

ATTENTION: Abracon LLC's products are COTS – Commercial-Off-The-Shelf products; suitable for Commercial, Industrial and, where designated, Automotive Applications. Abracon's products are not specifically designed for Military, Aviation, Aerospace, Life-dependent Medical applications or any application requiring high reliability where component failure could result in loss of life and/or property. For applications requiring high reliability and/or presenting an extreme operating environment, written consent and authorization from Abracon LLC is required. Please contact Abracon LLC for more information.



5101 Hidden Creek Ln Spicewood TX 78669
 Phone: 512-371-6159 | Fax: 512-351-8858
 For terms and conditions of sales, please visit:
www.abracon.com

REVISION: IR 06-29-22

ABRACON IS
 ISO9001-2015
 CERTIFIED