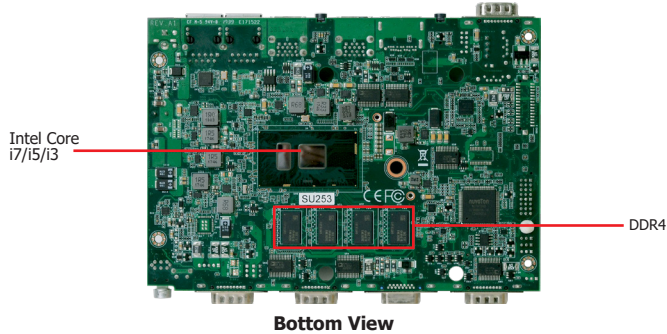
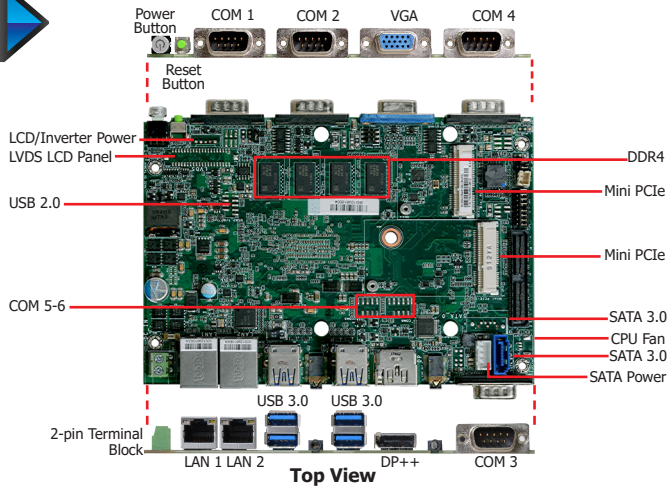


SU251/SU253

ULT



* The photos above refer to SU253.

Features

- Dual channel DDR4 2133MHz memory down up to 8GB
- Three independent displays: VGA + DP++*/HDMI + LVDS*/eDP
- DP++ resolution up to 4096x2304 @ 60Hz
- Rich I/O: 2 Intel GbE, 6 COM, 4 USB 3.0, 2 USB 2.0

* Populated by default

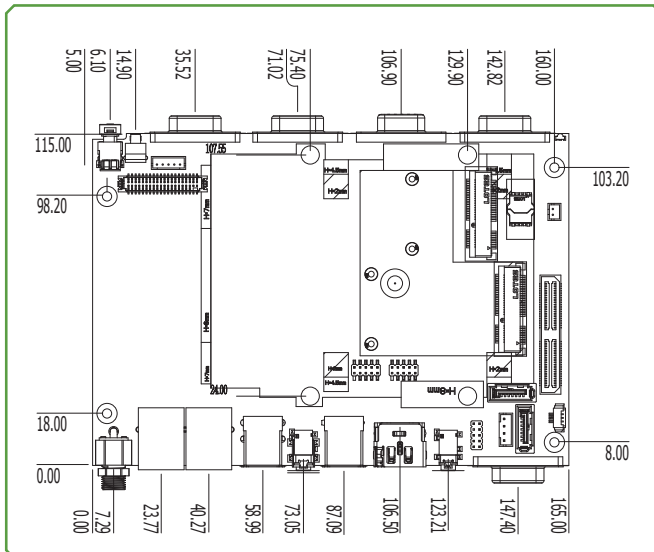


Ordering Information

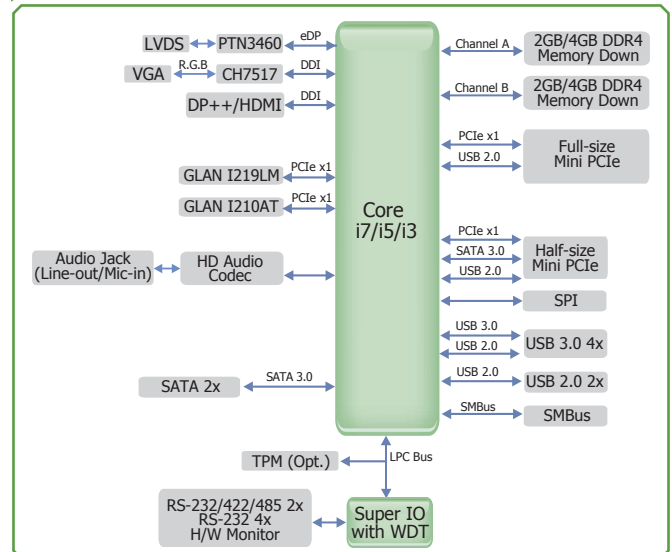
Model Name	P/N	Processor	Memory Down	DVI-D	LVDS/eDP	GbE	RS-232/422/485	USB 3.0	USB 2.0	Power	Thermal	Temp.
SU251-CB4-6600U	770-SU2511-000G	i7-6600U	4GB	None	LVDS	2	6	4	2	12V DC	Fanless	0 to 60°C
SU251-CB4-3955U	770-SU2511-100G	3955U	4GB	None	LVDS	2	6	4	2	12V DC	Fanless	0 to 60°C
SU253-CB4-6600U	770-SU2531-000G	i7-6600U	4GB	None	LVDS	2	6	4	2	15~36V DC	Fanless	0 to 60°C
SU253-CB4-3955U	770-SU2531-100G	3955U	4GB	None	LVDS	2	6	4	2	15~36V DC	Fanless	0 to 60°C

Note: i5-6300U and i3-6100U are supported upon request with MOQ requirement.

Mechanical Drawing



Block Diagram



Specifications

SYSTEM	Processor	6th Generation Intel® Core™ Processors, BGA 1356 (Skylake-U*) Intel® Core™ i7-6600U Processor, Dual Core, 4M Cache, 2.6GHz (3.4GHz), 15W Intel® Core™ i5-6300U Processor, Dual Core, 3M Cache, 2.4GHz (3.0GHz), 15W Intel® Core™ i3-6100U Processor, Dual Core, 3M Cache, 2.3GHz, 15W Intel® Celeron® Processor 3955U, Dual Core, 2M Cache, 2.0GHz, 15W	
	Memory	4GB/8GB Memory Down Dual Channel DDR4 2133MHz	
	BIOS	Insyde SPI 128Mbit	
	GRAPHICS	Controller	Intel® HD Graphics GT Series
GRAPHICS	Feature	OpenGL 5.0, DirectX 12, OpenCL 2.1 HW Decode: AVC/H.264, MPEG2, VC1/WMV9, JPEG/MJPEG, HEVC/H265, VP8, VP9 HW Encode: AVC/H.264, MPEG2, JPEG, HEVC/H265, VP8, VP9	
	Display	1 x VGA 1 x DP++/HDMI (HDMI available upon request) 1 x LVDS/eDP (eDP available upon request)	VGA: resolution up to 1920x1200 @ 60Hz DP++: resolution up to 4096x2304 @ 60Hz HDMI: resolution up to 2560x1600 @ 60Hz or 4096x2160 @ 24Hz LVDS: dual channel 48-bit, resolution up to 1920x1200 @ 60Hz eDP: resolution up to 3840x2160 @ 60Hz
	Triple Displays	VGA + DP++/HDMI (HDMI available upon request) + LVDS/eDP (eDP available upon request)	
	EXPANSION	Interface	1 x Full-size Mini PCIe (PCIe/USB, PCIe by default) (only Core i7/i5 supports full-size Mini PCIe) 1 x Half-size Mini PCIe (USB + PCIe/SATA, PCIe/SATA select by jumper setting, SATA by default)
AUDIO	Audio Codec	Realtek ALC888S-VD2-GR	
ETHERNET	Controller	1 x Intel® I210AT PCIe (10/100/1000Mbps) 1 x Intel® I219LM PCIe with iAMT11.0 (10/100/1000Mbps) (only Core i7/i5 supports iAMT)	
FRONT I/O	Serial	2 x RS-232/422/485; 1 x RS-232 (also supports an optional 8-bit DIO)	
	Display	1 x VGA	
	Button	1 x Power Button	1 x Reset Button
REAR I/O	Ethernet	2 x GbE (RJ-45)	
	Serial	1 x RS-232	
	USB	4 x USB 3.0	
	Audio	Mic-in; Line-out	
	Display	1 x DP++/HDMI	
INTERNAL I/O	Serial	2 x RS-232 (2.0mm pitch)	
	USB	2 x USB 2.0 (2.0mm pitch)	
	Display	1 x LVDS LCD Panel Connector	1 x LCD/Inverter Power (Supports optional eDP connector)
	Audio	1 x Audio (Line-out/Mic-in)	
	SATA	2 x SATA 3.0 (up to 6Gb/s)	1 x SATA Power
	SMBus	1 x SMBus	
	Other I/O	1 x Front Panel 1 x Chassis Intrusion	1 x Fan Connector
WATCHDOG TIMER	Output & Interval	System Reset, Programmable via Software from 1 to 255 Seconds	
SECURITY	TPM	Available Upon Request	
POWER	Type	Single 12V +/-10% DC (SU251)	Wide Range 15~36V (SU253)
	Connector	2-pin Terminal Block (Default) DC Jack (available upon request) Vertical Type Connector (available upon request)	
	Consumption	SU251 Typical: 6600U:12V @ 0.45A (5.44Watt) Max: 6600U:12V @ 3.14A (37.67Watt)	SU253 Typical: 6600U:19V @ 0.46A (8.7Watt) Max: 6600U:19V @ 2.07A (39.29Watt)
	RTC Battery	CR2032 Coin Cell	
OS SUPPORT	Microsoft/Linux	Windows 7 (/WES7) (32/64-bit) Windows 8.1 (64-bit) Windows 10 IoT Enterprise (64-bit)	Debian 8 (with VESA graphic driver) CentOS 7 (with VESA graphic driver) Linux
ENVIRONMENT	Temperature	Operating: 0 to 60°C	Storage: -40 to 85°C
	Humidity	Operating: 5 to 90% RH	Storage: 5 to 90% RH
	MTBF	SU251 : 369,377 hrs @ 25°C; 205,103 hrs @ 45°C ; 123,607 hrs @ 60°C SU253 : 359,921 hrs @ 25°C; 199,960 hrs @ 45°C ; 120,832 hrs @ 60°C Calculation model: Telcordia Issue 2, Method I Case 3 Environment: GB, GC – Ground Benign, Controlled	
MECHANICAL	Dimensions	4" SBC Form Factor	165mm (6.49") x 115mm (4.53")
	Height	PCB: 1.6mm	Top Side: TBD, Bottom Side: TBD

Packing List

• 1 SU251/SU253 board	
• 1 COM port cable (Length: 250mm, 1 x COM ports)	A81-017001-001G
• 1 Serial ATA data cable (Length: 500mm)	332-553001-005G
• 1 Serial ATA power cable (Length: 250mm)	A81-004041-016G
• 1 Audio cable (Length: 160mm)	332-953053-004G
• 1 Front panel cable (Length: 100mm)	A81-009097-001G
• 1 Heat sink for -20 to 70°C (Height: 31mm) for 0 to 60°C (Height: 21mm)	A71-011074-000G A71-011075-000G

Optional Items

• USB port cable (Length: 200mm)	A81-001032-016G
• COM port cable (Length: 250mm, 1 x COM ports)	A81-017001-001G
• Serial ATA data cable (Length: 500mm)	332-553001-005G
• Serial ATA power cable (Length: 250mm)	A81-004041-016G
• Power adapter (60W, 12V, Level 6) (Length: 1500mm)	671-106012-000G
• Heat spreader (Height: 8.0mm)	A71-808302-000G