

Solid-state relays - ST-OE2-120AC/ 48DC/100 - 2911731

Please be informed that the data shown in this PDF Document is generated from our Online Catalog. Please find the complete data in the user's documentation. Our General Terms of Use for Downloads are valid (<http://phoenixcontact.com/download>)




Plug-in input solid-state relay, with LED and protective circuit in input and output circuits, input: 120 V AC, output: 8 - 48 V DC/max. 100 mA, can be plugged into basic terminal blocks

The illustration shows version ST-OV
2- 5 DC/ 48 DC/100



Key commercial data

Packing unit	1 pc
GTIN	 4 017918 079758
Weight per Piece (excluding packing)	24.05 GRM
Custom tariff number	85364900
Country of origin	Germany

Technical data

Dimensions

Width	14.6 mm
Height	33 mm
Depth	66.5 mm

Ambient conditions

Ambient temperature (operation)	-20 °C ... 60 °C
Ambient temperature (storage/transport)	-20 °C ... 70 °C

Input data

Nominal input voltage U_N	120 V AC \pm 10 %
Switching threshold "0" signal in reference to U_N	\leq 0.4
Switching threshold "1" signal in reference to U_N	\geq 0.8
Typical input current at U_N	5 mA

Solid-state relays - ST-OE2-120AC/ 48DC/100 - 2911731

Technical data

Input data

Typical response time	10 ms
Typical turn-off time	10 ms
Status display	Yellow LED
Type of protection	Protection against polarity reversal
	Surge protection
Protective circuit/component	Polarity protection diode
	RC element
Transmission frequency	10 Hz

Output data

Output voltage range	8 V DC ... 48 V DC
Limiting continuous current	100 mA
Voltage drop at max. limiting continuous current	0.9 V
Output circuit	2-wire, floating
Type of protection	Protection against polarity reversal
	Surge protection
Protective circuit/component	Polarity protection diode

General

Test voltage input/output	2.5 kV AC
Mounting position	any
Standards/regulations	DIN VDE 0110

Classifications

eCl@ss

eCl@ss 4.0	27371102
eCl@ss 4.1	27371102
eCl@ss 5.0	27371001
eCl@ss 5.1	27371001
eCl@ss 6.0	27371001
eCl@ss 7.0	27371001
eCl@ss 8.0	27371001

ETIM

ETIM 2.0	EC001504
ETIM 3.0	EC001504
ETIM 4.0	EC001504

Solid-state relays - ST-OE2-120AC/ 48DC/100 - 2911731

Classifications

ETIM

ETIM 5.0	EC001504
----------	----------

UNSPSC

UNSPSC 6.01	30211916
UNSPSC 7.0901	39121542
UNSPSC 11	39121542
UNSPSC 12.01	39121542
UNSPSC 13.2	39121542

Approvals

Approvals


Approvals


GOST / GOST

Ex Approvals

Approvals submitted

Approval details

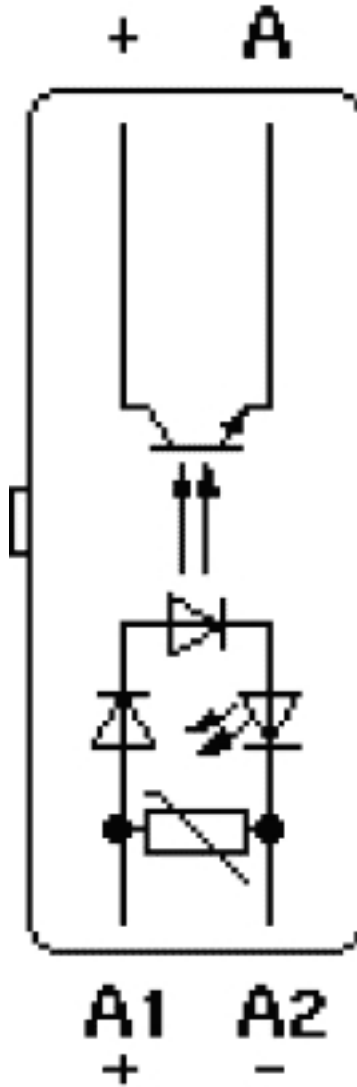
GOST 
--

GOST 
--

Drawings

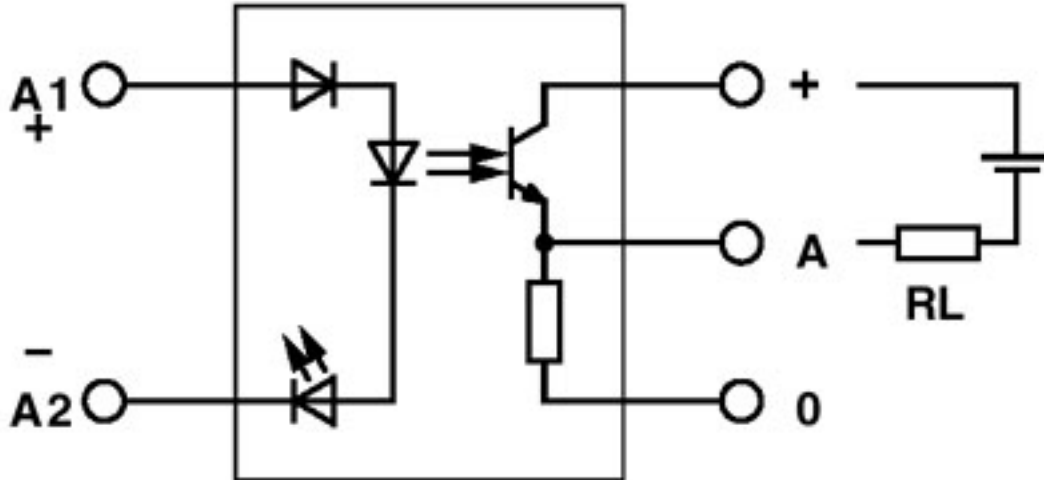
Solid-state relays - ST-OE2-120AC/ 48DC/100 - 2911731

Circuit diagram



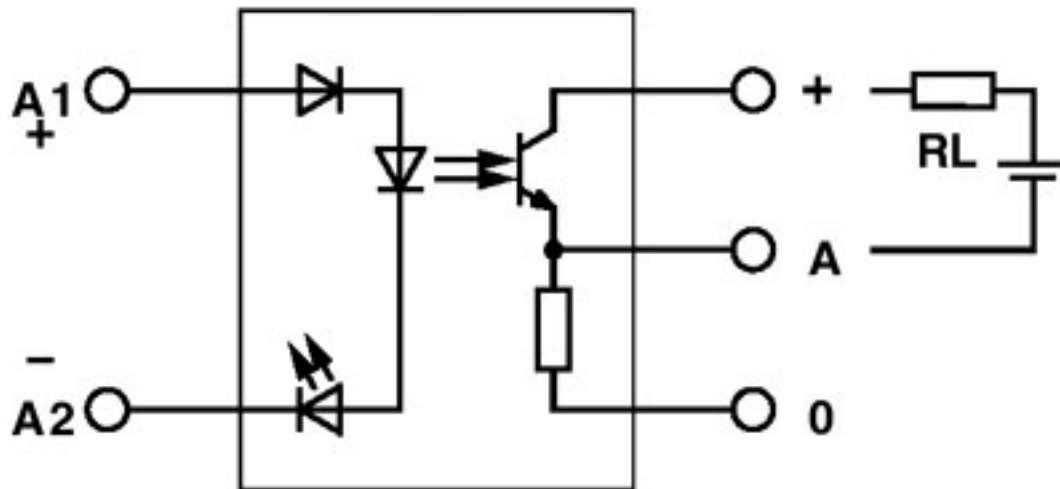
Solid-state relays - ST-OE2-120AC/ 48DC/100 - 2911731

Circuit diagram



Output: 2-wire, floating, plus switching

Circuit diagram



Output: 2-wire, floating, minus switching