

**PLEASE CHECK WWW.MOLEX.COM FOR LATEST PART INFORMATION**

**Part Number:** [0190160084](#)  
**Status:** **Active**  
**Description:** Krimptite™ Quick Disconnect, Female, for 12-14 (3.30-2.00) Wire, Mylar Tape, Tab 4.75mm (.187") x 0.51mm (.020")

**Documents:**

[Drawing \(PDF\)](#) [RoHS Certificate of Compliance \(PDF\)](#)

**Agency Certification**

CSA LR18689  
 UL E79133

**General**

Product Family Quick Disconnects  
 Series [19016](#)  
 Comments Butted Seam  
 Crimp Quality Equipment Yes  
 Product Name Krimptite™  
 Type Quick Disconnect

**Physical**

Barrel Type Closed  
 Gender Female  
 Glow-Wire Compliant No  
 Insulation None  
 Lock to Mating Part None  
 Material - Metal Brass  
 Material - Plating Mating Tin  
 Material - Plating Termination Tin  
 Orientation Straight  
 Packaging Type Adhesive Tape on Reel  
 Plating min: Mating (µin) 100  
 Plating min: Mating (µm) 2.5  
 Plating min: Termination (µin) 100  
 Plating min: Termination (µm) 2.5  
 Polarized to Mating Part No  
 Tab Thickness 0.51mm (.020")  
 Tab Width 4.75mm (.187")  
 Temperature Range - Operating Per Wire Specification  
 Termination Interface: Style Crimp or Compression  
 Wire Size AWG 12, 14  
 Wire Size mm² 2.00 - 3.30

**Electrical**

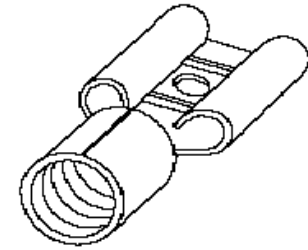
Voltage - Maximum Per Wire Specification

**Material Info**

Old Part Number P-1139T

**Reference - Drawing Numbers**

Sales Drawing 22A0001, SD-19016-004



*Series  
 image - Reference only*

**EU RoHS**

**ELV and RoHS  
 Compliant**  
**REACH SVHC  
 Contains SVHC: No**  
**Halogen-Free  
 Status**

**China RoHS**



**Need more information on product  
 environmental compliance?**

Email [productcompliance@molex.com](mailto:productcompliance@molex.com)  
 For a multiple part number RoHS Certificate of Compliance, [click here](#)

Please visit the [Contact Us](#) section for any non-product compliance questions.

**Search Parts in this Series**

[19016Series](#)

**Application Tooling | [FAQ](#)**

*Tooling specifications and manuals are found by selecting the products below. Crimp Height Specifications are then contained in the Application Tooling Specification document.*

**Global**

Description	Product #
ATP Perishable Tool Kit used in ATP presses that process product on tape	<a href="#">0190270184</a>

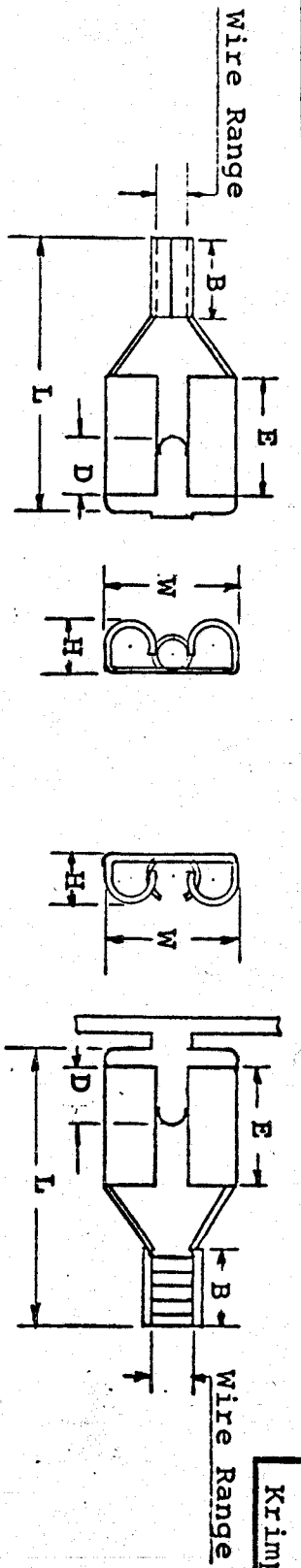


FIG. 1 Krimptite - Single Barrel Closed LOOSE PIECE  
 FIG. 2 Krimptite - Single Barrel Open STRIP

Part No.	Fig.	Wire Range	Fits Tab	Stock Thickness	"L"	"B"	"W"	"D"	"H"	"E"	Plating
BBZ-0159	2	16-14	.110 x .032	.016 Inch	.542	3/16	5/32	.119	3/32	1/4	No Plating
BBZ-1159	2	16-14	.110 x .032	.016 Inch	.542	3/16	5/32	.119	3/32	1/4	Electro-Tin
BBZ-0161	2	16-14	.187 x .020	.016 Inch	.542	3/16	15/64	.119	3/32	1/4	No Plating
BBZ-1161	2	16-14	.187 x .020	.016 Inch	.542	3/16	15/64	.119	3/32	1/4	Electro-Tin
BBZ-0164	2	16-14	.250 x .032	.016 Inch	.627	3/16	19/64	.156	7/64	5/16	No Plating
BBZ-1164	2	16-14	.250 x .032	.016 Inch	.627	3/16	19/64	.156	7/64	5/16	No Plating
X P-1139	1	14-12	.187 x .020	.016 Inch	.542	3/16	15/64	.119	3/32	1/4	Electro-Tin
X P-1142	1	14-12	.250 x .032	.016 Inch	.627	3/16	19/64	.156	7/64	5/16	Electro-Tin
PZ-0162	2	14-12	.187 x .020	.016 Inch	.542	3/16	15/64	.119	3/32	1/4	No Plating
PZ-1162	2	14-12	.187 x .020	.016 Inch	.542	3/16	15/64	.119	3/32	1/4	Electro-Tin
PZ-0165	2	14-12	.250 x .032	.016 Inch	.627	3/16	19/64	.156	7/64	5/16	No Plating
PZ-1165	2	14-12	.250 x .032	.016 Inch	.627	3/16	19/64	.156	7/64	5/16	Electro-Tin
BBZ-1185-032	2	16-14	.110 x .032	.016 Inch	.552	3/16	.163	.119	3/32	1/4	ELECTRO-TIN

TOLERANCES

± .025	± 1/64	± 1/64	± .010	± 1/64	± 1/64
--------	--------	--------	--------	--------	--------

MATERIAL: BRASS  
 MARKING: ETC

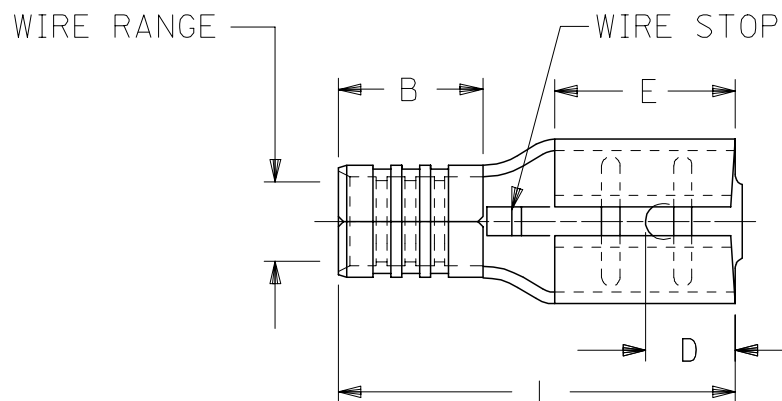
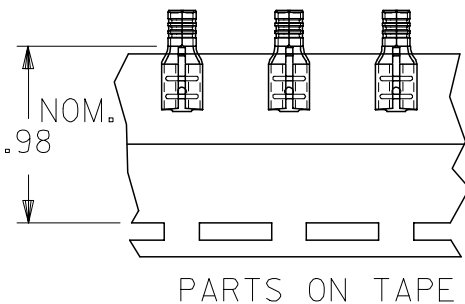
PERFORMANCE SPECS  
 See

CUSTOMER QD DIMENSION CHART

TITLE:	QUICK DISCONNECT Krimptite TERMINALS		
DIMENSIONAL TOLERANCE UNLESS OTHERWISE SPECIFIED	FRAC.	DEC.	ANG.
	±	±	±
REVISION	SCALE:	DATE	
	DRWN. BY: LEM	1/22/68	
	CHKD. BY:		
	APPRD. BY:		
	DRAWING NO.: 22A-0001		



13	12	11	10	9	8	7	6	5	4	3	2	1
MATERIAL NO. LOOSE PIECE	ENGINEERING NO.	MATERIAL NO. TAPE MOUNTED	ENGINEERING NO.	WIRE RANGE AWG	MM <sup>2</sup>	FITS MALE TAB SIZE	L MAX	B ±.01/3	W MAX	D ±.01/3	H ±.01/3	E NOM
190160085	P-1142	190160086	P-1142T	14-12	1.65-4.2	.250x.032	.66/16.8	.190/4.83	.30/7.6	.156/3.96	.103/2.62	.31/7.9
190160099	M-1136-032	190160144	M-1136-032T	26-24	0.1-0.3	.187x.032	.55/14.0	.156/3.96	.24/6.1	.125/3.18	.103/2.62	.25/6.4
190160006	AA-1137-032	190160007	AA-1137-032T	22-18	0.25-1.3	.187x.032	.58/14.7	.200/5.08	.24/6.1	.125/3.18	.103/2.62	.25/6.4
190160040	BB-1138-032	190160041	BB-1138-032T	16-14	1.0-2.6	.187x.032	.58/14.7	.200/5.08	.24/6.1	.125/3.18	.103/2.62	.25/6.4
190160082	P-1139-032	190160083	P-1139-032T	14-12	1.65-4.2	.187x.032	.58/14.7	.200/5.08	.24/6.1	.125/3.18	.103/2.62	.25/6.4
190160098	M-1136	190160100	M-1136T	26-24	0.1-0.3	.187x.020	.55/14.0	.156/3.96	.24/6.1	.125/3.18	.086/2.18	.25/6.4
190160005	AA-1137	190160008	AA-1137T	22-18	0.25-1.3	.187x.020	.58/14.7	.200/5.08	.24/6.1	.125/3.18	.086/2.18	.25/6.4
190160039	BB-1138	190160042	BB-1138T	16-14	1.0-2.6	.187x.020	.58/14.7	.200/5.08	.24/6.1	.125/3.18	.086/2.18	.25/6.4
190160081	P-1139	190160084	P-1139T	14-12	1.65-4.2	.187x.020	.58/14.7	.200/5.08	.24/6.1	.125/3.18	.086/2.18	.25/6.4



NOTES:

1. MATERIAL: BRASS (.016/.41 THICK)
2. PLATING: ELECTROPLATE TIN
3. ALL DIMENSIONS IN INCHES/MM  
WIRE SIZE: SEE CHART

ADDED MATERIAL NO FC NO: ETC2006-0197 DRAWN: ASYDEH CHKD: JLOMASTRO APPR: RDEROSS	DESCRIPTION 2006/01/18 2006/01/18 2006/01/30	QUALITY SYMBOLS =0 =0	GENERAL TOLERANCES (UNLESS SPECIFIED)		DIMENSION STYLE IN/MM		SCALE 4:1	DESIGN UNITS INCH	THIRD ANGLE PROJECTION
			mm	INCH	DRAWN BY RCM	DATE 90/11/28	TITLE KRIPTITE QUICK DISCONNECT		
			4 PLACES ± .005	± .005	CHECKED BY RCM	DATE 90/11/28	MOLEX INCORPORATED DOCUMENT NO. SD-19016-004 SHEET NO. 1 OF 1		
			3 PLACES ± .013	± .01	APPROVED BY RDEROSS	DATE 90/11/28			
			2 PLACES ± 0.25	± .01	MATERIAL NO. SEE CHART				
			1 PLACE ± 0.25	± .01	DRAFT WHERE APPLICABLE MUST REMAIN WITHIN DIMENSIONS				
			ANGULAR ±1/2°		THIS DRAWING CONTAINS INFORMATION THAT IS PROPRIETARY TO MOLEX INCORPORATED AND SHOULD NOT BE USED WITHOUT WRITTEN PERMISSION				