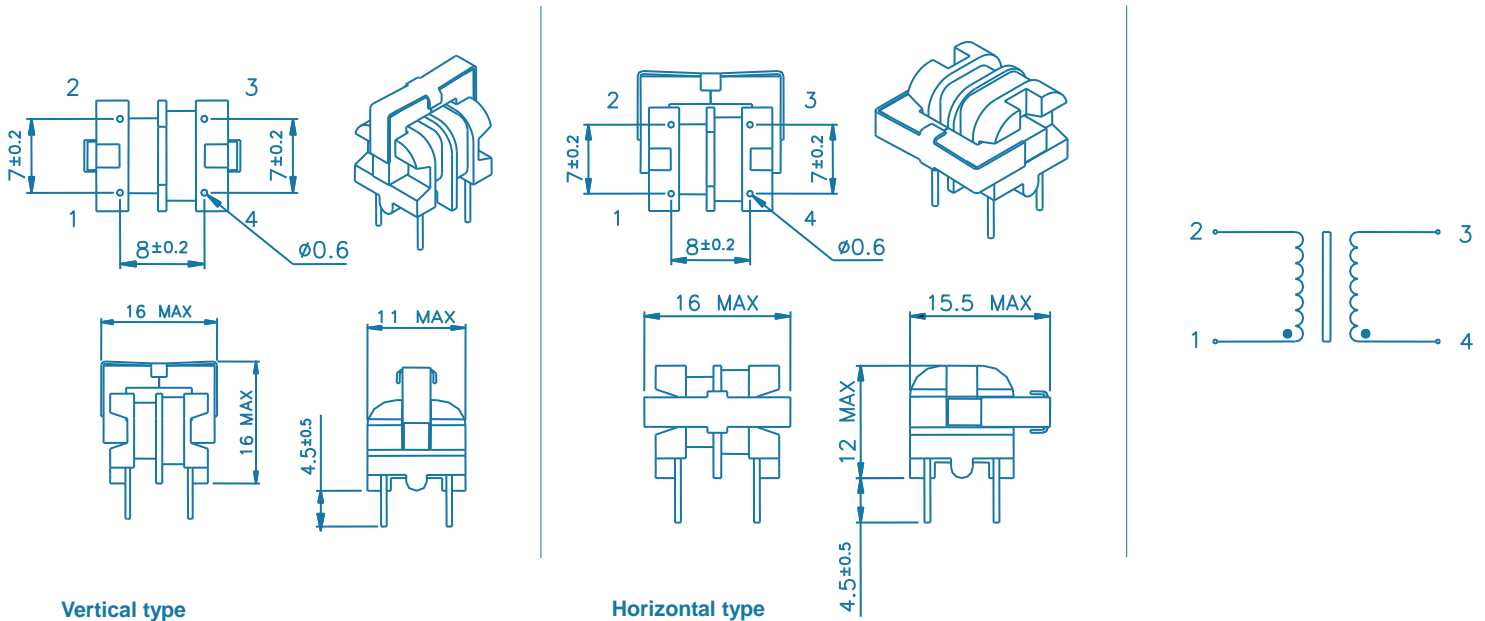


Type VERT. and HORIZ.	Size U9.8	Current 0.18 to 0.8 A	MYRRA P/N 74330 to 74339
---------------------------------	---------------------	---------------------------------	------------------------------------

Product designation

COMMON MODE CHOKE - U9.8

MECHANICAL CHARACTERISTICS - PINOUT



PCB recommended drilling diameter : 1.0 mm

ELECTRICAL CHARACTERISTICS

At 25 °C

MYRRA P/N		Common mode inductance (min. - max.)	Rated current	Resistance (per winding)	Differential mode inductance (min.)	Resonance frequency (min.)
Vertical	Horizontal					
74330	74335	33 ~ 56 mH	0.18 A _{rms}	7.0 Ω max.	710 μH	210 kHz
74331	74336	18 ~ 31 mH	0.26 A _{rms}	3.5 Ω max.	360 μH	280 kHz
74332	74337	10 ~ 17 mH	0.35 A _{rms}	2.0 Ω max.	210 μH	400 kHz
74333	74338	4.7 ~ 8.0 mH	0.5 A _{rms}	0.95 Ω max.	100 μH	610 kHz
74334	74339	2.2 ~ 3.7 mH	0.8 A _{rms}	0.40 Ω max.	45 μH	910 kHz

REMARKS

- RoHS compliant
- UL94 V-0 materials
- Class B
- Ambient temperature: 50 °C max.
- 1.5 kV hi-pot between windings