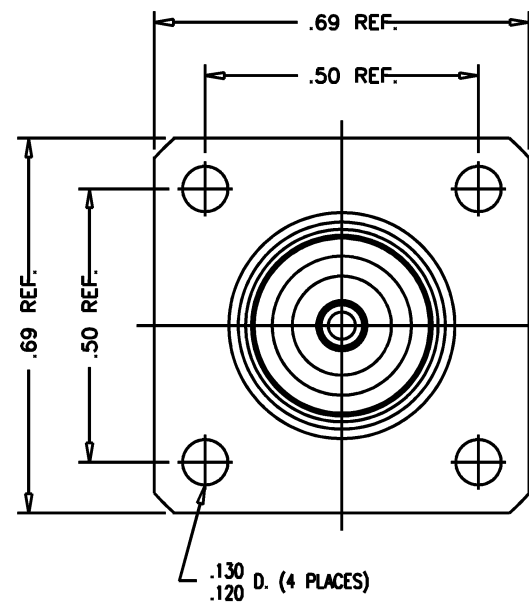
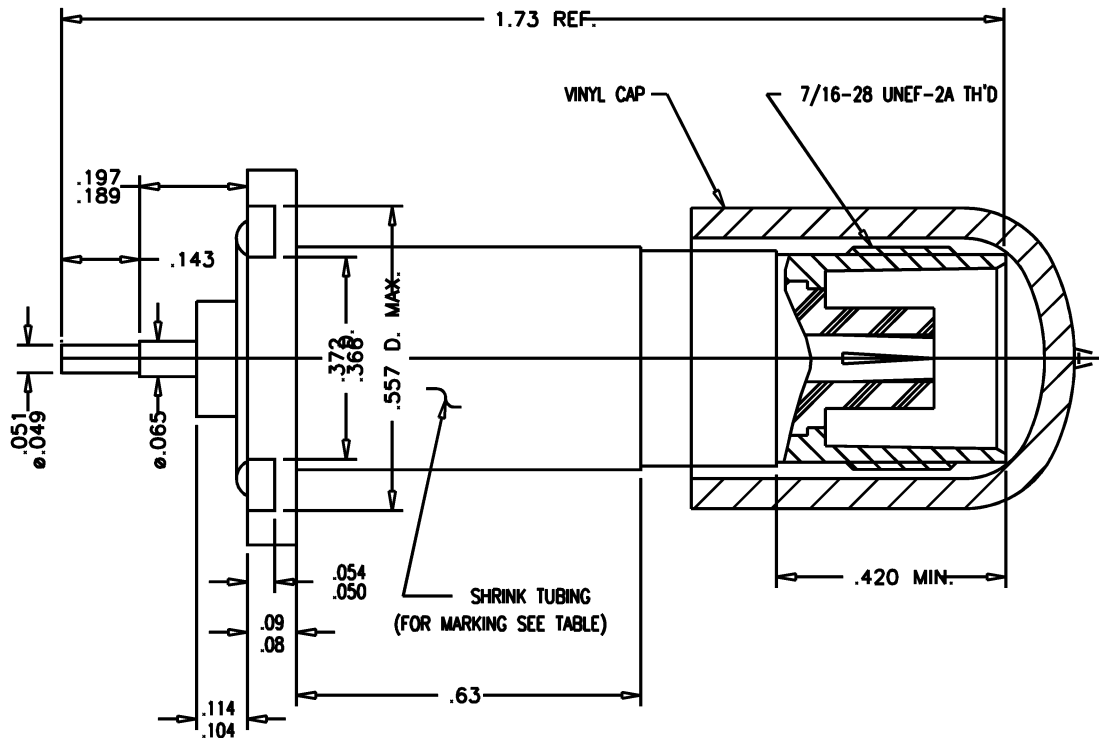


DASH NO. M CODE MADE FROM

GSD



127-41-*

REVISIONS

ISSUE	CHANGES
0	ER 39351 TML 10/28/05
1	CN 39716 A DCT 11/27/6

NOTES:

- INTERFACE TO BE IN ACCORDANCE WITH MIL-STD-348 FIG. 313-2.
- MATERIALS:**
 INSULATOR-TEFLON, ASTM-D-4894
 CENTER CONTACT-BER. COP., ASTM-B-196
 O-RING-SILICONE RUBBER, ZZ-R-765
 SHRINK TUBING-POLYOLEFIN PER MIL-I-23053/5
 BODY-BRASS, ASTM-B16
- FINISHES:**
 CENTER CONTACT-GOLD PLATE PER MIL-G-45204
 BODY-KINGS TARNISH RESISTANT FINISH (TR-5)
- ELECTRICAL CHARACTERISTICS:**
 NOMINAL IMPEDANCE-50 OHMS
 FREQUENCY RANGE-DC TO 1.10 GHZ
 WORKING VOLTAGE-500 VOLTS RMS
 VSWR: 1.07 MAX.

KINGS P/N	CODE	MARKING
127-41-1	J1	J1
127-41-2	J2	J2
127-41-3	J3	J3
127-41-4	J4	J4

SCALE 4:1

APPROX SURFACE AREA

EQR997, 1112

USED ON 127-41

REF: CHELTON DWG. NO. 8013-0852 REV. NEXT

RECEPTACLE, PANEL, TNC

DRAWN	TML	DATE	10/26/05
DESIGN	TML	DATE	10/26/05
APPR.		DATE	

KINGS
 ELECTRONICS CO., INC.
 ROCK HILL, SOUTH CAROLINA 29730

GSD

127-41-*