

LPN4532 Series

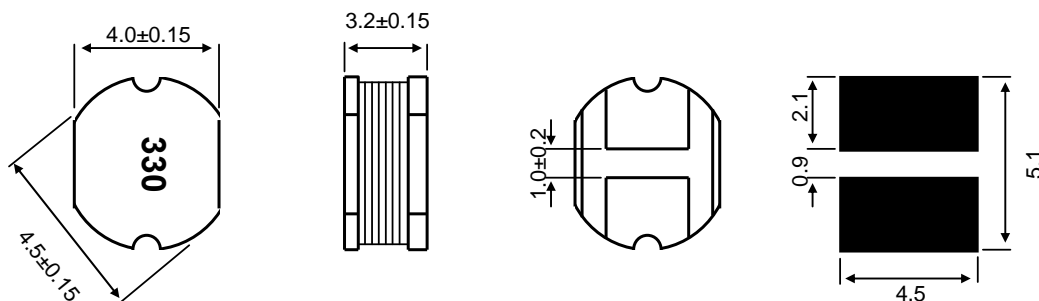


<http://www.abco.co.kr>

SMD Nonshielded type

▼ Shape & Dimensions / Recommended Solder Land Pattern

(Dimensions in mm)



▼ Electrical Characteristics

Ordering Code	Inductance		Freq.	DC Resistance(Ω)	Rated DC current(A)
	L (uH)	Tol. (%)	F (KHz)	Rdc (Max.)	
LPN4532T-1R0M	1.0	±20	100	0.048	2.7
LPN4532T-1R5M	1.5			0.056	2.6
LPN4532T-2R2M	2.2			0.071	1.9
LPN4532T-3R3M	3.3			0.086	1.7
LPN4532T-4R7M	4.7			0.108	1.5
LPN4532T-6R8M	6.8			0.131	1.3
LPN4532T-100K	10	±10	100	0.182	1.1
LPN4532T-150K	15			0.235	0.85
LPN4532T-220K	22			0.378	0.68
LPN4532T-330K	33			0.540	0.56
LPN4532T-470K	47			0.844	0.44
LPN4532T-680K	68			1.117	0.37

▼ Test Equipments

- . L : Agilent E4980A Precision LCR Meter
- . Rdc : HIOKI 3540 mΩ HiTESTER
- . Idc : Agilent 4284A LCR Meter + Agilent 42841A Bias Current Source

▼ Test Condition

- . L(Frequency , Voltage) : F=100 (KHz) , V=0.5 (V)
- . Idc(The saturation current) : $\Delta L \leq 10\%$ typical at rated current
- ※ Rated DC current : Idc

▼ Operating Temperature Range

-20 ~ +85 °C (Including self-generated heat)