

REVISION RECORD				
REV	ECN	DESCRIPTION	DRFT	DATE
A0		NEW		20.12.02

NOTES1:

UL Standard

1. Rated voltage/current : 300V / 41A
2. Withstanding voltage : AC1600V/1Min.

IEC Standard

1.	Pollution degree	2	2	3
	Overtoltage category	II	III	III
	Rate impulse voltage(KV)	6KV	6KV	6KV
	Rate voltage(V)	1000V	630V	630V
	Rate current(A)	41A		

NOTES2:

1. Dimension shall be interpreted per ASME Y14.5-2009
2. Pitch : 7.62mm, Poles : N=02~12P
3. Operating temperature: -40°C~+105°C
4. Undimensioned tolerances:

Pitch range in mm		Nominal dimension range in mm							-	∩	□
TO	Over	TO	Over	TO	Over	TO	Over	TO	0.1/10		
6	6 TO 10	10 TO 24	30 TO 60	60 TO 100	100 TO 150	150					
±0.15	±0.20	±0.30	±0.30	±0.50	±0.70	±1.00	±1.30	±2'			

5. RoHS Compliance

Ordering Information

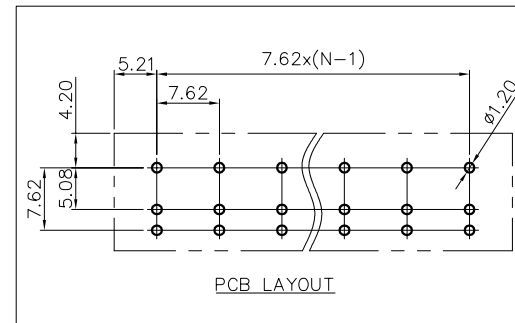
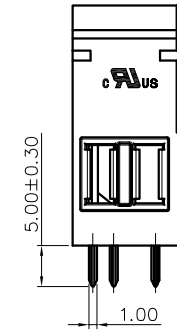
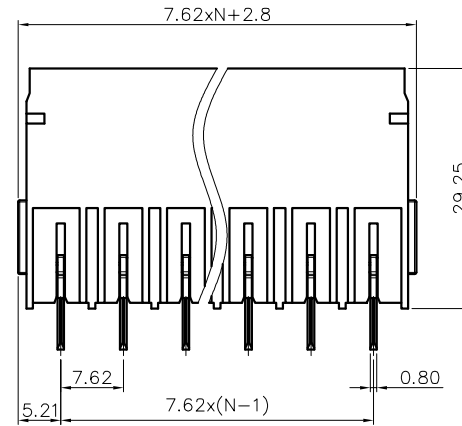
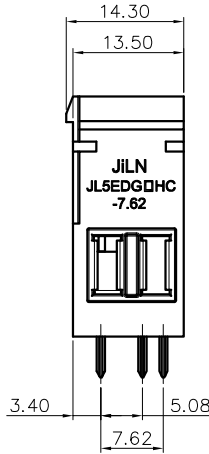
JL5EDGVHC-762 XX G 0 1

Pitch
762=7.62PH

No. of pins
2P, 3P, 4P~12P

Housing Color
B=Black
G=Green
U=Blue
R=Red
W=White
Y=Yellow
O=Orange
E=Grey

Packing
0=Pe bag
T=Tube
A=Tray



DRAW	SHUANGPING ZHENG	SCALE	FIT	东莞市锦凌电子有限公司 DONGGUAN JINLING ELECTRONIC CO.,LTD	
		UNIT	mm		
CHECK	LICHAD LIU	SIZE	A4		
		SHEET	1/1		
APPROVE	YONGLIANG GAO	PROJ.		PART NO.	JL5EDGVHC-762XXG01
		TITLE:	JL5EDGVHC-7.62-XXP 插拔式公座 / 绿色 / 直脚		