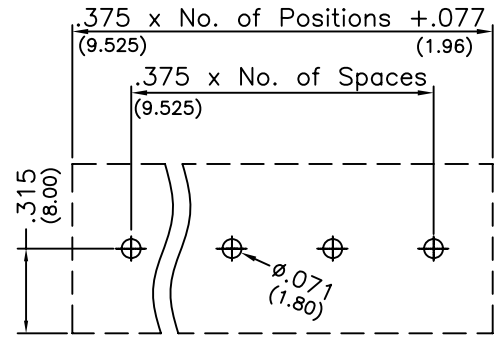
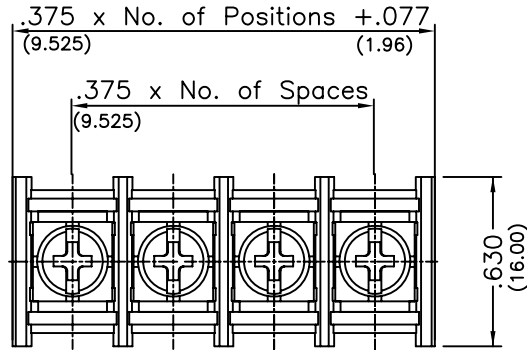
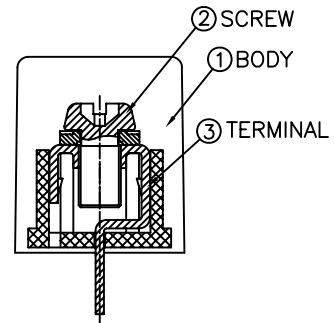
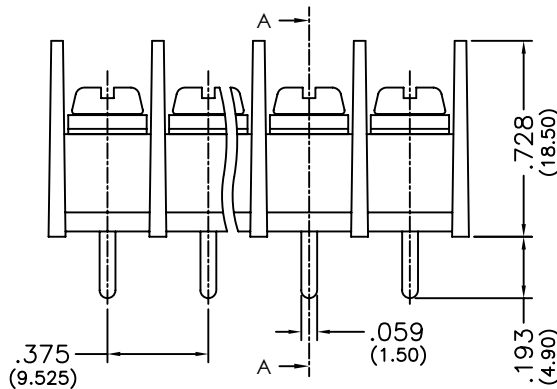
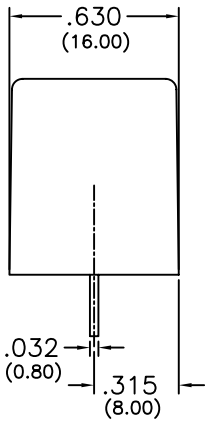


# Major League Electronics .375 cl Barrier Terminal Blocks



PCB Layout



Section A-A

## Ordering Information

TBB-06-**375** - **XX** - **XX** - **LF**

Pitch  
375 = .375 (9.525) cl

No. of Positions  
02 - 24

Lead Free

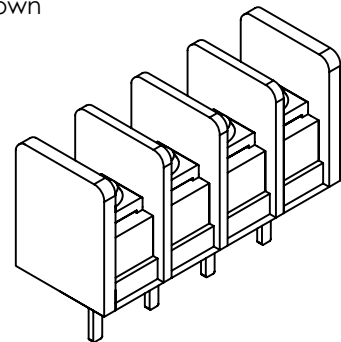
Color  
BK = Black (Standard)  
GR = Green  
BL = Blue  
WH = White  
GY = Grey  
OR = Orange  
YW = Yellow  
RD = Red  
BR = Brown

### Specifications

Current Rating: 25 Ampere  
Voltage Rating: AC 300V  
Wire Range: 12-22 AWG  
Dielectric Withstanding Voltage: AC 2500V/1 minute  
Insulation Resistance: DC 500V 1000M $\Omega$   
Operating Temperature: -30°C to + 105°C  
Max Torque: 6.94 lb-in (8.0kgf. cm)  
Strip Length: .394-.472 (10-12mm)

### Materials

1. Body: PA66 (Nylon), UL94V-0
2. Screw: M3.5, C1018 Steel, Nickel Plated
3. Terminal: H62 Brass, Tin Plated



Parts are subject to change without notice

TBB-06-375-XX-XX-LF

.375cl Barrier Terminal Block  
Non-Interlock

05 DEC 08

Scale  
NTS

UNLESS OTHERWISE SPECIFIED  
DIMENSIONS IN INCHES (MM)  
TOLERANCES IN INCHES:

ONE DECIMAL PLACE  $\pm 0.30$   
TWO DECIMAL PLACE  $\pm 0.20$   
THREE DECIMAL PLACE  $\pm 0.15$   
FOUR DECIMAL PLACE  $\pm 0.10$



4235 Earnings Way, New Albany, Indiana, 47150, USA  
1-800-782-3486 (USA/Canada/Mexico)  
Tel: 812-944-7244  
Fax: 812-944-7268  
E-mail: mle@mlelectronics.com  
Web: www.mlelectronics.com

Revision  
C

Sheet  
1/2


## Revisions

Revision C - (10th Jun 2010)

Color options amended to black as standard

Revision B - (23rd Mar 2010)

Side view added,  
PCB layout amended to feature round holes  $\text{Ø}.071$  ( $\text{Ø}1.80$ )  
Voltage rating amended to AC 300V

	TBB-06-375-XX-XX-LF	.375cl Barrier Terminal Block Non-Interlock	05 DEC 08	Scale NTS
<small>UNLESS OTHERWISE SPECIFIED DIMENSIONS IN INCHES (MM) TOLERANCES IN INCHES:</small>  <small>ONE DECIMAL PLACE ±0.30 TWO DECIMAL PLACE ±0.20 THREE DECIMAL PLACE ±0.15 FOUR DECIMAL PLACE ±0.10</small>		4235 Earnings Way, New Albany, Indiana, 47150, USA 1-800-782-3486 (USA/Canada/Mexico) Tel: 812-944-7244 Fax: 812-944-7268 E-mail: mle@mlelectronics.com Web: www.mlelectronics.com	Revision C	
			Sheet 2/2	