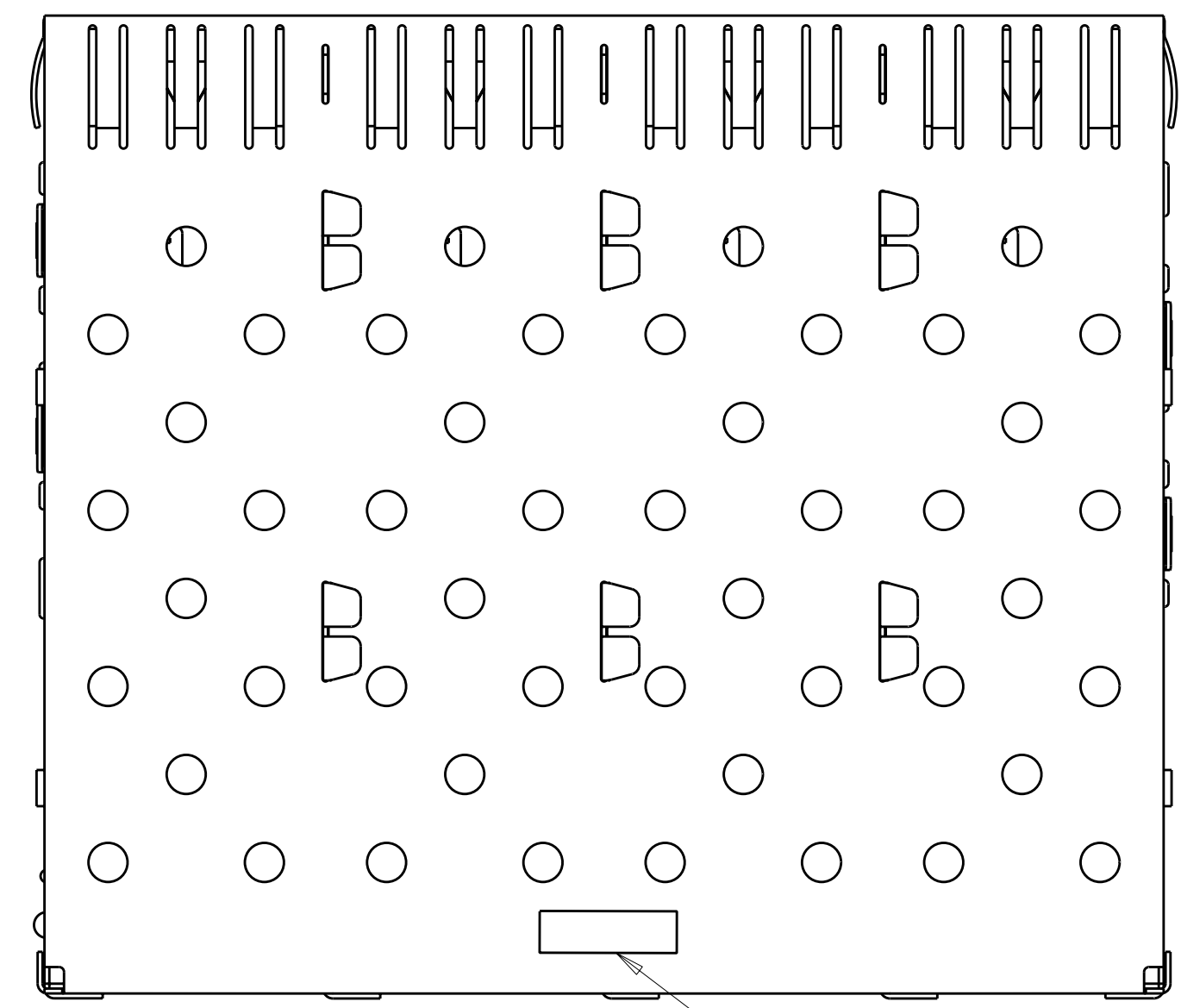
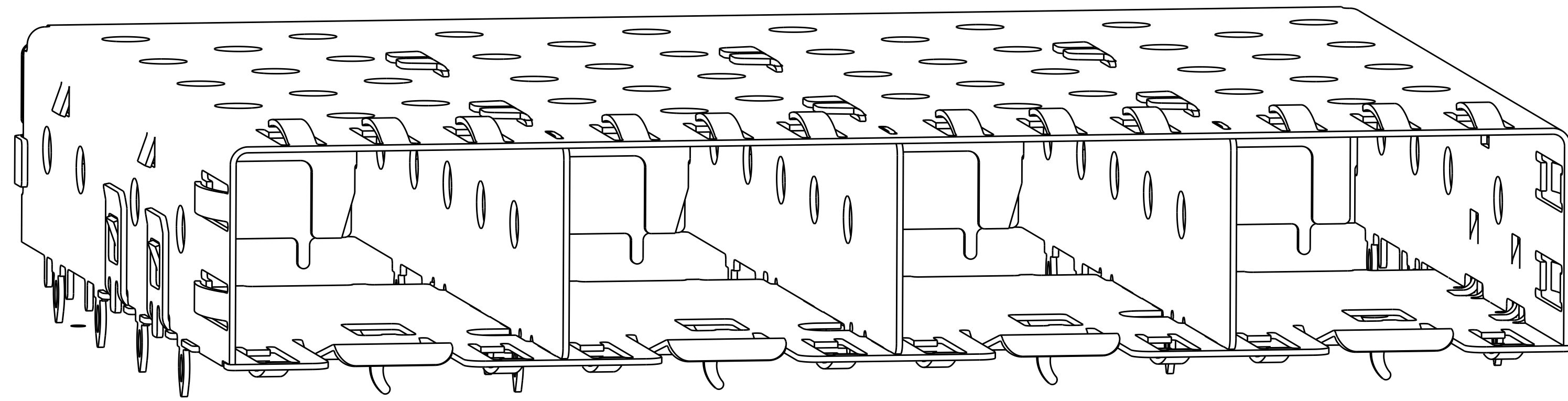
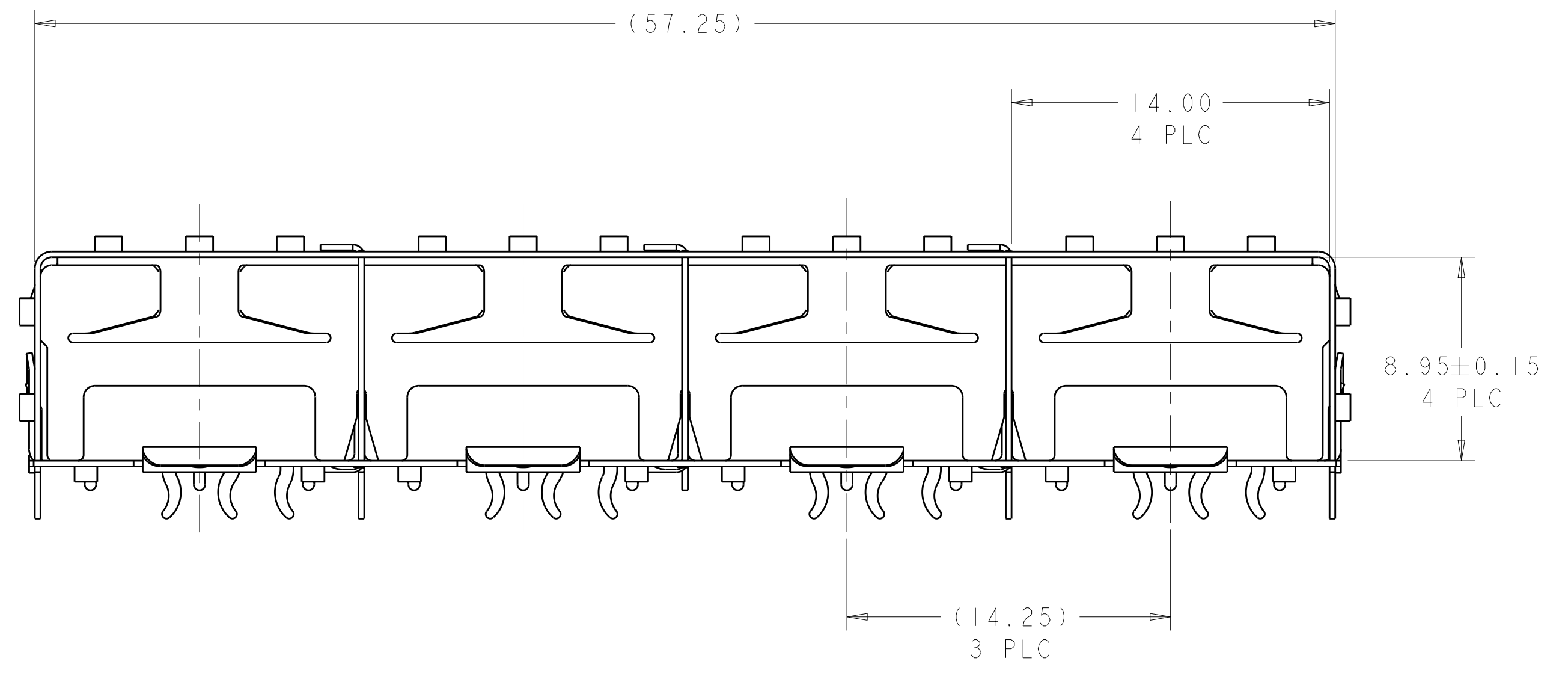
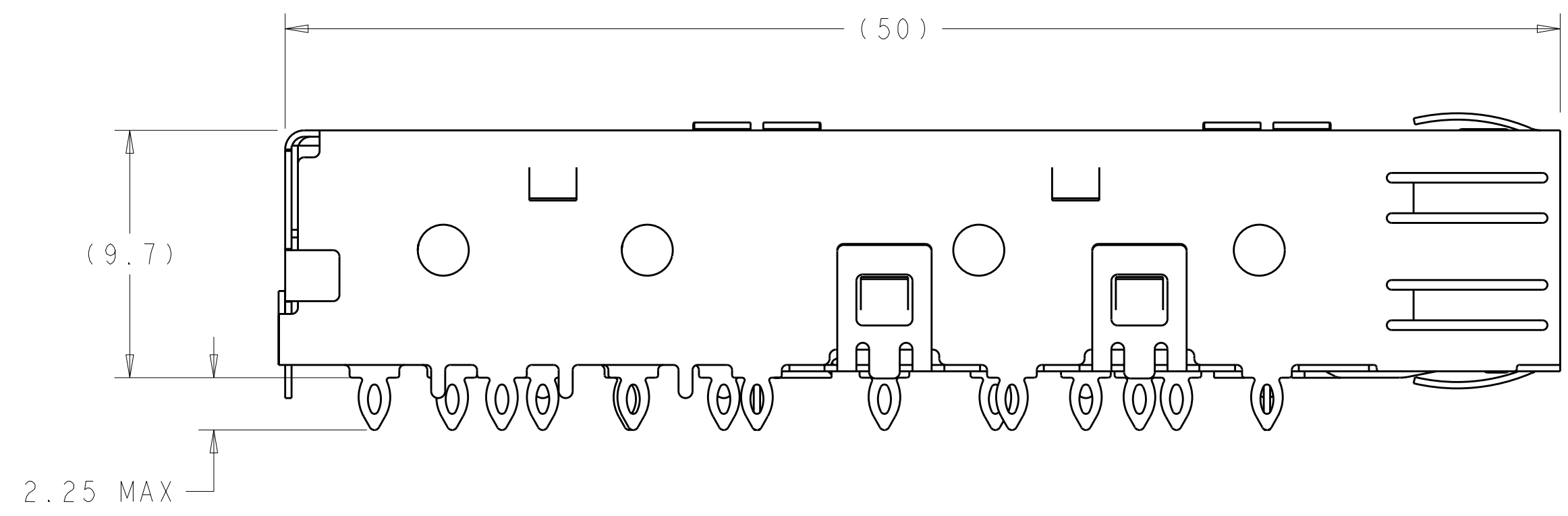


LOC	DIST	REV	DESCRIPTION	DATE	DWN	APVD
GP	00					
	G1		REVISED PER ECO-11-003319	01APR2011	JY	CW
	H		REVISED PER ECO-12-011010	13JUN2012	JY	AC



SCALE 3:1 △7

- △1 MATERIAL: 0.25 THICK COPPER ALLOY.
- △2 FINISH: TIN PLATING PER ASTM B 545, 1.25um MINIMUM THICKNESS ALL OVER NICKEL FLASH PER QQ-N-290. NONPLATED EDGES PERMISSIBLE.
- △3 PADS AND VIAS CHASSIS GROUND.
- △4 DATUM AND BASIC DIMENSION ESTABLISHED BY CUSTOMER.
- △5 REFERENCE APPLICATION SPEC 114-13120, HOLE A, FOR RECOMMENDED DRILL HOLE DIAMETER AND PLATING THICKNESSES.
- △6 REFERENCE APPLICATION SPEC 114-13120, HOLE B, FOR RECOMMENDED DRILL HOLE DIAMETER AND PLATING THICKNESSES.
- △7 COMPANY LOGO IN APPROXIMATE AREA SHOWN
- △8 PATTERN REPEATS FOR EACH PORT. SPACING BETWEEN PORTS IS 14.25 mm.



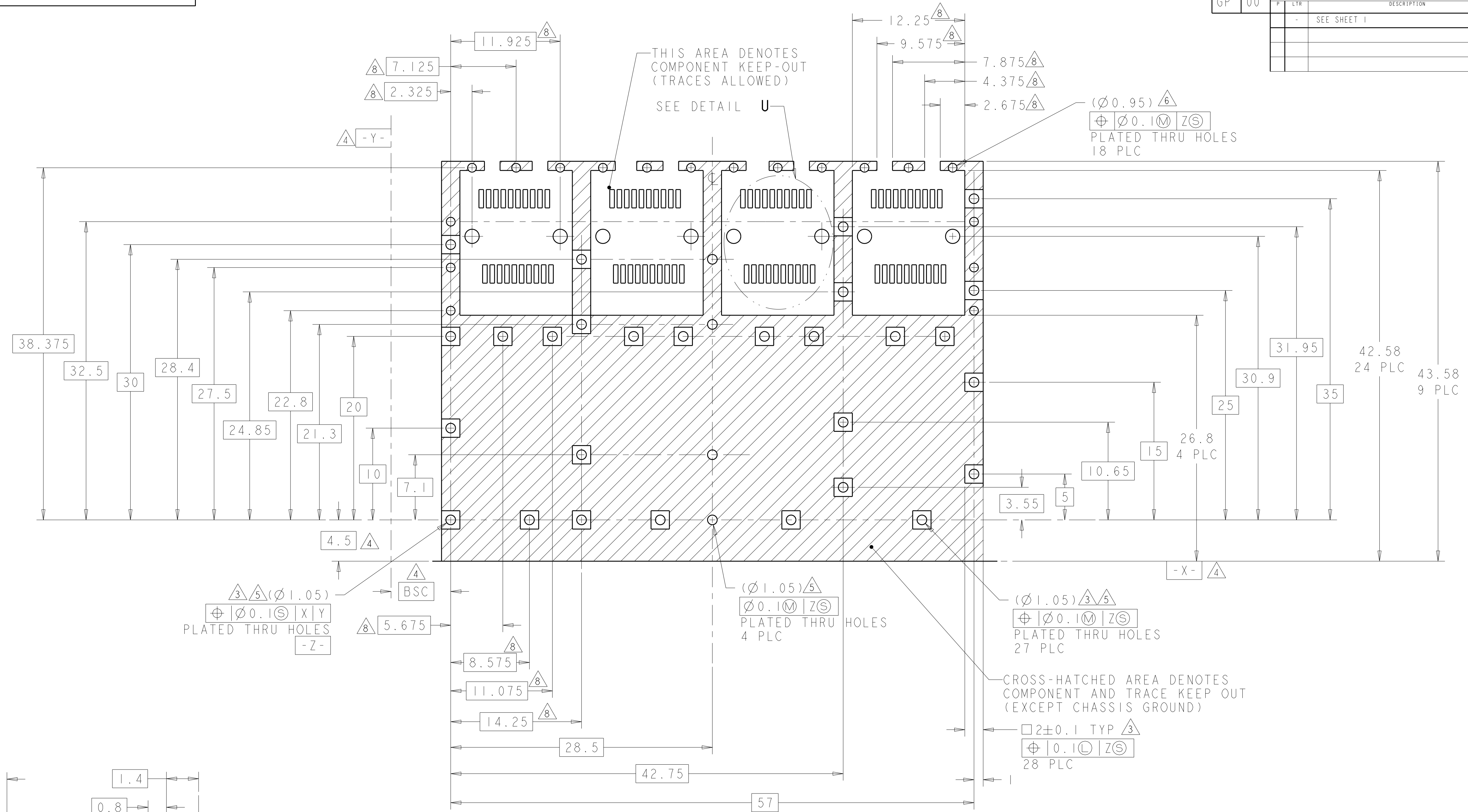
1658744-1
 1X4 CAGE ASSEMBLY
 SCALE 6:1

IX4	1658744-1
POSITION	PART NUMBER

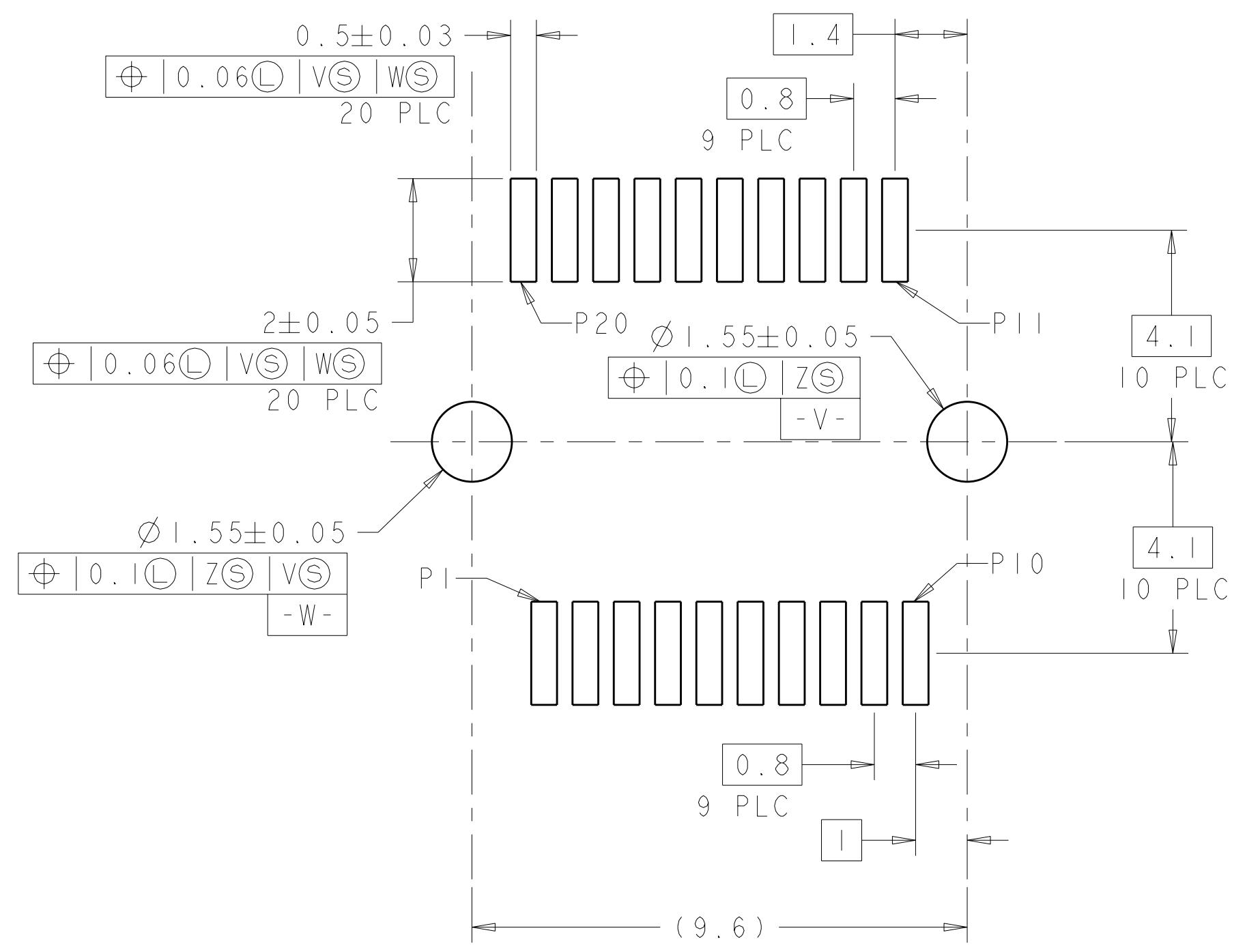
THIS DRAWING IS A CONTROLLED DOCUMENT.		DWN	M. SHIRK	04JUN03	TE Connectivity CAGE ASSEMBLY, 1X4 PRESS FIT, SFP
DIMENSIONS:		CHK	J. KOPPENHEFFER	06MAY04	
TOLERANCES UNLESS OTHERWISE SPECIFIED:		APVD	M. WALMSLEY	06MAY04	
mm		NAME			
0 PLC ± 1 PLC ±0.1 3 PLC ± 4 PLC ± ANGLES ±°		PRODUCT SPEC	108-1950		
MATERIAL		APPLICATION SPEC	114-13120		
FINISH		WEIGHT	-		
△1 △2		CUSTOMER DRAWING	SCALE	1:1	
		SIZE	CAGE CODE	DRAWING NO	RESTRICTED TO
		A100779	C=1658744		
		SHEET	1	OF	2
		REV			H

LOC	DIST	REV	DATE	BY	APPD
GP	00				

REVISIONS		DATE	BY	APPD
1	SEE SHEET 1			



1658744-1
 RECOMMENDED PCB
 CONFIGURATION
 SCALE 4:1



DETAIL U
 RECOMMENDED PT CONNECTOR LAYOUT
 4X INDIVIDUALLY
 SCALE 10:1

THIS DRAWING IS A CONTROLLED DOCUMENT.		OWN: M. SHIRK 04JUN03	TE Connectivity
DIMENSIONS: mm		CHK: J. KOPPENHEFFER 06MAY04	
TOLERANCES UNLESS OTHERWISE SPECIFIED:		APVD: M. WALMSLEY 06MAY04	NAME: CAGE ASSEMBLY, 1X4 PRESS FIT, SFP
9 PLC \pm 1 PLC ± 0.1 5 PLC \pm 4 PLC \pm ANGLES $\neq 90^\circ$		PRODUCT SPEC: 108-1950	SIZE: CAGE CODE DRAWING NO: A100779
MATERIAL: FINISH:		APPLICATION SPEC: 114-13120	RESTRICTED TO: -
		WEIGHT: CUSTOMER DRAWING	SCALE: 1:1 SHEET 2 OF 2 REV H