

6

5

4

3




2

1

**MATERIAL AND FINISH:**

Insulator: Polycarbonate, UL-94V-0 rated  
Contacts: Brass, Nickel plated

**ELECTRICAL SPECIFICATIONS:**

Current rating: 10 A   
Voltage rating: 250 VAC  
Current rating: 15 A   
Voltage rating: 250 VAC 

**ORDERING CODE:**

42R02-4                 
          1 2 3




**1 = TERMINAL OPTIONS**

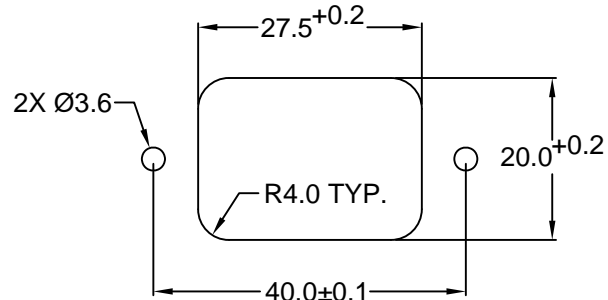
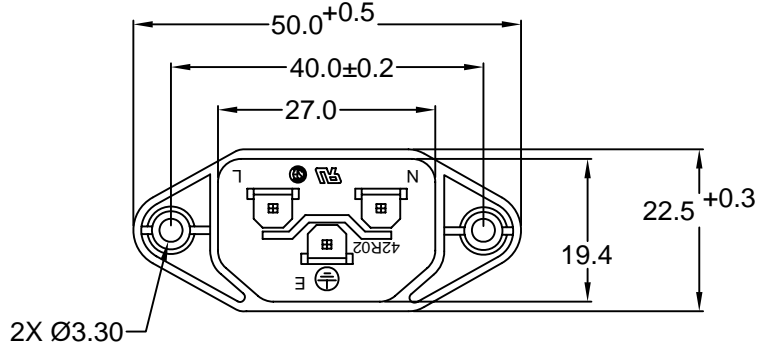
- 1 = .187(4.8)
- 2 = .250(6.3)

**2 = COLOR**

- 1 = BLACK
- 2 = GRAY

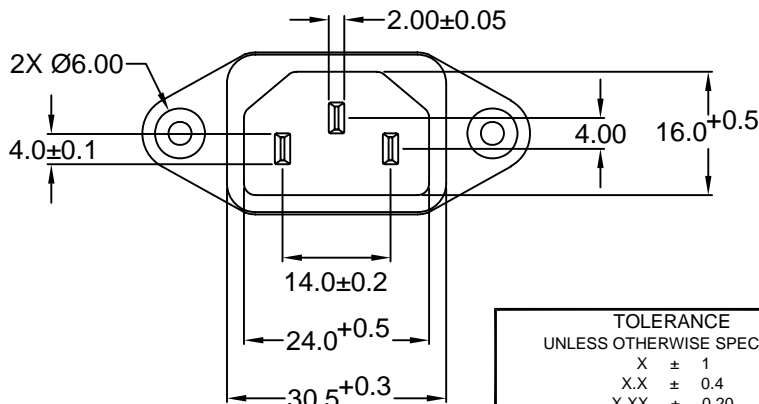
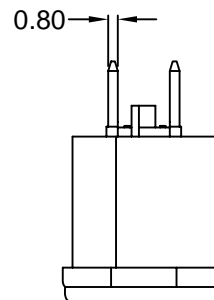
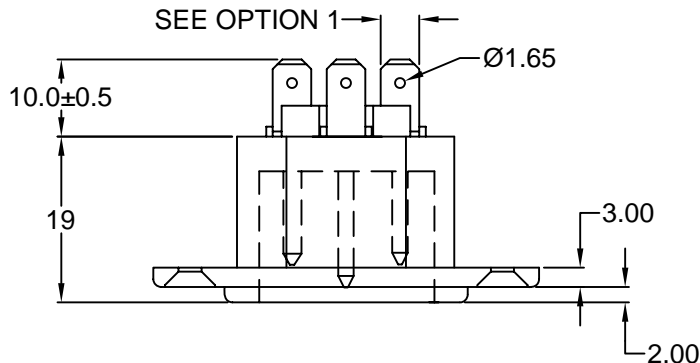
**3 = ELECTRICAL CIRCUIT CONFIGURATION**

- 1 = 15A 250V 120°C  2+GROUND
- 2 = 15A 250V 70°C  2+GROUND
- 4 = 15A 250V 70°C  2 POLE



**RECOMMENDED  
PANEL CUT-OUT**

SEE OPTION 1



**RoHS  
COMPLIANT**

|           |      |          |      |
|-----------|------|----------|------|
| REVISIONS | CHNG | CHECK    | APPR |
|           | DATE | 11/21/05 | A    |
| REV       | DATE | 11/21/05 | A    |
| CHNG      | ADD  | RoHS     | PB   |

|   |    |               |
|---|----|---------------|
| TOLERANCE<br>UNLESS OTHERWISE SPECIFIED |    |               |
| X                                       | ±  | 1             |
| X.X                                     | ±  | 0.4           |
| X.XX                                    | ±  | 0.20          |
| DRAWN BY                                | GQ | DATE: 8/6/01  |
| CHECK BY                                | TD | DATE: 8/13/01 |
| APPR BY                                 | PB | DATE: 8/13/01 |

|   |  |              |
|---|--|--------------|
| <b>Power Dynamics, Inc.</b>   |  |              |
| Phone: 973 560-0019 Whippany, New Jersey Fax: 973 560-0076                            |  |              |
| PART: IEC 60320 C14 APPL. INLET; QUICK CONNECT<br>TERMINALS; SIDE FLANGE, PANEL MOUNT |  |              |
| PART #: <b>42R02-4XXX</b>   |  | SHEET 1 of 1 |
| SIZE: A   | ALL DIMENSIONS FOR REFERENCE ONLY<br>DIMENSIONS ARE IN MILLIMETERS |              |
| SCALE: NTS  | REV: A   |              |