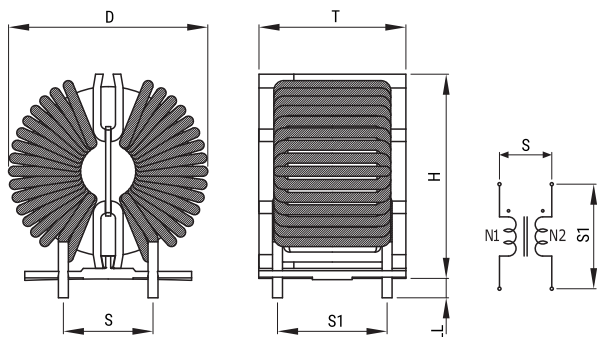


KEMET Part Number: SCR22-050-0R9A090J
(UALCA0R9A090J0)

KEMET, SCR22, AC Line Filters, Common Mode, 9000 uH



Dimensions

D	30.5mm MAX
T	23mm MAX
H	31.5mm MAX
LL	4mm +/-1.3mm
S	18mm NOM

Packaging Specifications

Packaging:	Tray
Packaging Quantity:	200
Weight:	33.7 g

General Information

Series:	SCR22
Style:	Through-Hole
Features:	High Impedance, Space Saving
RoHS:	Yes
Miscellaneous:	Temperature Rise Maximum: 70 K

Specifications

Voltage AC:	250 VAC/VDC
Voltage DC:	250 VDC
Inductance:	9 mH
Current:	5 A
Temperature Range:	-25/+120°C
DC Resistance:	55 mOhms