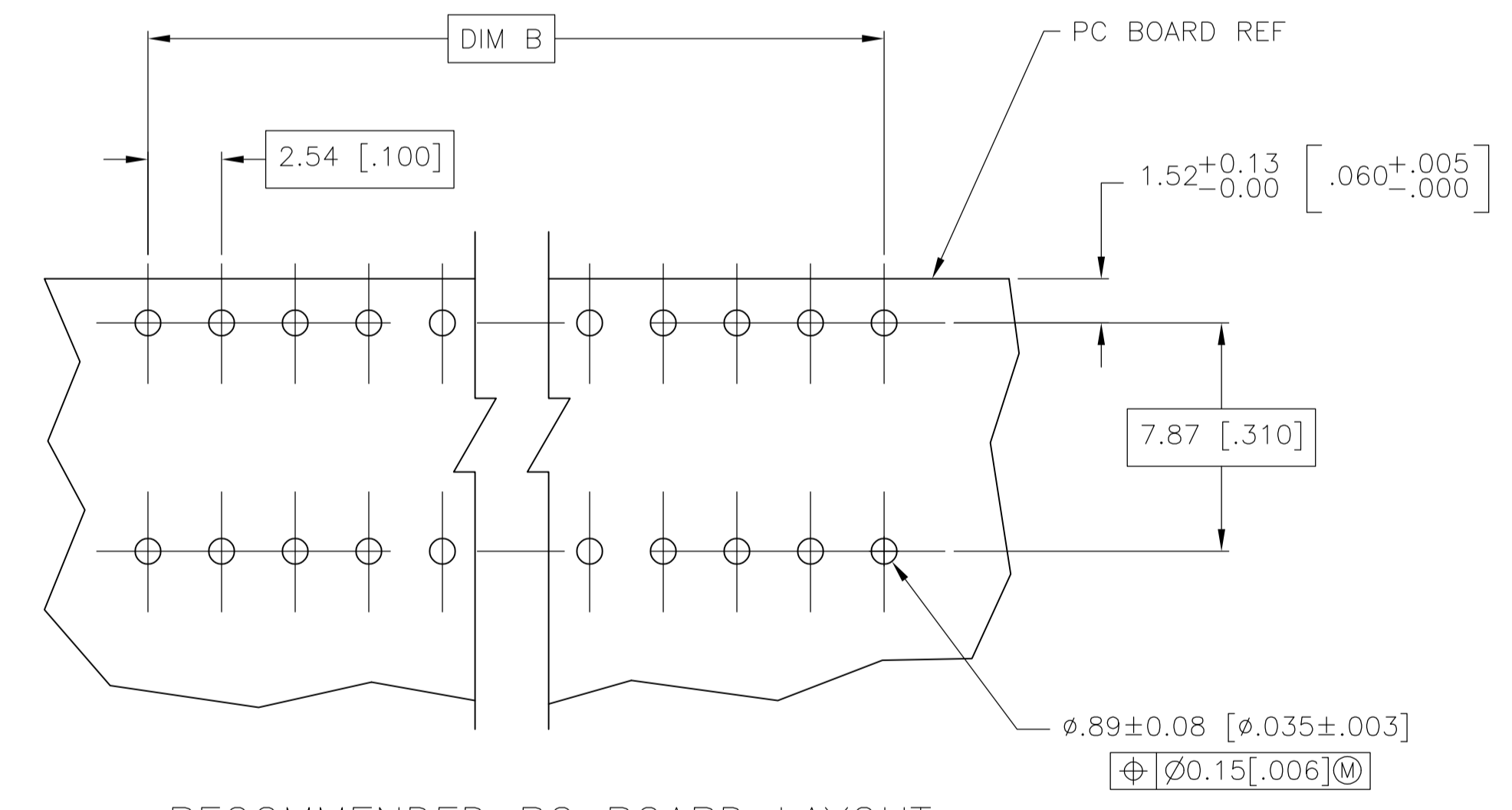
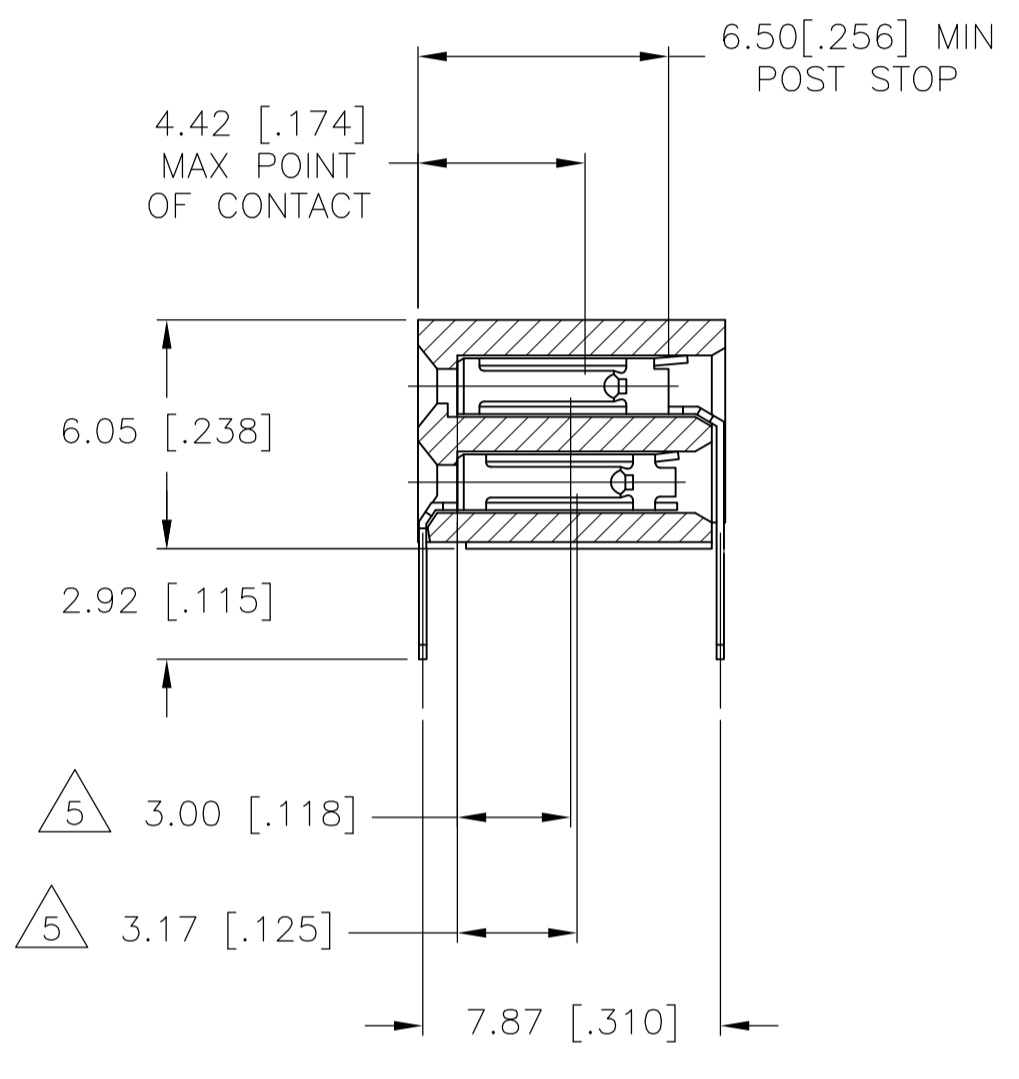
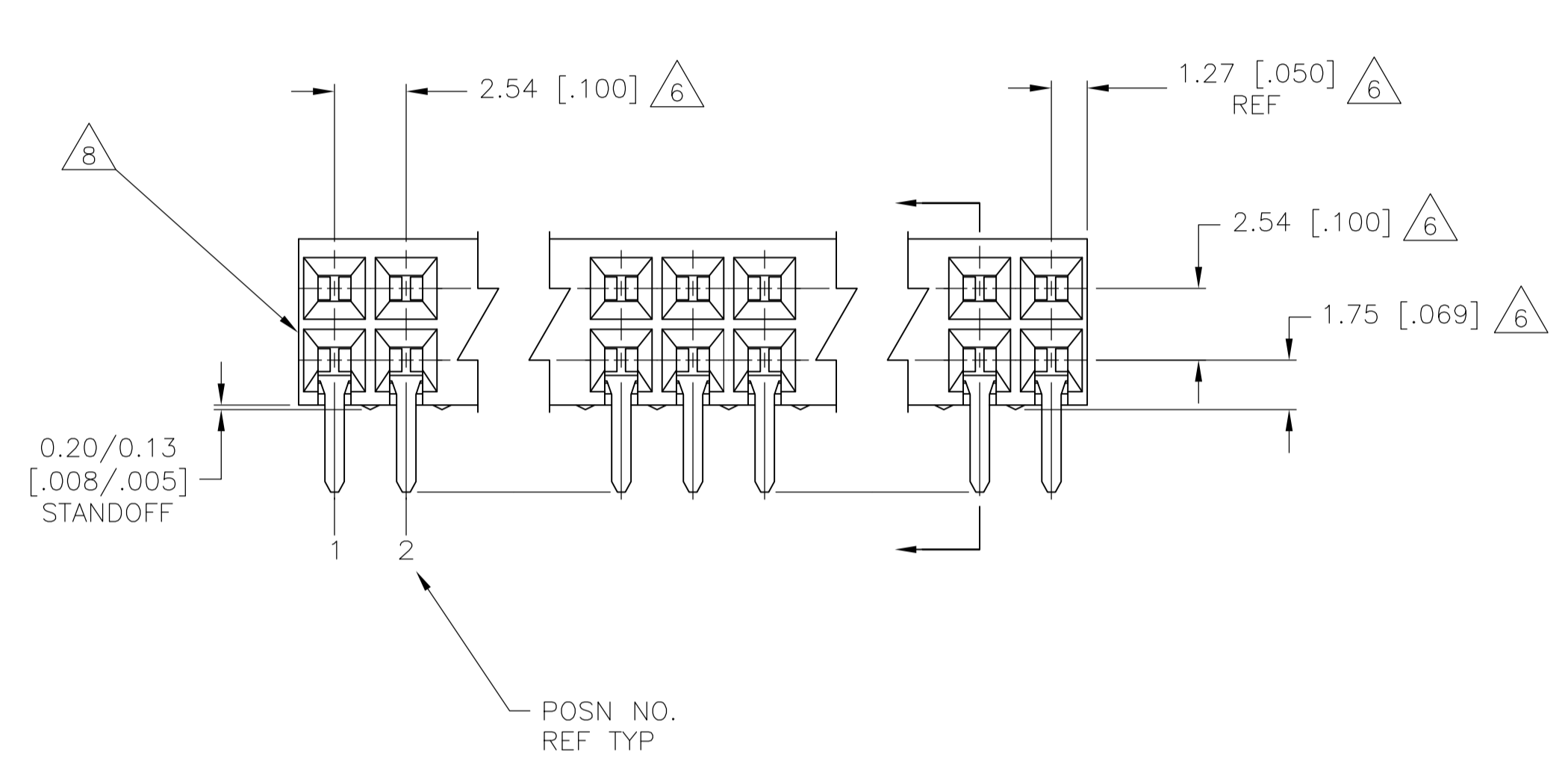
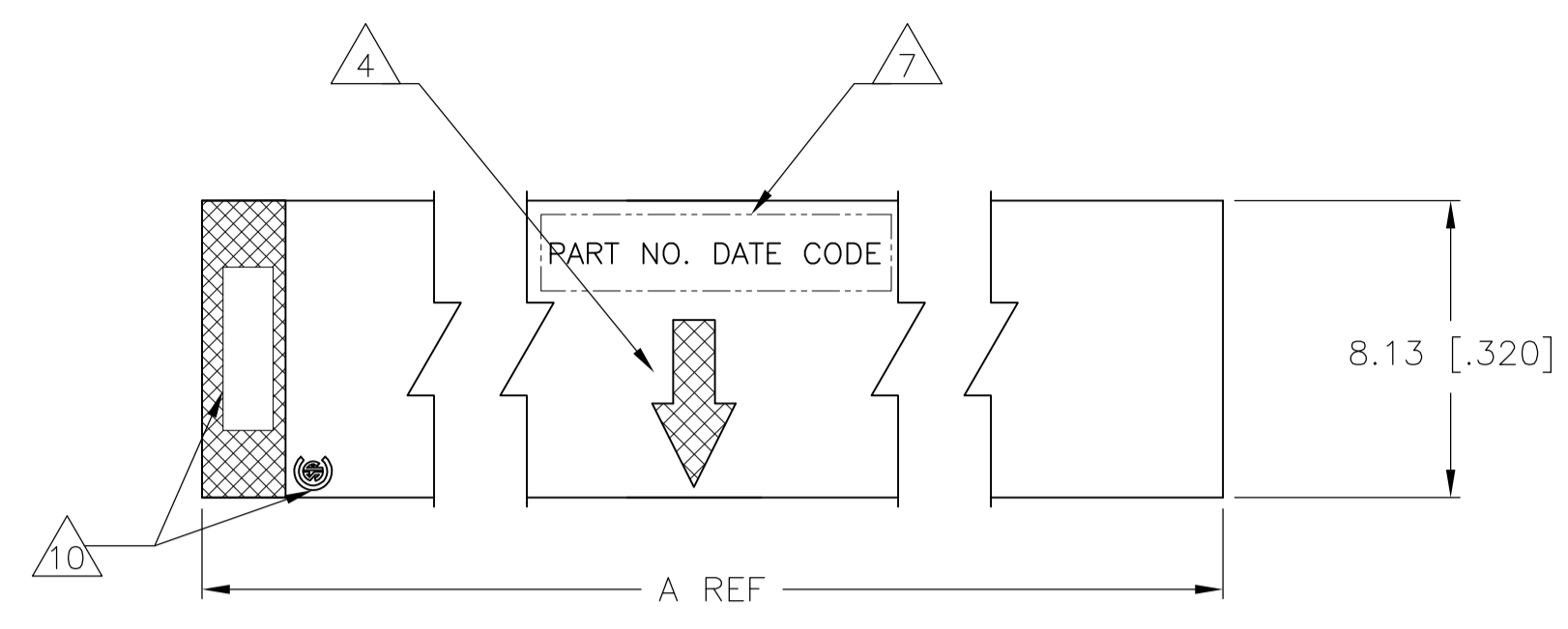


LOC		DIST		REVISIONS			
AD	00	F	LTR	DESCRIPTION	DATE	DMN	APVO
		Y4	REVISED	PER ECO-13-005565	29MAR13	KH	JO



RECOMMENDED PC BOARD LAYOUT

- 1 HOUSING MATERIAL: GLASS FILLED POLYESTER, COLOR- BLACK
- 2 CONTACT MATERIAL: PHOSPHOR BRONZE
- 3 CONTACT FINISH: 0.00254-0.00508[.000100-.000200] THK BRIGHT TIN-LEAD, ALL OVER 0.00127[.000050] NICKEL, ENTIRE CONTACT
- 4 MOLDED IN ARROW DESIGNATES THE MATING FACE OF THE CONNECTOR
- 5 POINT OF MEASUREMENT FOR PLATING THICKNESS OF CONTACT AREA
- 6 DIMENSIONS PERTAIN TO HOUSING CAVITY CENTERLINES
- 7 MARK PART NUMBER AND DATE CODE IN APPROXIMATE LOCATION SHOWN, EITHER END.
- 8 ALTERNATE LOCATION FOR DATE CODE FOR 4 AND 6 POSITION.
- 9 NO PART NUMBER MARKING REQUIRED FOR THIS PART.
- 10 TE LOGO AND CSA LOGO ARE MOLDED INTO HOUSING, THIS LOCATION.

POSN	CL	ROW	NO. OF POSN	ASSEMBLY PART NUMBER
2.54	[.100]		4	6-102084-4
5.08	[.200]		6	6-102084-3
7.62	[.300]		8	6-102084-2
10.16	[.400]		10	6-102084-1
12.70	[.500]		12	6-102084-0
15.24	[.600]		14	5-102084-9
17.78	[.700]		16	5-102084-8
20.32	[.800]		18	5-102084-7
22.86	[.900]		20	5-102084-6
25.40	[1.000]		22	5-102084-5
27.94	[1.100]		24	5-102084-4
30.48	[1.200]		26	5-102084-3
33.02	[1.300]		28	5-102084-2
35.56	[1.400]		30	5-102084-1
38.10	[1.500]		32	5-102084-0
40.64	[1.600]		34	4-102084-9
43.18	[1.700]		36	4-102084-8
45.72	[1.800]		38	4-102084-7
48.26	[1.900]		40	4-102084-6
50.8	[2.000]		42	4-102084-5
53.34	[2.100]		44	4-102084-4
55.88	[2.200]		46	4-102084-3
58.42	[2.300]		48	4-102084-2
60.96	[2.400]		50	4-102084-1
63.50	[2.500]		52	4-102084-0
66.04	[2.600]		54	3-102084-9
68.58	[2.700]		56	3-102084-8
71.12	[2.800]		58	3-102084-7
73.66	[2.900]		60	3-102084-6
76.20	[3.000]		62	3-102084-5
78.74	[3.100]		64	3-102084-4
81.28	[3.200]		66	3-102084-3
83.82	[3.300]		68	3-102084-2
86.36	[3.400]		70	3-102084-1
88.90	[3.500]		72	3-102084-0
91.44	[3.600]		74	2-102084-9
93.98	[3.700]		76	2-102084-8
96.52	[3.800]		78	2-102084-7
99.06	[3.900]		80	2-102084-6
101.16	[4.000]		82	2-102084-5
104.14	[4.100]		84	2-102084-4
106.68	[4.200]		86	2-102084-3
109.22	[4.300]		88	2-102084-2
111.76	[4.400]		90	2-102084-1
114.30	[4.500]		92	2-102084-0
116.84	[4.600]		94	1-102084-9
119.38	[4.700]		96	1-102084-8
121.92	[4.800]		98	1-102084-7
124.46	[4.900]		100	1-102084-6
127.00	[5.000]		102	1-102084-5
129.54	[5.100]		104	1-102084-4
132.08	[5.200]		106	1-102084-3
134.62	[5.300]		108	1-102084-2
137.16	[5.400]		110	1-102084-1
139.70	[5.500]		112	1-102084-0
142.24	[5.600]		114	102084-9
144.78	[5.700]		116	102084-8
147.32	[5.800]		118	102084-7
149.86	[5.900]		120	102084-6
152.40	[6.000]		122	102084-5
154.94	[6.100]		124	102084-4
157.48	[6.200]		126	102084-3
160.02	[6.300]		128	102084-2
162.56	[6.400]		130	102084-1

THIS DRAWING IS A CONTROLLED DOCUMENT.

DR: R BROWN 03JUN02
CHK: J OLSON 03JUN02
APVO: J OLSON 03JUN02

NAME: AMPMODU MOD II RECEPTACLE ASSEMBLY, HORIZONTAL, .100 CL, 2 ROW, CLOSED-ENTRY, SHORT POINT OF CONTACT, END-TO-END STACKABLE

PRODUCT SPEC: APPLICATION SPEC

SIZE: A1
WEIGHT: 100779
SCALE: 5:1

NO. OF POSN: 130
ASSEMBLY PART NUMBER: 102084

CUSTOMER DRAWING

RESTRICTED TO: 1 OF 1 SHEET REV Y4