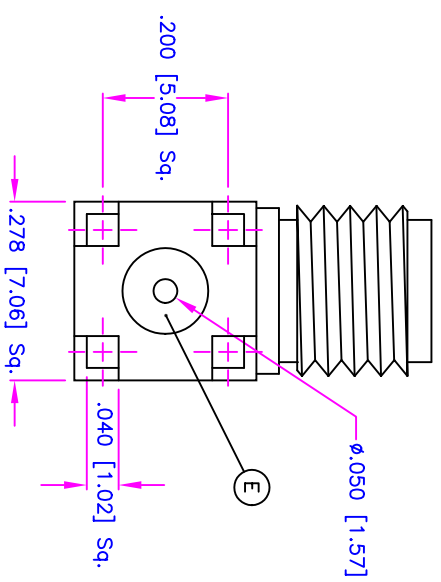
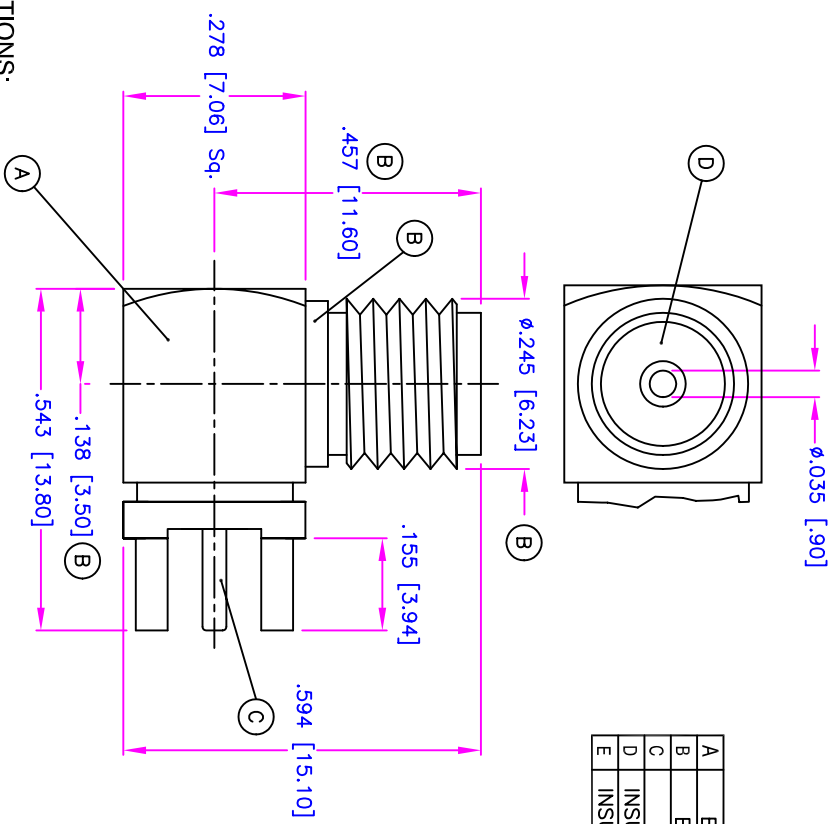


Rev	Description	Date	Appr
0	Released	07/07/97	
A	Add Specification	02/06/98	O.C.
B	Add Dimension	05/15/98	O.C.

A	BODY	BRASS	1
B	BODY	BRASS	1
C	PIN	BRASS	1
D	INSULATOR	TEFLON	1
E	INSULATOR	TEFLON	1



**SPECIFICATIONS:**

**MATERIAL:**

Housing: Brass, nickel or gold plated per requirement  
 Insulator: Teflon  
 Contacts: Beryllium Copper, gold-plated

**ELECTRICAL:**

Frequency range: 0–15 GHz  
 Voltage rating: 500 Volts peak  
 Impedance: 50 ohm  
 Contact resistance: Center: 1.5 mohm – Outer: 1.0 mohm  
 Insulation resistance: 5000 Mohm min @ 1500 VDC between adjacent contacts (75°F and 50% R.H.)  
 Dielectric withstanding voltage: 1000 VAC min rms  
 RF leakage: –90 dB min @ 2–3 GHz

# ADAM TECH

Dimension in IN [MM]

DRAWN : T.D.

DESCRIPTION:  
 Right Angle  
 SMA Jack

Tolerance  
 (Unless Otherwise Specified)  
 XX ± .01  
 .XXX ± .005

APPR : O.C.

PART NUMBER:  
 RF2-03-T-00-50

Date: 07/07/97

SCALE : NTS

SHEET 1  
 OF 1 SHEETS

LOG REF. REV.  
 B