

### Basic features

|                            |                                     |
|----------------------------|-------------------------------------|
| <b>Approval/Conformity</b> | CE<br>EAC<br>cURus<br>cULus<br>WEEE |
| <b>Basic standard</b>      | EN 61204                            |
| <b>Series</b>              | Standard                            |
| <b>Short description</b>   | Switching power supply              |
| <b>Version</b>             | DIN rail                            |

### Electrical connection

|                   |                            |
|-------------------|----------------------------|
| <b>Connection</b> | 0.25...2.5 mm <sup>2</sup> |
|-------------------|----------------------------|

### Electrical data

|  |   |
|--|---|
| <b>Derating</b>                        | -1.0%/°C -10°C>T>-20°C<br>-1.67 %/°C > +40 °C / 115 VAC<br>-2.5 %/°C > +50 °C / 230 VAC |
| <b>Efficiency typ.</b>                 | 89 %  |
| <b>Hold-up time</b>                    | ≥ 16 ms typ. at 115 V AC<br>≥ 60 ms typ. at 230 V AC                                    |
| <b>Input fuse</b>                      | F 5 AH  |
| <b>Input voltage</b>                   | 100...240 V AC, 1-phase   |
| <b>Input voltage</b>                   | 85...264 V AC   |
| <b>Input/output insulation voltage</b> | 3000 V AC   |
| <b>Inrush current</b>                  | ≤ 50 A at 230 V AC  |
| <b>Isolation resistance</b>            | ≥ 100 MOhm  |
| <b>Output capacity max.</b>            | 75 W  |
| <b>Output voltage</b>                  | 24 VDC  |
| <b>Output voltage, tolerance</b>       | +1 %  |
| <b>Protection class</b>                | I   |
| <b>Rated input current</b>             | 1.4 A at 115 V AC<br>0.9 A at 230 V AC  |
| <b>Rated output current</b>            | 3.12 A  |
| <b>Setting range</b>                   | 21.6...26 V DC  |
| <b>Settling time</b>                   | 2 ms  |
| <b>Turn-on time max.</b>               | 1 s   |
| <b>Working frequency</b>               | 47...63 Hz  |

Switching Power Supplies  
**BAE PS-XA-1W-24-025-016**  
Order Code: **BAE0111**

# BALLUFF

## Environmental conditions

|                         |  |
|-------------------------|--|
| Ambient temperature     | -20...70 °C  |
| Contamination scale     | 2  |
| Cooling                 | Free convection  |
| EN 60068-2-27, Shock    | Half-sinus: 11 ms (10 G), X-axis   |
| EN 60068-2-6, Vibration | Sinus waves: 10Hz to 500Hz, acceleration 19.6m/s <sup>2</sup> (2g peak) 10 min/cycle, 60 min, X-axis |
| IP rating               | IP20   |
| Over temperature        | protected  |
| Relative humidity       | 20...95 %, non-condensing  |

|                              |             |
|------------------------------|-------------|
| Storage temperature          | -40...85 °C |
| Temperature coefficient max. | ±0.03 %/K   |

## Material

|                  |         |
|------------------|---------|
| Housing material | Plastic |
|------------------|---------|

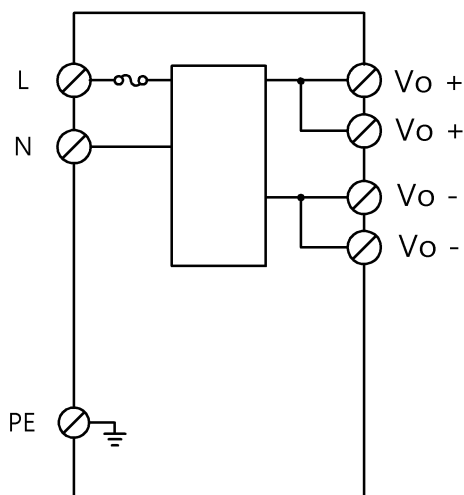
## Mechanical data

|               |                     |
|---------------|---------------------|
| Dimension     | 27 x 123.6 x 102 mm |
| Mounting part | DIN rail mount      |
| Weight        | 0.22 kg             |

## Remarks

Values measured at +25 °C and full load.

## Wiring Diagrams



L