

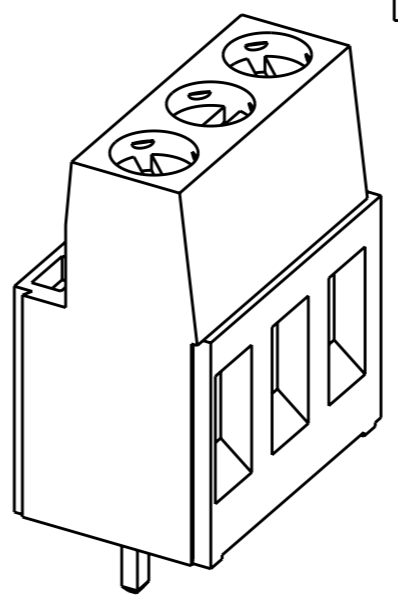
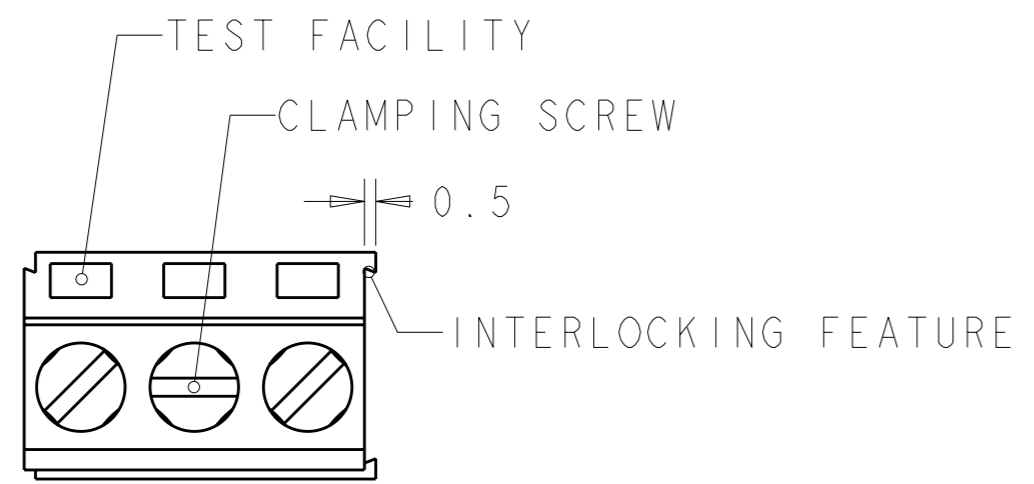
THIS DRAWING IS UNPUBLISHED. RELEASED FOR PUBLICATION 20

© COPYRIGHT 20 BY TYCO ELECTRONICS CORPORATION. ALL RIGHTS RESERVED.

LOC FT DIST 0

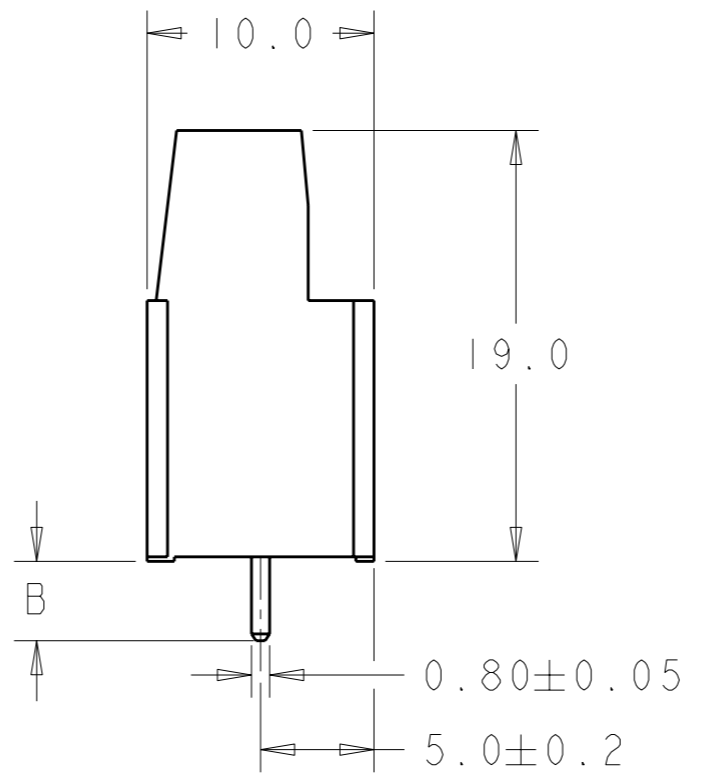
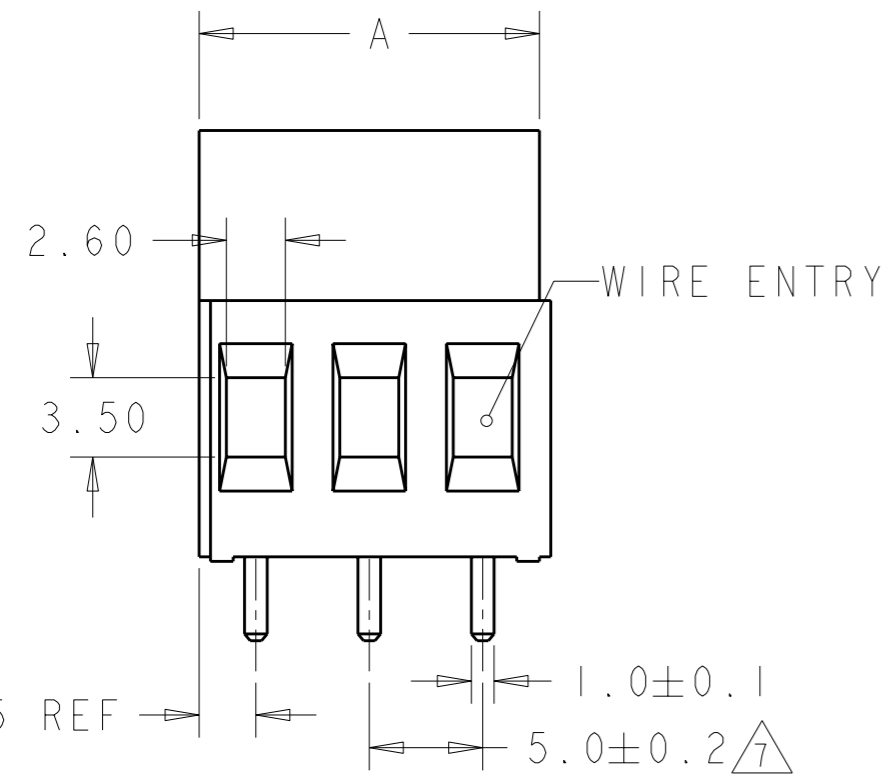
REVISIONS

P	LTR	DESCRIPTION	DATE	DWN	APVD
	D4	REVISED PER ECO-09-028171	22DEC2009	HMR	CR

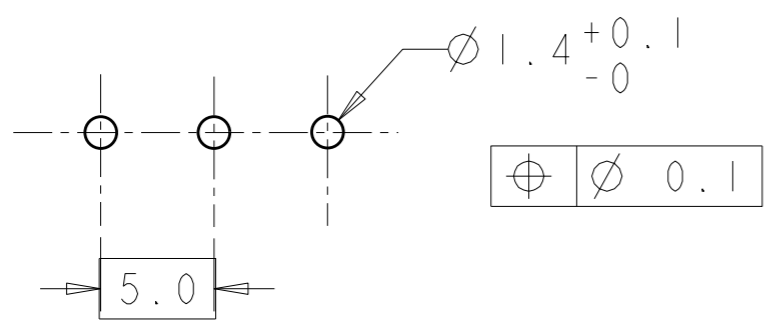


282856-3 AS SHOWN

COLOR	DIM. B	DIM. A	N° OF POS.	PART NUMBER
BLACK	7.0	10	2	2-282856-8
GREEN	7.0	10	2	2-282856-7
	4.5	10	2	2-282856-6
	3.5	125	25	2-282856-5
	3.5	120	24	2-282856-4
	3.5	115	23	2-282856-3
	3.5	110	22	2-282856-2
	3.5	105	21	2-282856-1
	3.5	100	20	2-282856-0
	3.5	95	19	1-282856-9
	3.5	90	18	1-282856-8
	3.5	85	17	1-282856-7
	3.5	80	16	1-282856-6
	3.5	75	15	1-282856-5
	3.5	70	14	1-282856-4
	3.5	65	13	1-282856-3
	3.5	60	12	1-282856-2
	3.5	55	11	1-282856-1
	3.5	50	10	1-282856-0
	3.5	45	9	282856-9
	3.5	40	8	282856-8
	3.5	35	7	282856-7
	3.5	30	6	282856-6
	3.5	25	5	282856-5
	3.5	20	4	282856-4
	3.5	15	3	282856-3
GREEN	3.5	10	2	282856-2



RECOMMENDED PC BOARD LAYOUT



THIS DRAWING IS A CONTROLLED DOCUMENT FOR TYCO ELECTRONICS CORPORATION. IT IS SUBJECT TO CHANGE AND THE CONTROLLING ENGINEERING ORGANIZATION SHOULD BE CONTACTED FOR THE LATEST REVISION.

DIMENSIONS:	TOLERANCES UNLESS OTHERWISE SPECIFIED:
mm	0 PLC ±.3
	1 PLC ±.25
	2 PLC ±.25
	3 PLC ±.25
	4 PLC ±.25
	ANGLES ±2
MATERIAL	FINISH

DWN	23AUG2001
E. ZANOLINI	
CHK	23AUG2001
D. BIEVENOUR	
APVD	23AUG2001
D. BIEVENOUR	
PRODUCT SPEC	108-20166
APPLICATION SPEC	114-20079
WEIGHT	-
CUSTOMER DRAWING	

**Tyco Electronics** Tyco Electronics  
Harrisburg, PA 17105-3608

NAME: **TERMINAL BLOCK PCB MOUNT SIDE ENTRY WIRE, STACKING W/INTERLOCK, 5mm PITCH**

SIZE	CAGE CODE	DRAWING NO	RESTRICTED TO
A3	00779	C-282856	-


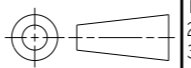
SCALE: 3:1 SHEET 1 OF 2 REV D4

THIS DRAWING IS UNPUBLISHED. RELEASED FOR PUBLICATION 20  
 © COPYRIGHT 20 BY TYCO ELECTRONICS CORPORATION. ALL RIGHTS RESERVED.

LOC	DIST	REVISIONS			
P	LTR	DESCRIPTION	DATE	DWN	APVD
		SEE SHEET 1	-	-	-

- 1 MATERIALS AND FINISH  
 HOUSING: PA 6-6, UL 94-V0, COLOR SEE TABLE.  
 CLAMP: BRASS, NICKEL PLATED.  
 TERMINAL: BRASS, TIN PLATED.  
 CLAMPING SCREW: M3, BRASS, NICKEL PLATED.
- 2 SUITABLE FOR 1,6-2,4mm PC BOARD THICKNESS.
- 3 END-TO-END STACKABLE W/INTERLOCK WITHOUT LOSS OF CENTERLINE SPACING.
- 4 WIRE SIZE RANGE  
 SOLID WIRE: 0,03-4mm<sup>2</sup> (11AWG).  
 STRANDED WIRE: 0,03-2,5mm<sup>2</sup> (13AWG).
- 5 RECOGNIZED UNDER THE COMPONENT PROGRAM OF UNDERWRITERS LABORATORIES INC. FILE N° E60677.
- 6 IMQ CERTIFICATE WITH SURVEILLANCE IN CONFORMITY WITH IEC 998-1/998-2-1.

- 7 NOT CUMULATIVE TOLERANCE.
- 8 PRELIMINARY PART NUMBER

<small>THIS DRAWING IS A CONTROLLED DOCUMENT FOR TYCO ELECTRONICS CORPORATION          IT IS SUBJECT TO CHANGE AND THE CONTROLLING ENGINEERING ORGANIZATION          SHOULD BE CONTACTED FOR THE LATEST REVISION.</small>		DWN 23AUG2001 E. ZANOLINI		 Tyco Electronics Harrisburg, PA 17105-3608	
DIMENSIONS: mm		TOLERANCES UNLESS OTHERWISE SPECIFIED: 0 PLC ±- 1 PLC ±.2 2 PLC ±.15 3 PLC ±- 4 PLC ±- ANGLES ±2		CHK 23AUG2001 D. BIEVENOUR	
		APVD 23AUG2001 D. BIEVENOUR		NAME TERMINAL BLOCK PCB MOUNT SIDE ENTRY WIRE, STACKING W/INTERLOCK, 5mm PITCH	
MATERIAL -		FINISH -		PRODUCT SPEC - APPLICATION SPEC - WEIGHT -	
		CUSTOMER DRAWING		SIZE A3 CAGE CODE 00779 DRAWING NO C-282856 RESTRICTED TO -	
				SCALE 3:1 SHEET 2 OF 2 REV D4	