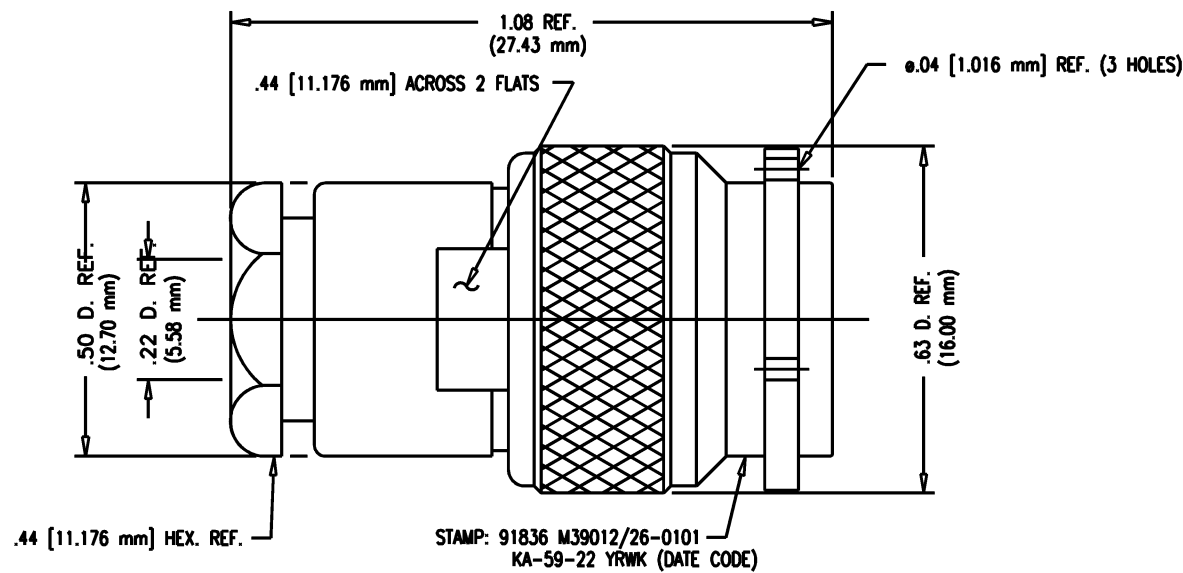


DASH NO.	M CODE	MADE FROM
----------	--------	-----------

# GSD

M39012/26-0101

REVISIONS	
ISSUE	CHANGES
13	CN 32498 C KH 09/21/90
14	CN 38289 C REDRAWN TML 05/10/01
15	CN 38846 E BDH 05/09/03
16	CN 39708 C PMC 11/20/06
17	CN 39744 C HVN 01/02/07



**NOTES:**

- FOR USE RG-58, 142, 223, & 400/U CABLE.
- FOR CABLING INSTRUCTIONS SEE 3-70.
- INTERFACE PER MIL-STD-348, FIG. 313-1.
- MATERIALS:  
INSULATORS: TEFLON, ASTM-D4894  
GASKETS: SIL. RUB., A-A-59588  
C-RING: PHOS. BRONZE, ASTM-B135  
OUTER CONTACT: BER. COP., ASTM-B196  
ALL OTHER PARTS: BRASS, ASTM-B16
- FINISHES:  
CENTER CONTACT: HARD GOLD PLATE PER ASTM-B488  
ALL OTHER METAL PARTS: SILVER PLATE PER ASTM-B700
- ELECTRICAL CHARACTERISTICS:  
NOMINAL IMPEDANCE: 50 OHMS  
VOLTAGE RATING: 500 VRMS  
FREQUENCY RANGE: DC TO 11 GHz

KA-59-22 SD

SCALE 4:1

APPROX SURFACE AREA

KA-59-22

USED ON

REF:

PLUG, TNC

DRAWN	JHP	DATE	03/21/77
-------	-----	------	----------

DESIGN		DATE	
--------	--	------	--

APPR.	SAJ	DATE	04/14/71
-------	-----	------	----------



ROCK HILL, SOUTH CAROLINA 29730

# GSD

M39012/26-0101